

DAVOS-DF

PV-1-BUILD

2004.11.04

DATE	CHANGE NO.	REV

DRAWER	EE	DATE	POWER	DATE	INVENTEC TITLE DAVOS-DF
DESIGN					
CHECK					
RESPONSIBLE					
SIZE =	3	VER :			SIZE CODE DOC. NUMBER REV
FILE NAME :	XXXX-XXXXXX-XX				A3 CS PC9603 A01
P/N	XXXXXXXXXXXX				SHEET 1 OF 65

TABLE OF CONTENTS

PAGE	
5- DC& BATTERY CHARGER	
6- SELECT & BATTERY CONN	
7- SYSTEM POWER(3V/5V)	
8- D/B SYSTEM POWER(+VCCP)	
9- SYSTEM POWER(+V2.5/+V1.5A)	
10- D/B SYSTEM POWER(+V1.25S)	
11- CPU POWER(VCC_CORE)	
12- BLANK	
13- POWER(SLEEP)	
14- POWER(SEQUENCE)	
15- CLOCK_GENERATOR	
16- DOTHAN-1	
17- DOTHAN-2	
18- DOTHAN-3	
19- DOTHAN-4	
20- THERMAL&FAN CONTROLLER	
21- ALVISO-1	
22- ALVISO-2	
23- ALVISO-3	
24- ALVISO-4	
25- ALVISO-5	
26- DDR-DIMM0	

PAGE	
27- DDR-DIMM1	
28- DDR-DAMPING RESISTORS	
29- DDR-TERMINAL RESISTORS	
30- CRT& MINI DIN	
31- LCD CONN	
32- ICH6-1	
33- ICH6-2	
34- ICH6-3	
35- ICH6-4	
36- ICH6-5	
37- KBC	
38- FWH	
39- INT. KB CONN & TOUCHPAD	
40- SUPER I/O	
41- SERIAL PORT & IR	
42- PARALLEL PORT	
43- AC97 CODEC	
44- EQ, MIC & HP JACK	
45- AUDIO AMP	
46- HDD CONN	
47- OPTICAL DRIVE CONN	
48- USB CONN	

PAGE	
49- CARDBUS CONTROLL	
50- 6 IN 1 SLOT DAUGHTOR BOARD	
51- 1394 JACK	
52- PC CARD SLOT	
53- MINIPCI CONN	
54- 10/100/1000 NIC	
55- BLANK	
56- NIC-TRANSFORMER	
57- DOCKING CONN	
58-MDC CONN	
59- BLUETOOTH CONN	
60- LEDS	
61- SWITCH & BUTTON	
62- SCREW	
63- BUTTON & LED DAUGHTER BOARD	
64- CABLES	
65- CHANGE LIST	

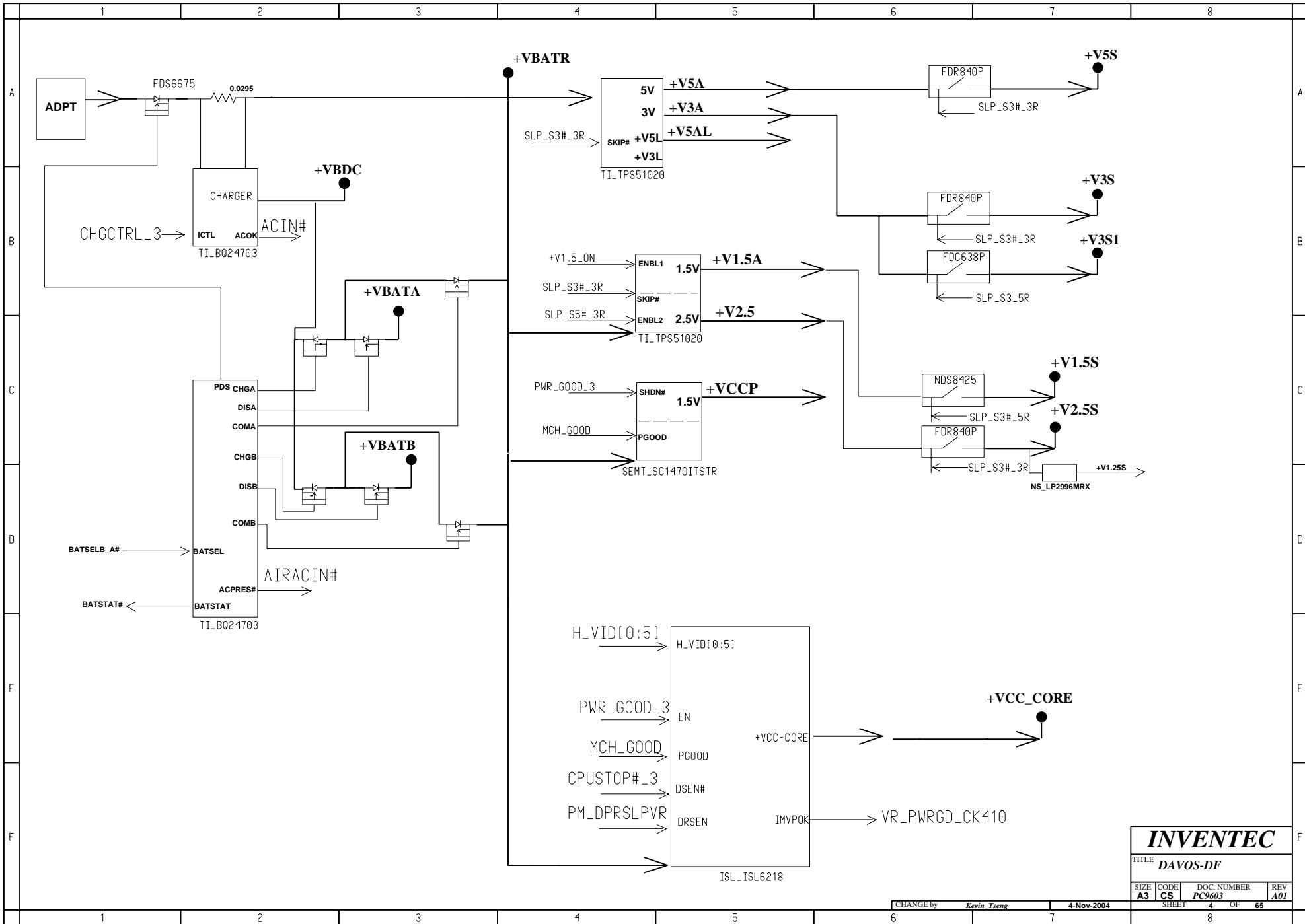
INVENTEC

TITLE *DAVOS-DF*

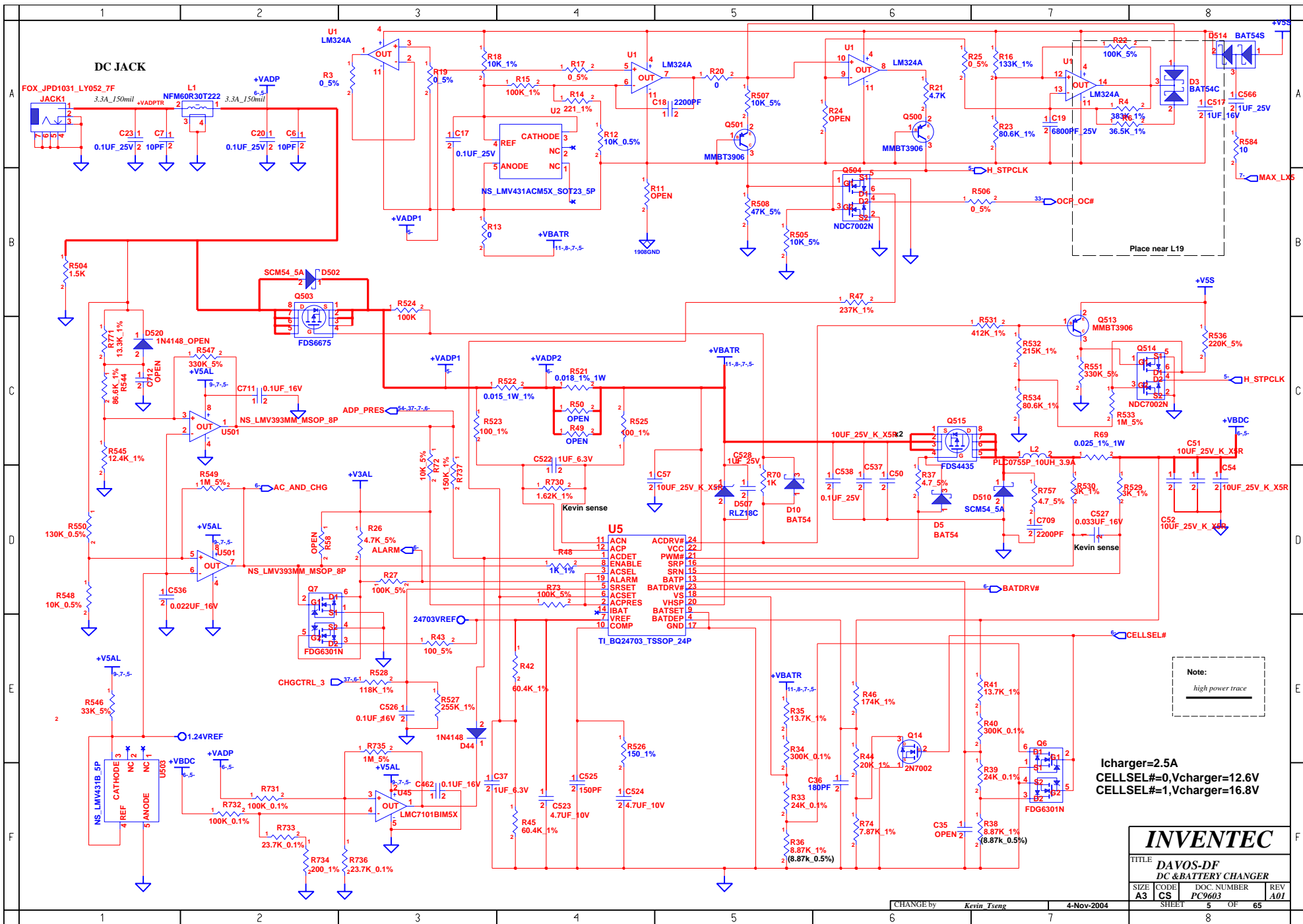
SIZE A3	CODE CS	DOC. NUMBER <i>PC9603</i>	REV <i>A01</i>
-------------------	-------------------	------------------------------	-------------------

CHANGE by *Kevin Tseng* 4-Nov-2004

SHEET 2 OF 65



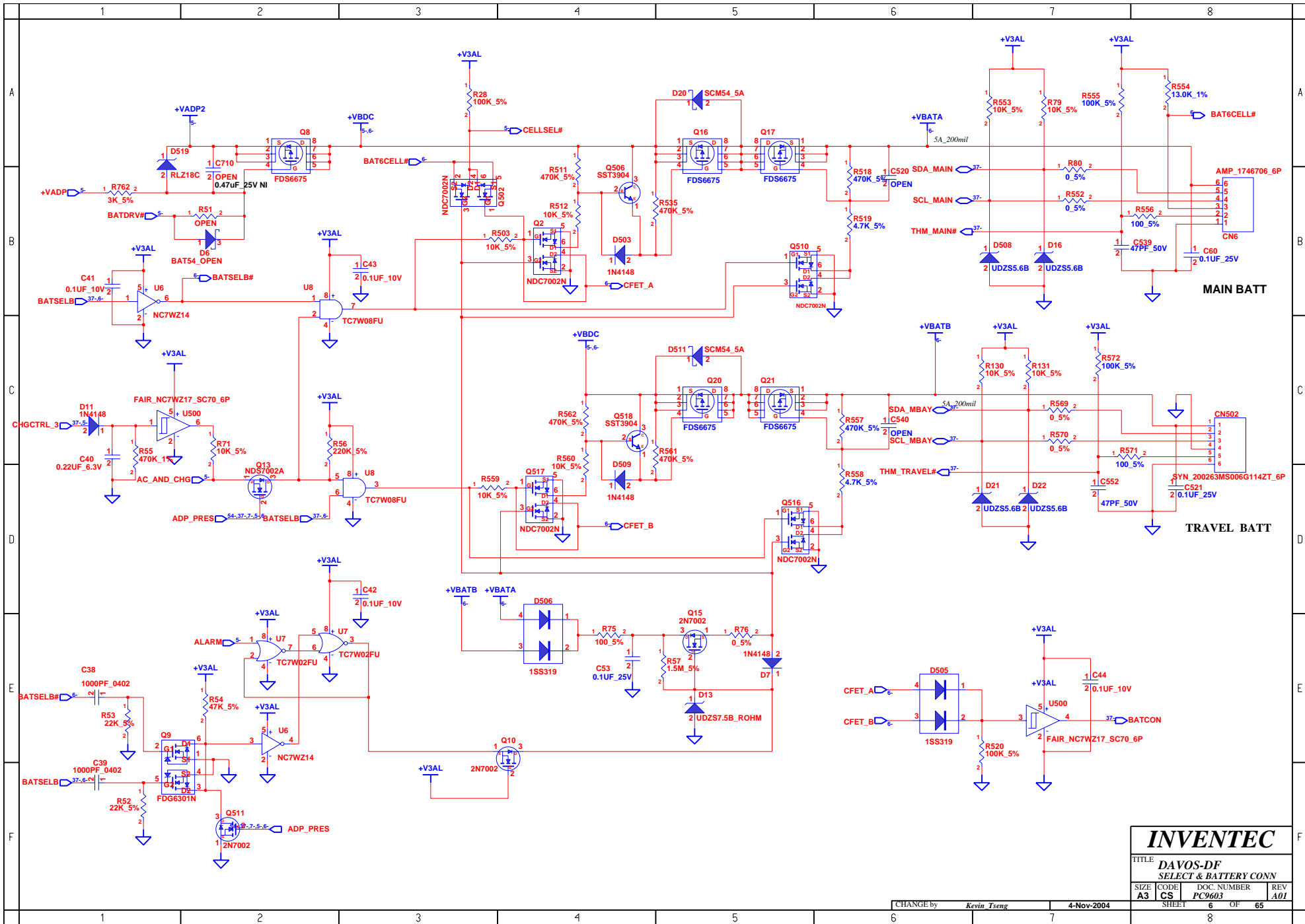
INVENTEC			
TITLE DAVOS-DF			
SIZE A3	CODE CS	DOC. NUMBER PC9603	REV A01
CHANGE by <i>Kevin Tseng</i>		4-Nov-2004	
SHEET		OF	
4		65	



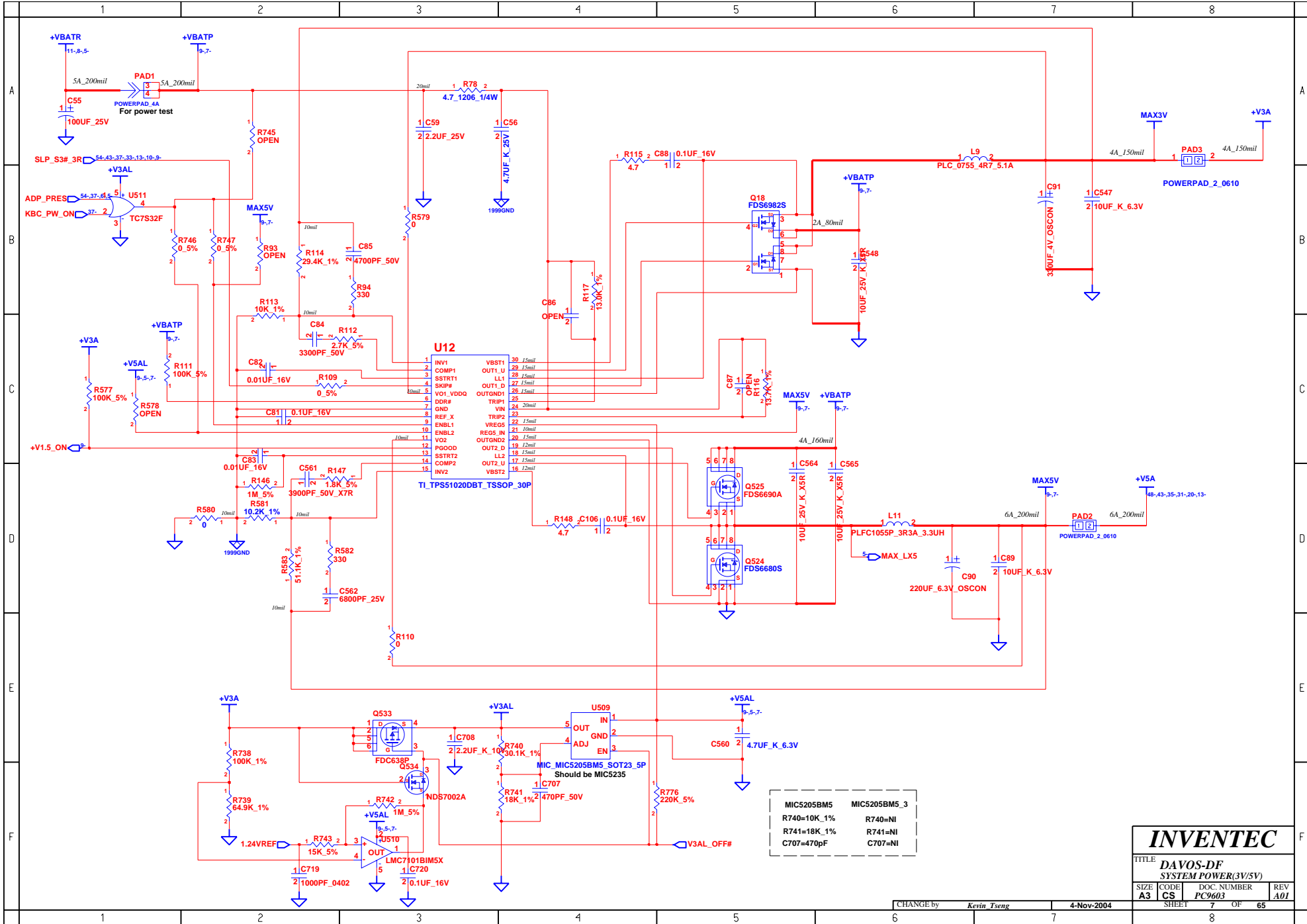
Icharger=2.5A
 CELLSEL#=0,Vcharger=12.6V
 CELLSEL#=1,Vcharger=16.8V

INVENTEC

TITLE			
DAVOS-DF			
DC & BATTERY CHARGER			
SIZE	CODE	DOC. NUMBER	REV
A3	CS	PC9603	A01



INVENTEC					
TITLE DAVOS-DF SELECT & BATTERY CONN					
SIZE A3	CODE CS	DOC. NUMBER PC9603	REV A01		
CHANGE by <i>Kevin Tseng</i>			4-Nov-2004		
SHEET 6			OF 65		



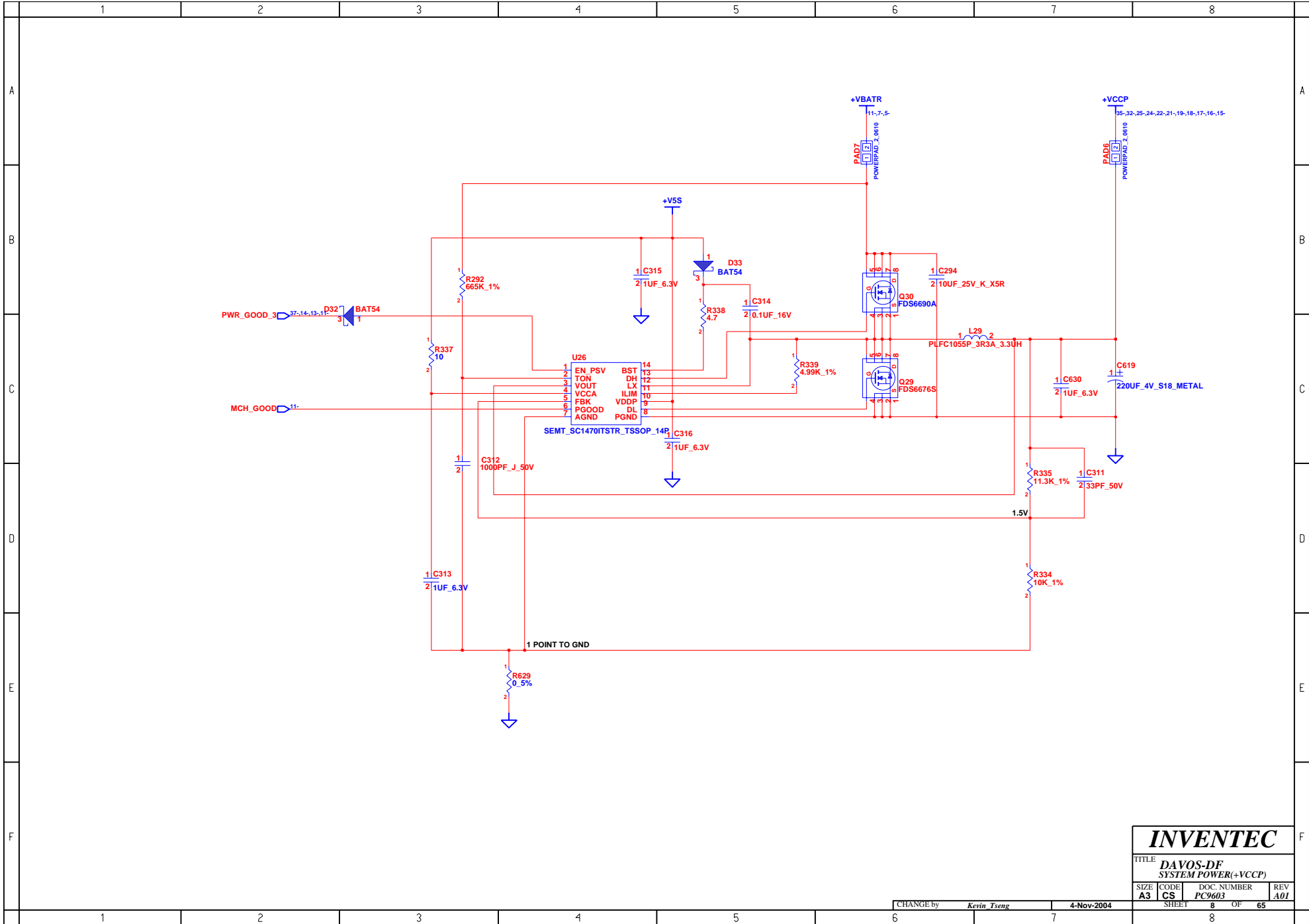
MIC5205BMS	MIC5205BMS_3
R740=10K_1%	R740=NI
R741=18K_1%	R741=NI
C707=470pF	C707=NI

INVENTEC

TITLE			
DAVOS-DF SYSTEM POWER(3V/5V)			
SIZE	CODE	DOC. NUMBER	REV
A3	CS	PC9603	A01

CHANGE by Kevin Tseng 4-Nov-2004

SHEET 7 OF 65



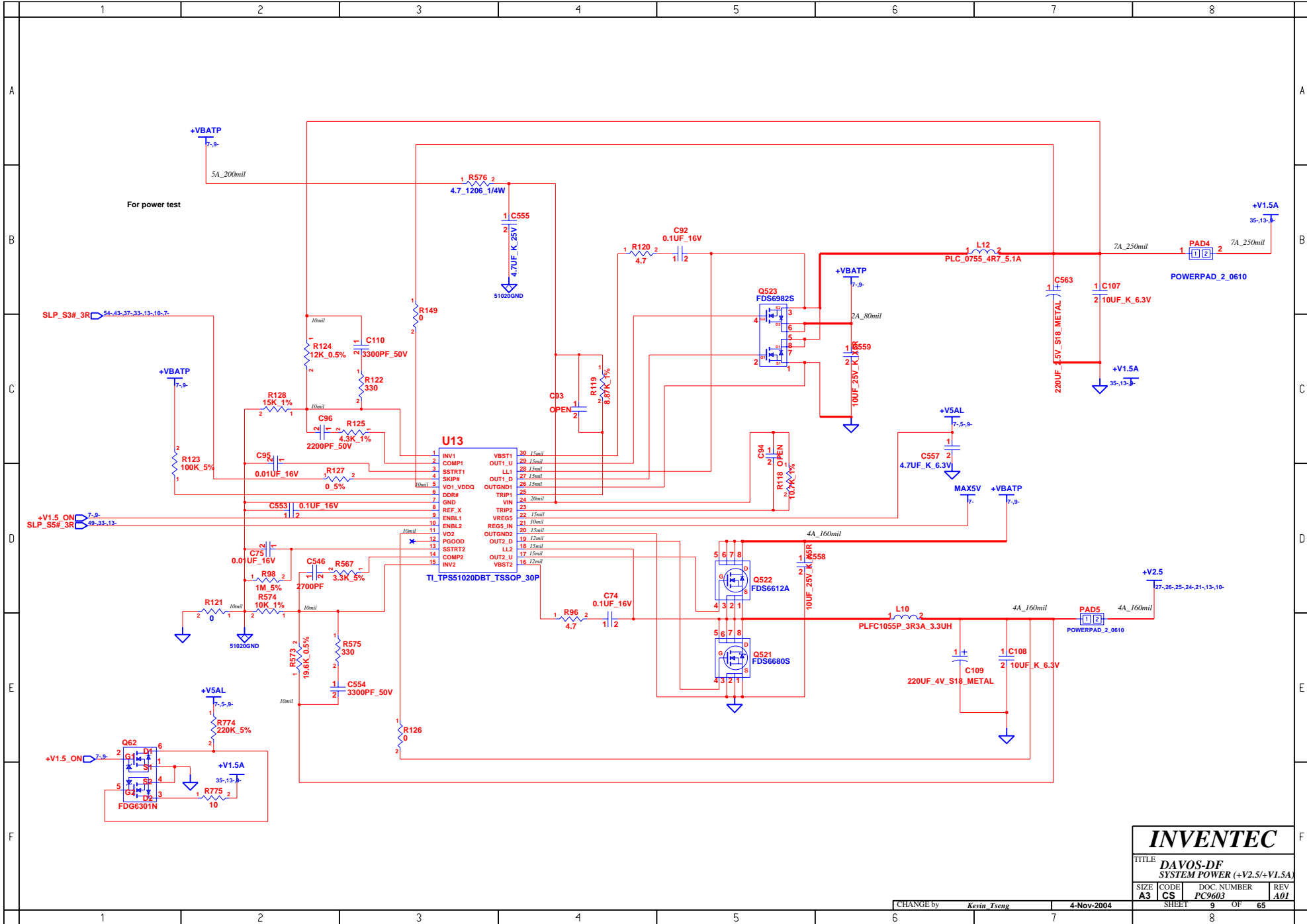
INVENTEC

TITLE
**DAVOS-DF
 SYSTEM POWER(+VCCP)**

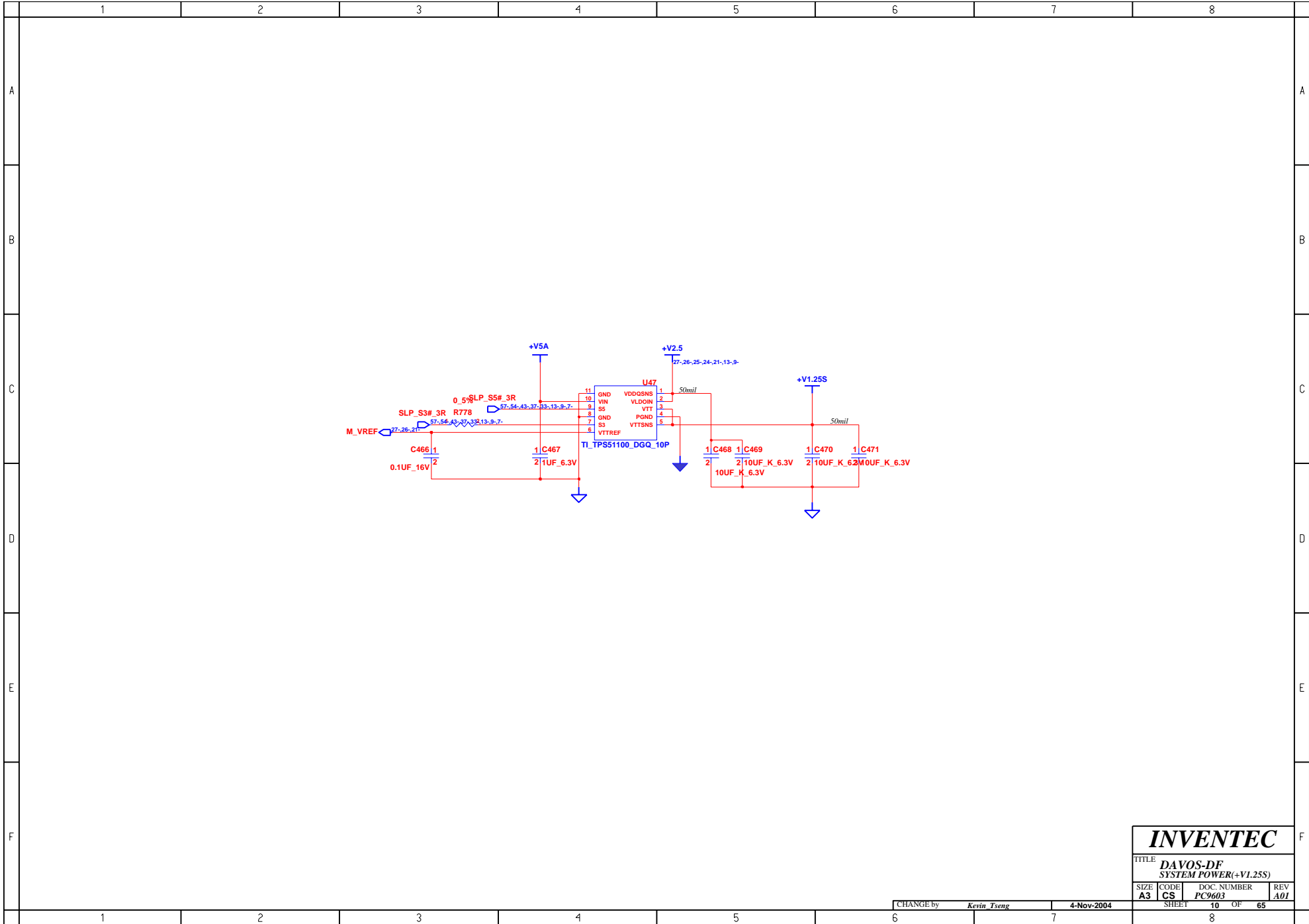
SIZE A3	CODE CS	DOC. NUMBER PC9603	REV A01
-------------------	-------------------	------------------------------	-------------------

CHANGE by *Kevin Tseng* 4-Nov-2004

SHEET 8	OF 65
-------------------	-----------------



INVENTEC				
TITLE DAVOS-DF SYSTEM POWER (+V2.5/+V1.5A)				
SIZE A3	CODE CS	DOC. NUMBER PC9603	REV A01	



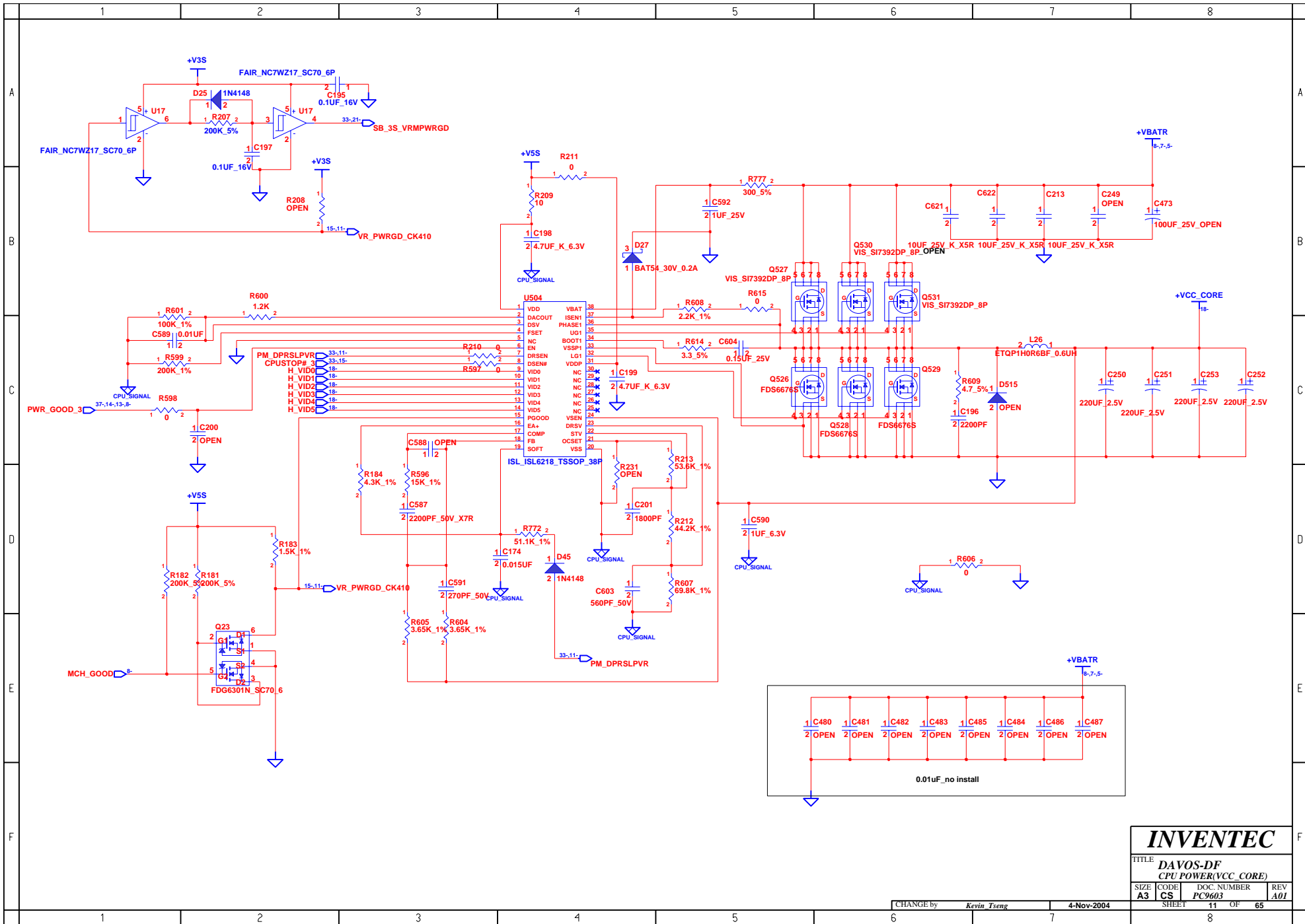
INVENTEC

TITLE
**DAVOS-DF
 SYSTEM POWER(+V1.25S)**

SIZE A3	CODE CS	DOC. NUMBER PC9603	REV A01
-------------------	-------------------	------------------------------	-------------------

CHANGE by *Kevin Tseng* 4-Nov-2004

SHEET 10 OF 65



INVENTEC

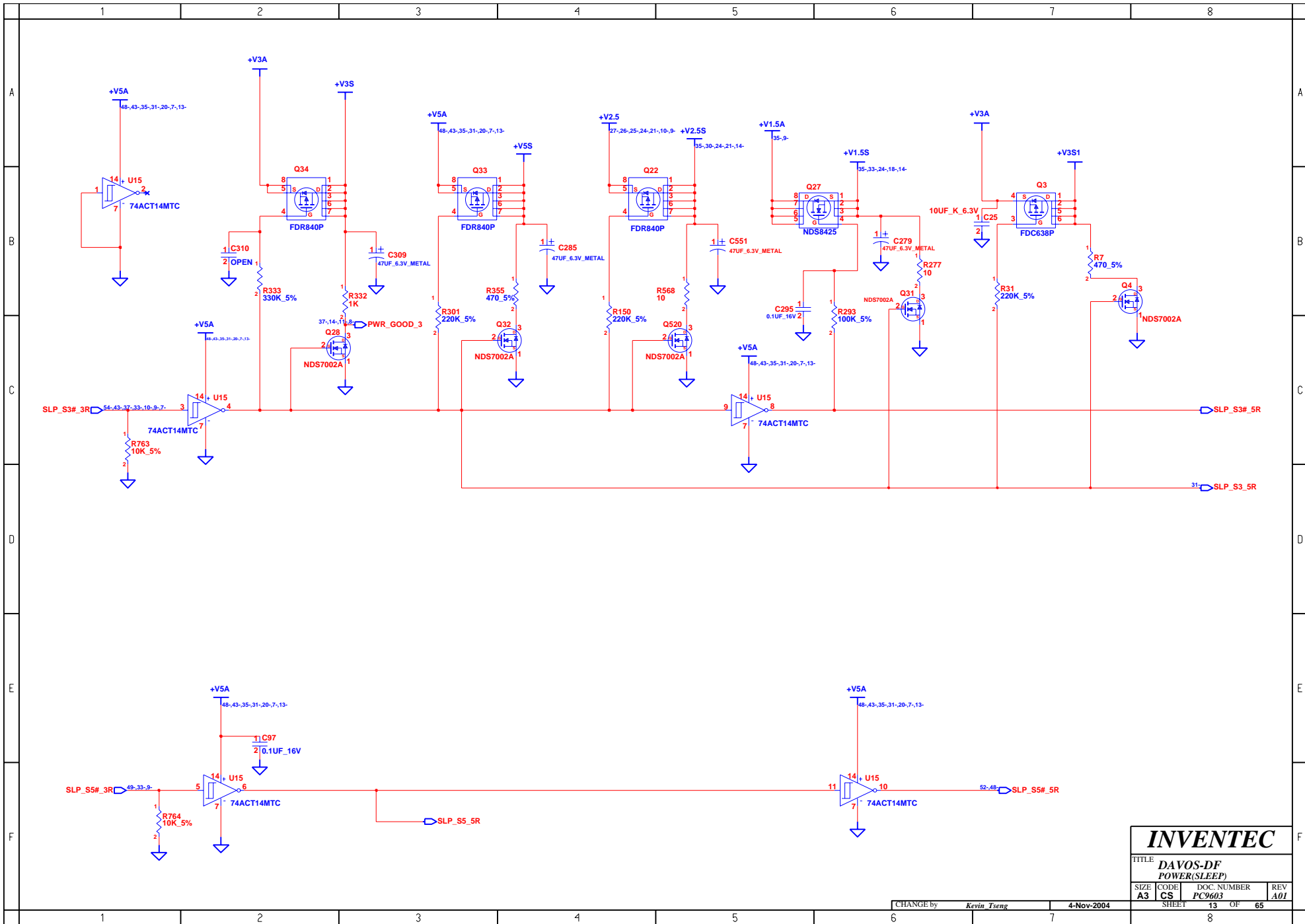
TITLE
DAVOS-DF
CPU POWER(VCC_CORE)

SIZE	CODE	DOC. NUMBER	REV
A3	CS	PC9603	A01

CHANGE by	Kevin Tseng	4-Nov-2004
SHEET	11	OF 65

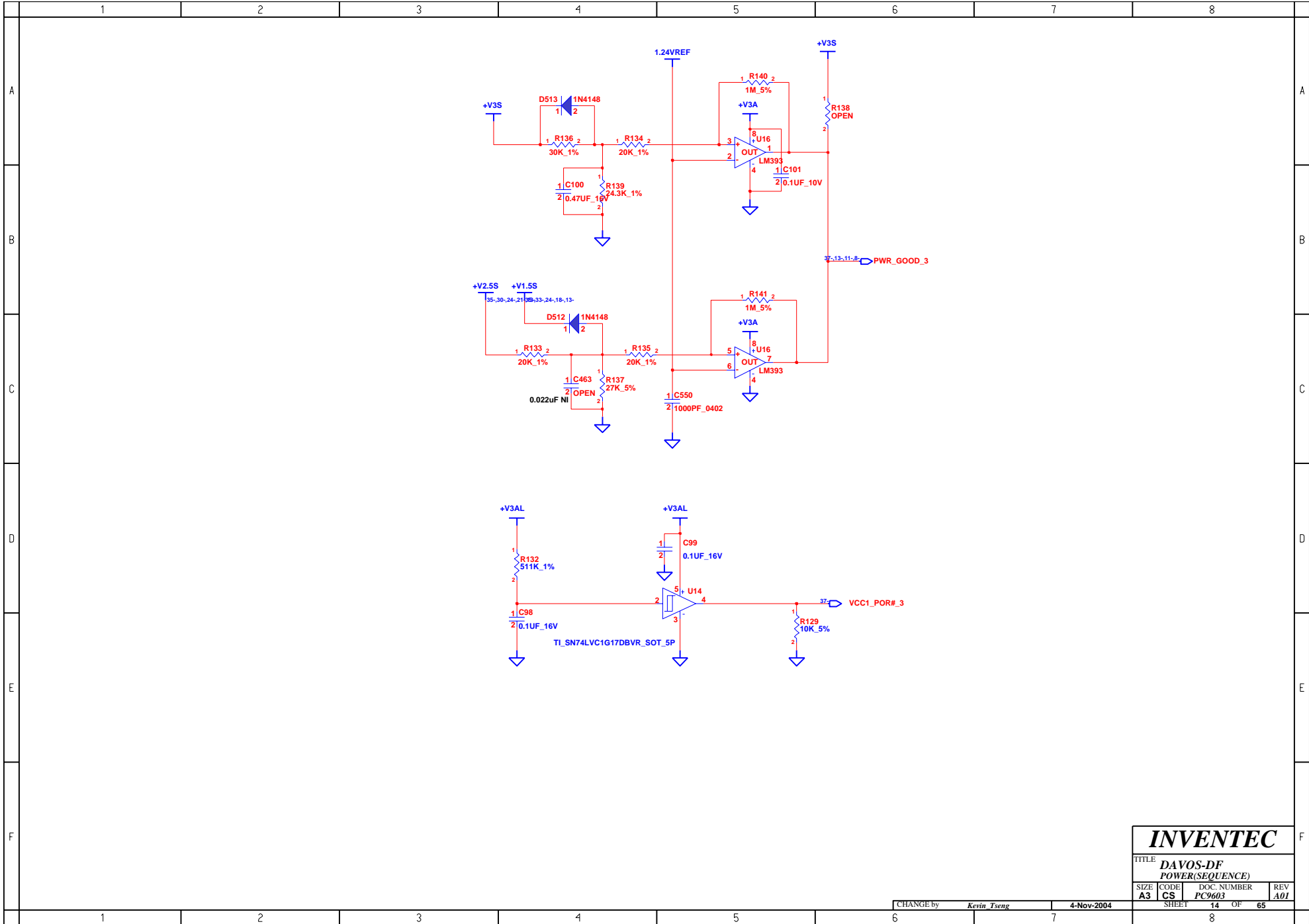
BLANK

INVENTEC			
TITLE DAVOS-DF			
SIZE	CODE	DOC. NUMBER	REV
A3	CS	PC9603	A01
CHANGE by <i>Kevin Tseng</i>		4-Nov-2004	SHEET 12 OF 65



INVENTEC

TITLE			
DAVOS-DF POWER(SLEEP)			
SIZE	CODE	DOC. NUMBER	REV
A3	CS	PC9603	A01

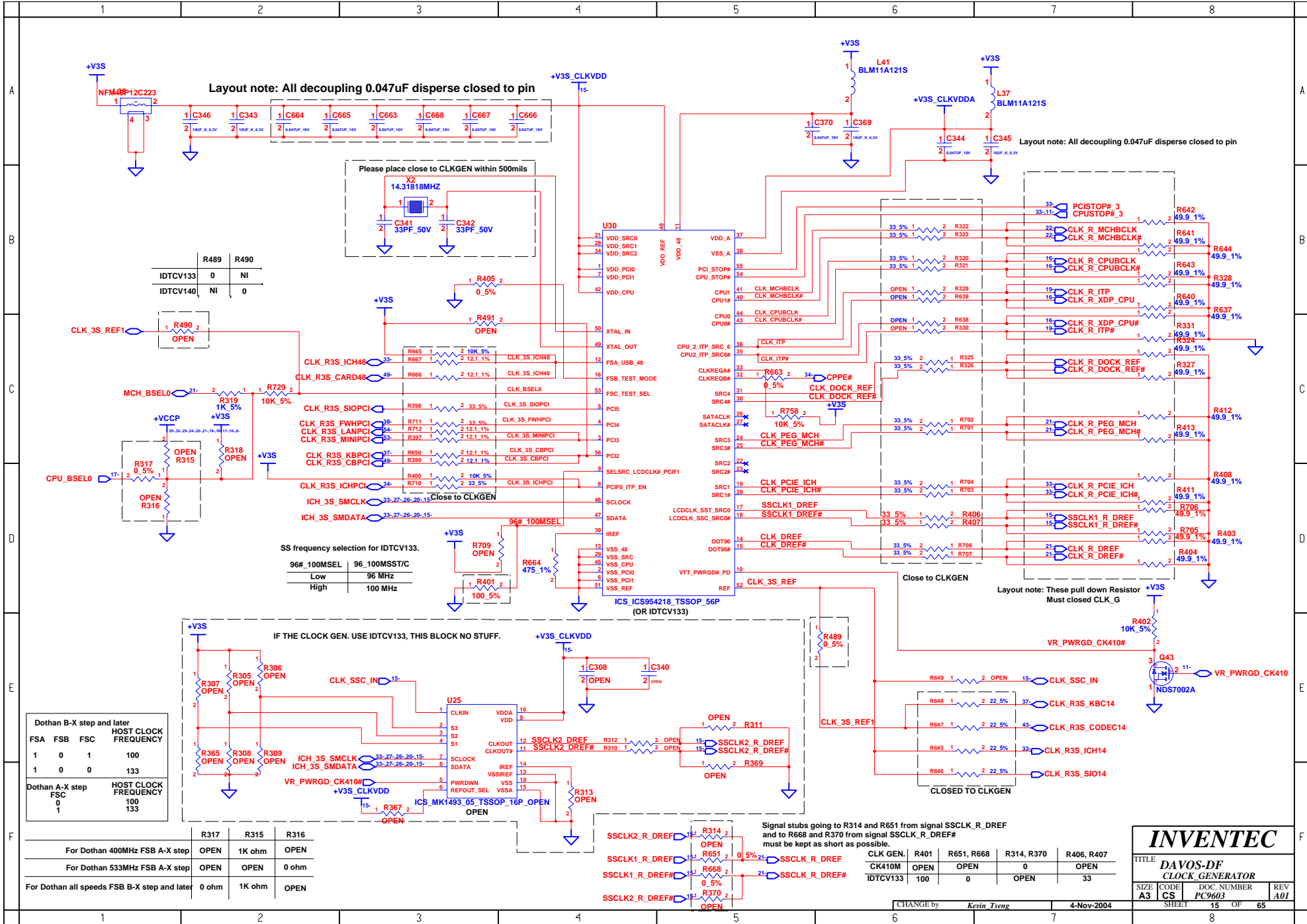


INVENTEC

TITLE			
DAVOS-DF			
POWER(SEQUENCE)			
SIZE	CODE	DOC. NUMBER	REV
A3	CS	PC9603	A01

CHANGE by Kevin Tseng 4-Nov-2004

SHEET 14 OF 65



Layout note: All decoupling 0.047uF disperse closed to pin

Layout note: All decoupling 0.047uF disperse closed to pin

Please place close to CLKGEN within 500mils

Layout note: These pull down Resistor Must closed CLK_G

Close to CLKGEN

Close to CLKGEN

CLOSED TO CLKGEN

Signal stubs going to R314 and R651 from signal SSCLK_R_DREF# and to R668 and R370 from signal SSCLK2_R_DREF# must be kept as short as possible.

R489	R490
IDTCV133	0 NI
IDTCV140	NI 0

SS frequency selection for IDTCV133.	
96#_100MSEL	96_100MSS/T.C
Low	96 MHz
High	100 MHz

IF THE CLOCK GEN. USE IDTCV133, THIS BLOCK NO STUFF.

Dothan B-X step and later			
FSA	FSB	FSC	HOST CLOCK FREQUENCY
1	0	1	100
1	0	0	133
Dothan A-X step			
FSA	FSB	FSC	HOST CLOCK FREQUENCY
0	0	0	100
0	0	1	133

	R317	R315	R316
For Dothan 400MHz FSB A-X step	OPEN	1K ohm	OPEN
For Dothan 533MHz FSB A-X step	OPEN	OPEN	0 ohm
For Dothan all speeds FSB B-X step and later	0 ohm	1K ohm	OPEN

CLK GEN.	R401	R651, R668	R314, R370	R406, R407
CK410M	OPEN	OPEN	0	OPEN
IDTCV133	100	0	OPEN	33

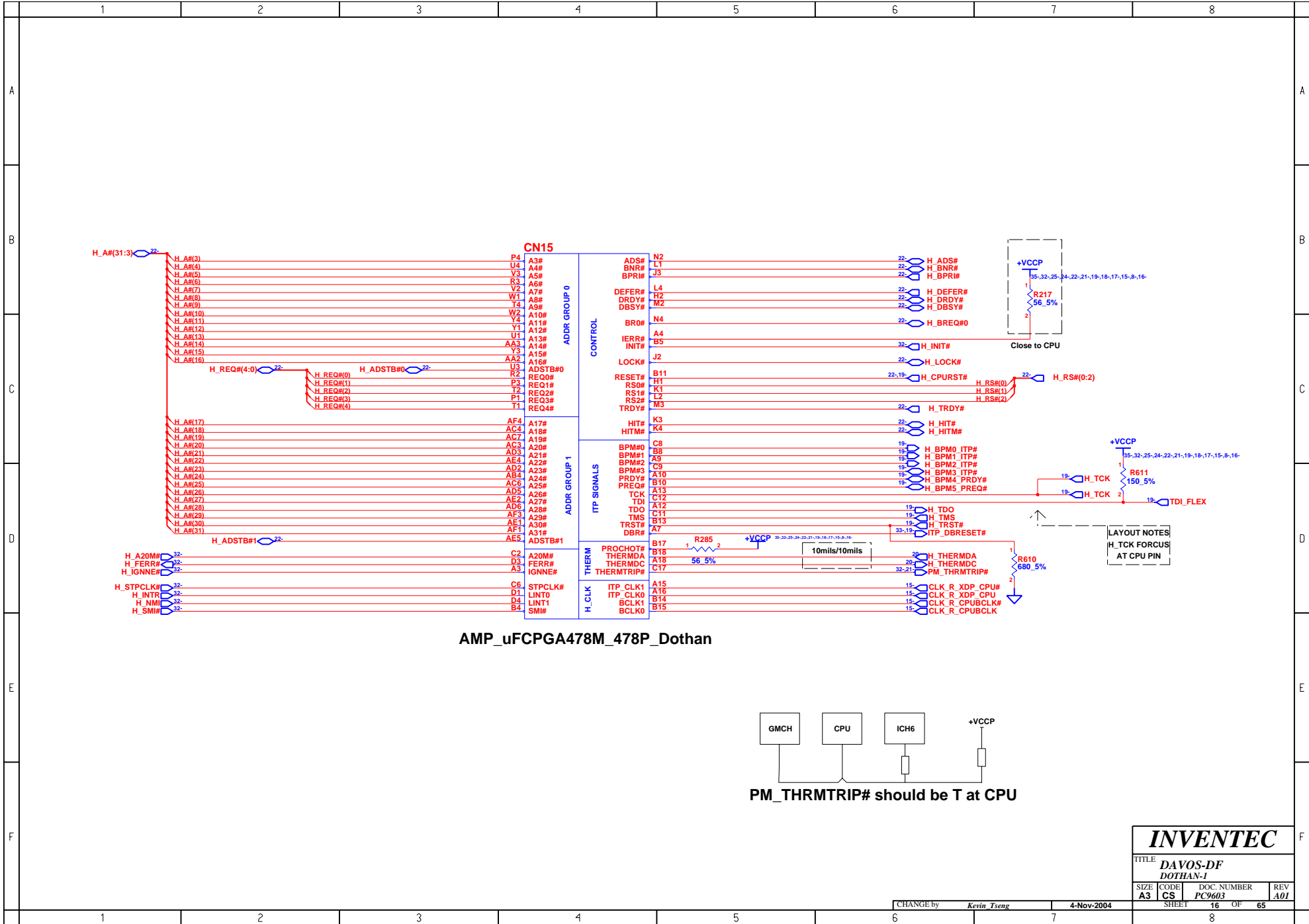
INVENTEC

TITLE: DAVOS-DF
CLOCK GENERATOR

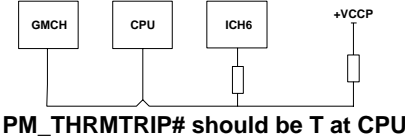
SIZE	CODE	DOC. NUMBER	REV
A3	CS	PC9603	A01

CHANGE by Kevin Tseng 4-Nov-2004

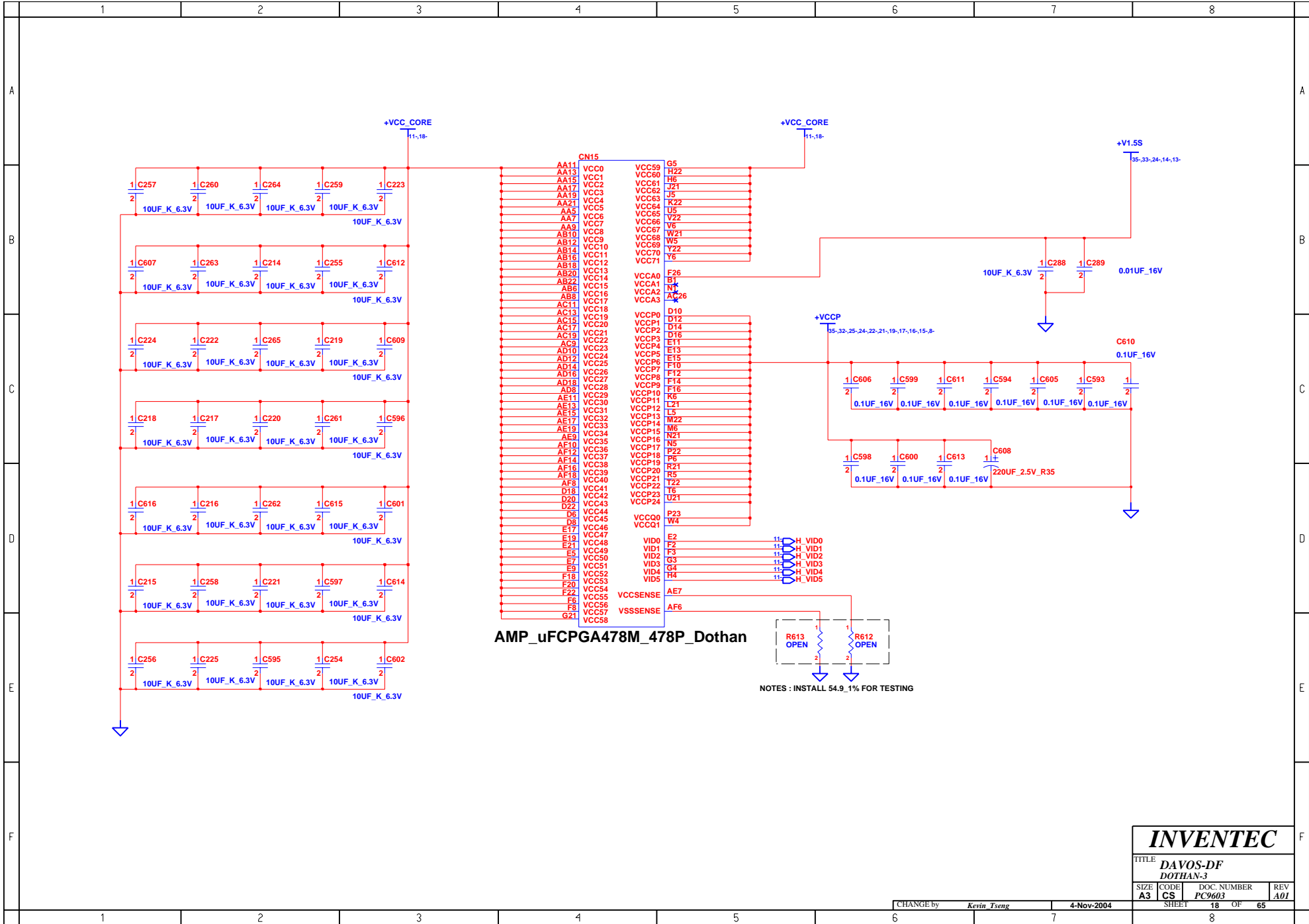
SHEET 15 OF 65



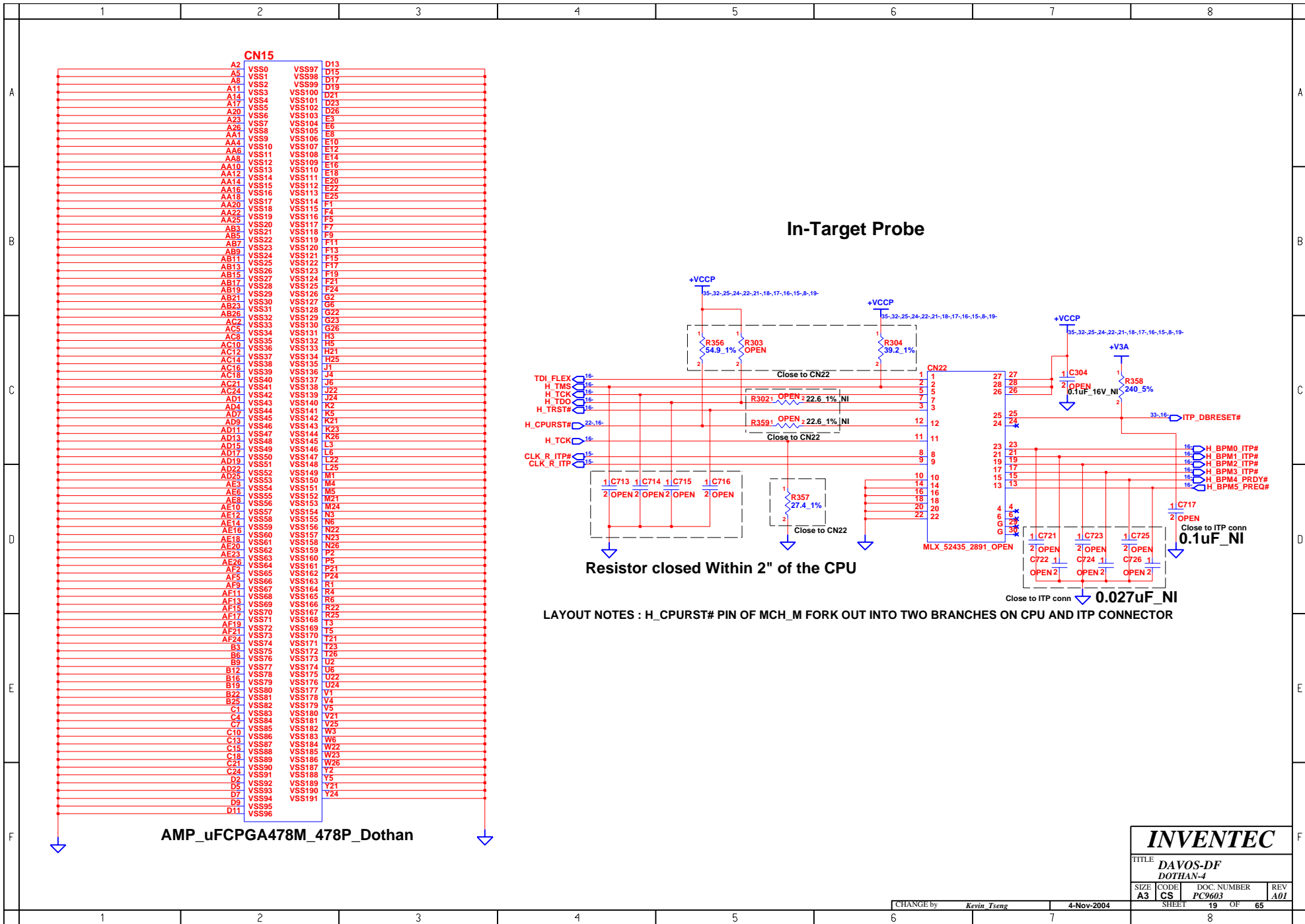
AMP_uFCPGA478M_478P_Dothan



INVENTEC			
TITLE DAVOS-DF DOTHAN-1			
SIZE A3	CODE CS	DOC. NUMBER PC9603	REV A01
CHANGE by Kevin Tseng		4-Nov-2004	SHEET 16 OF 65



INVENTEC			
TITLE DAVOS-DF DOTHAN-3			
SIZE A3	CODE CS	DOC. NUMBER PC9603	REV A01
CHANGE by <i>Kevin Tseng</i>		4-Nov-2004	
SHEET 18		OF 65	

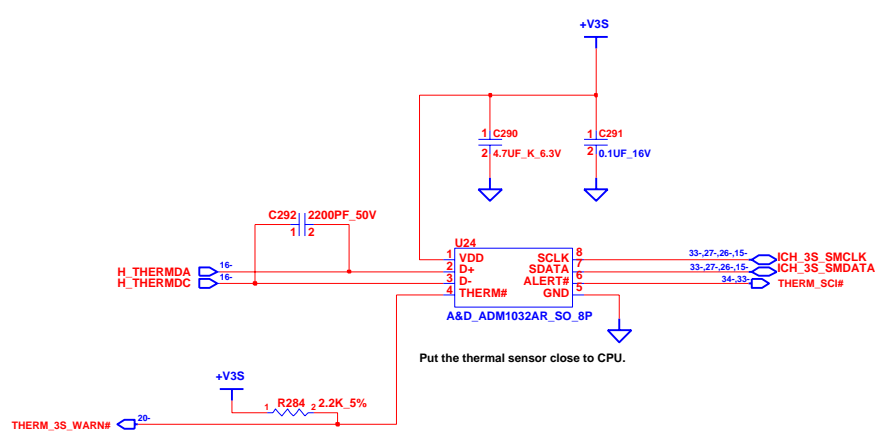
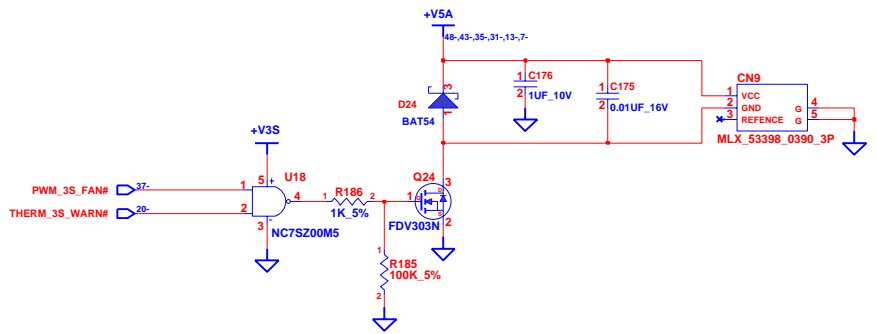


INVENTEC

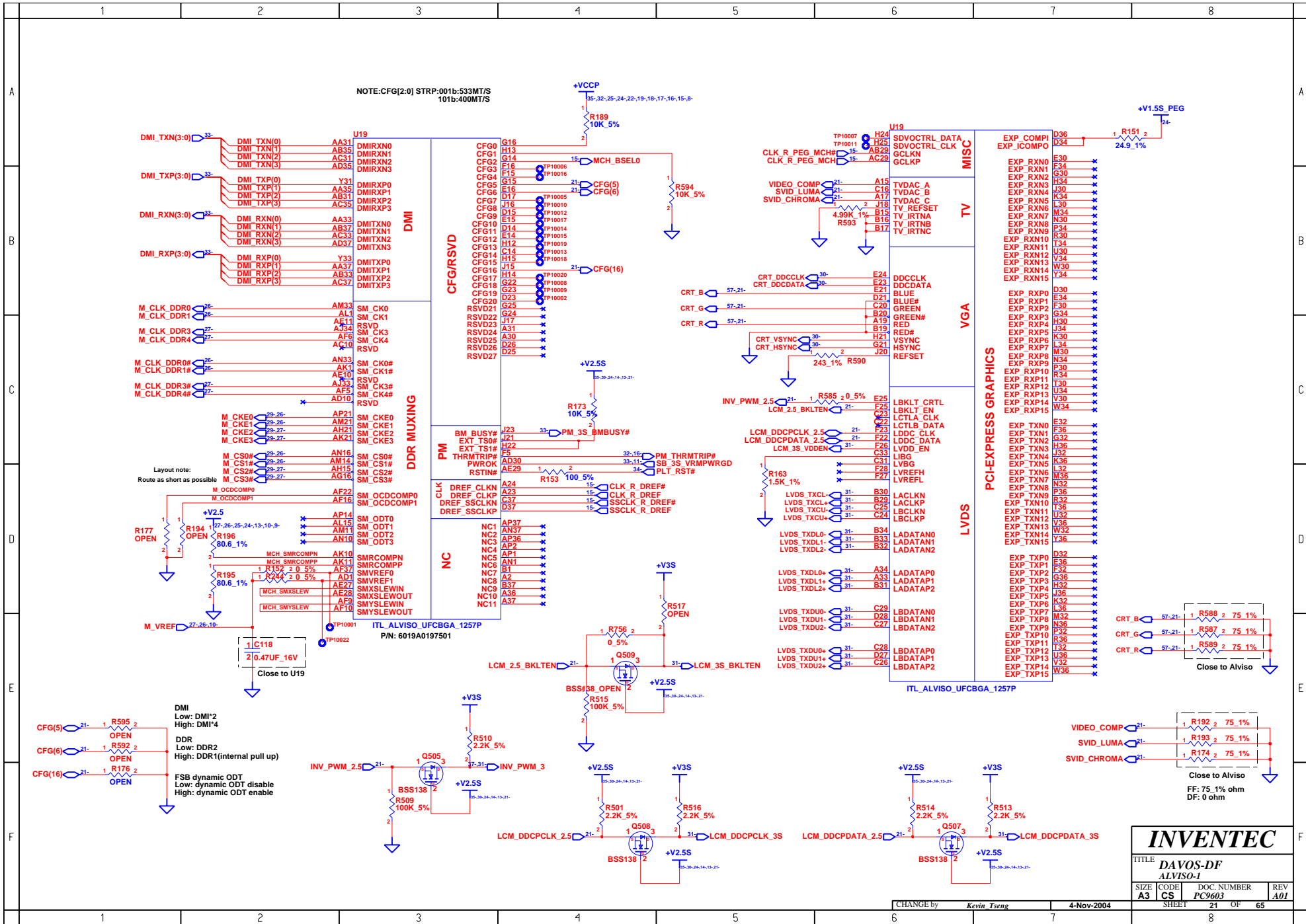
TITLE			
DAVOS-DF			
DOTHAN-4			
SIZE	CODE	DOC. NUMBER	REV
A3	CS	PC9603	A01

CHANGE by *Kevin Tseng* 4-Nov-2004

SHEET 19 OF 65



INVENTEC			
TITLE DAVOS-DF THERMAL&FAN CONTROLLER			
SIZE A3	CODE CS	DOC. NUMBER PC9603	REV A01

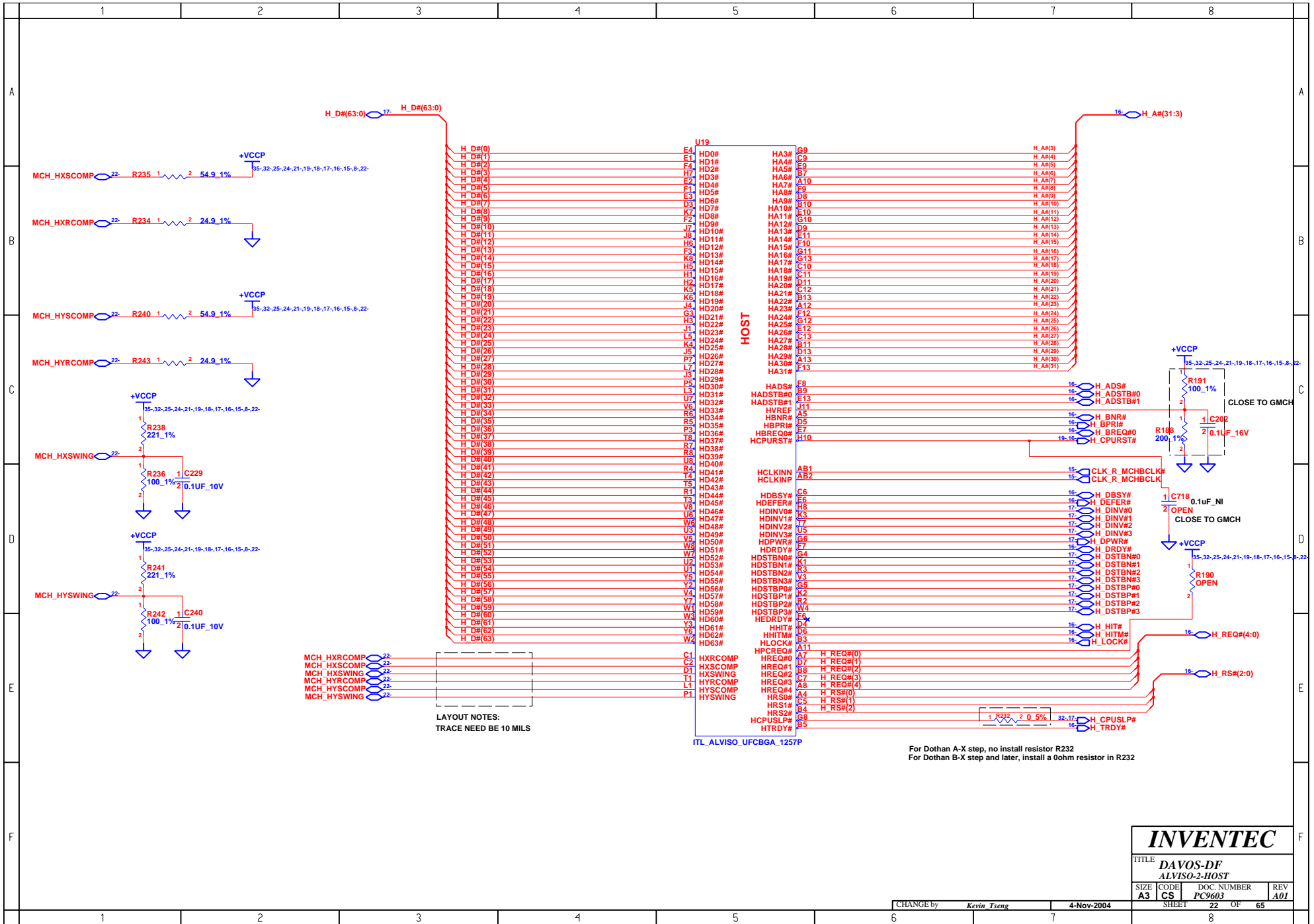


INVENTEC

TITLE: **DAVOS-DF
ALVISO-1**

SIZE	CODE	DOC. NUMBER	REV
A3	CS	PC9603	A01

SHEET 21 OF 65



- MCH_HXRCOMP
- MCH_HXSCOMP
- MCH_HXSWING
- MCH_HYRCOMP
- MCH_HYSCOMP
- MCH_HYSWING

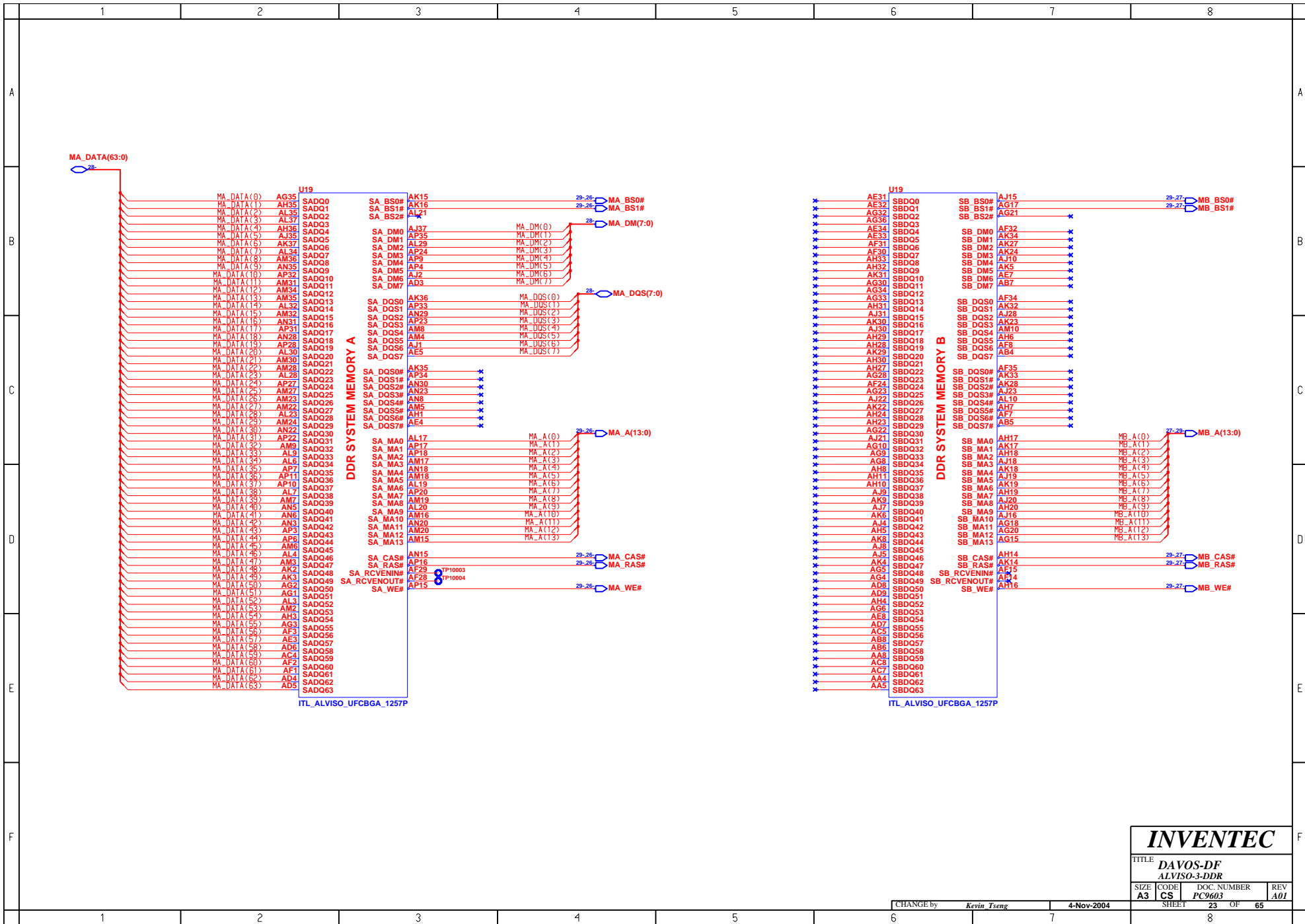
LAYOUT NOTES:
TRACE NEED BE 10 MILS

INVENTEC

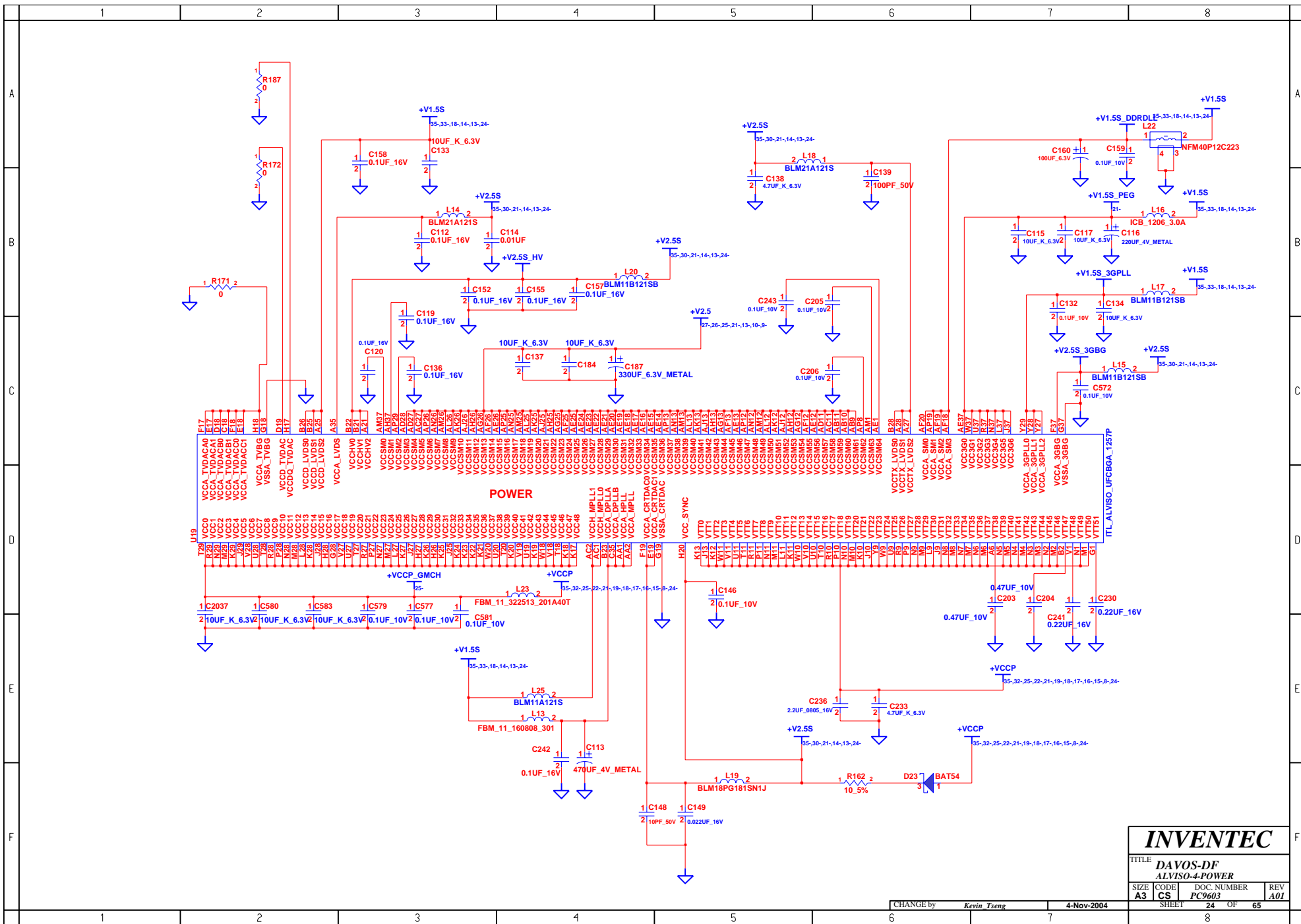
TITLE
DAVOS-DF
ALVISO-2-HOST

SIZE	CODE	DOC. NUMBER	REV
A3	CS	PC9603	A01

CHANGE by *Kevin Tseng* 4-Nov-2004 SHEET 22 OF 65

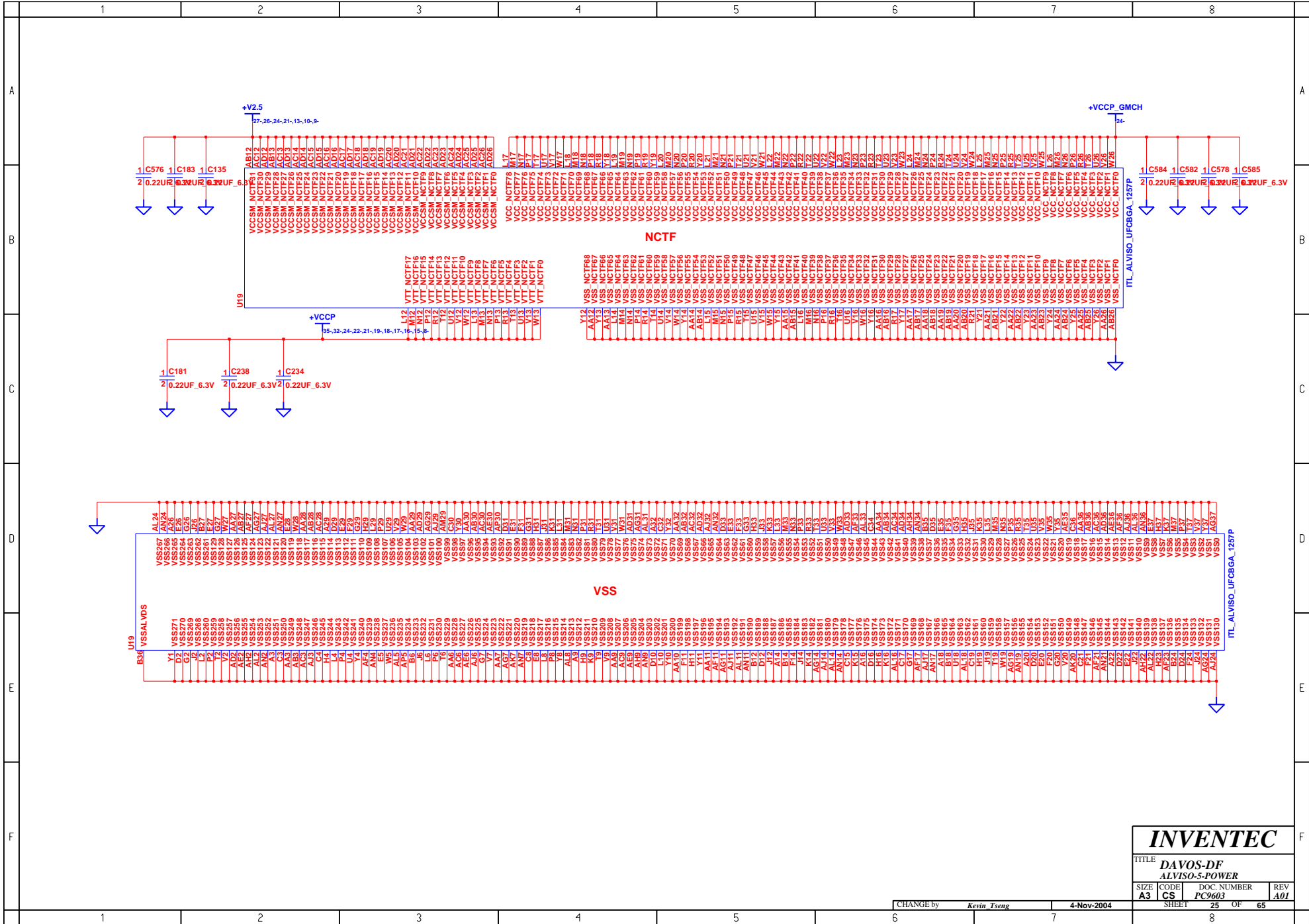


INVENTEC			
TITLE DAVOS-DF ALVISO-3-DDR			
SIZE A3	CODE CS	DOC. NUMBER PC9603	REV A01
CHANGE by <i>Kevin Tseng</i>		4-Nov-2004	
SHEET		23	OF 65

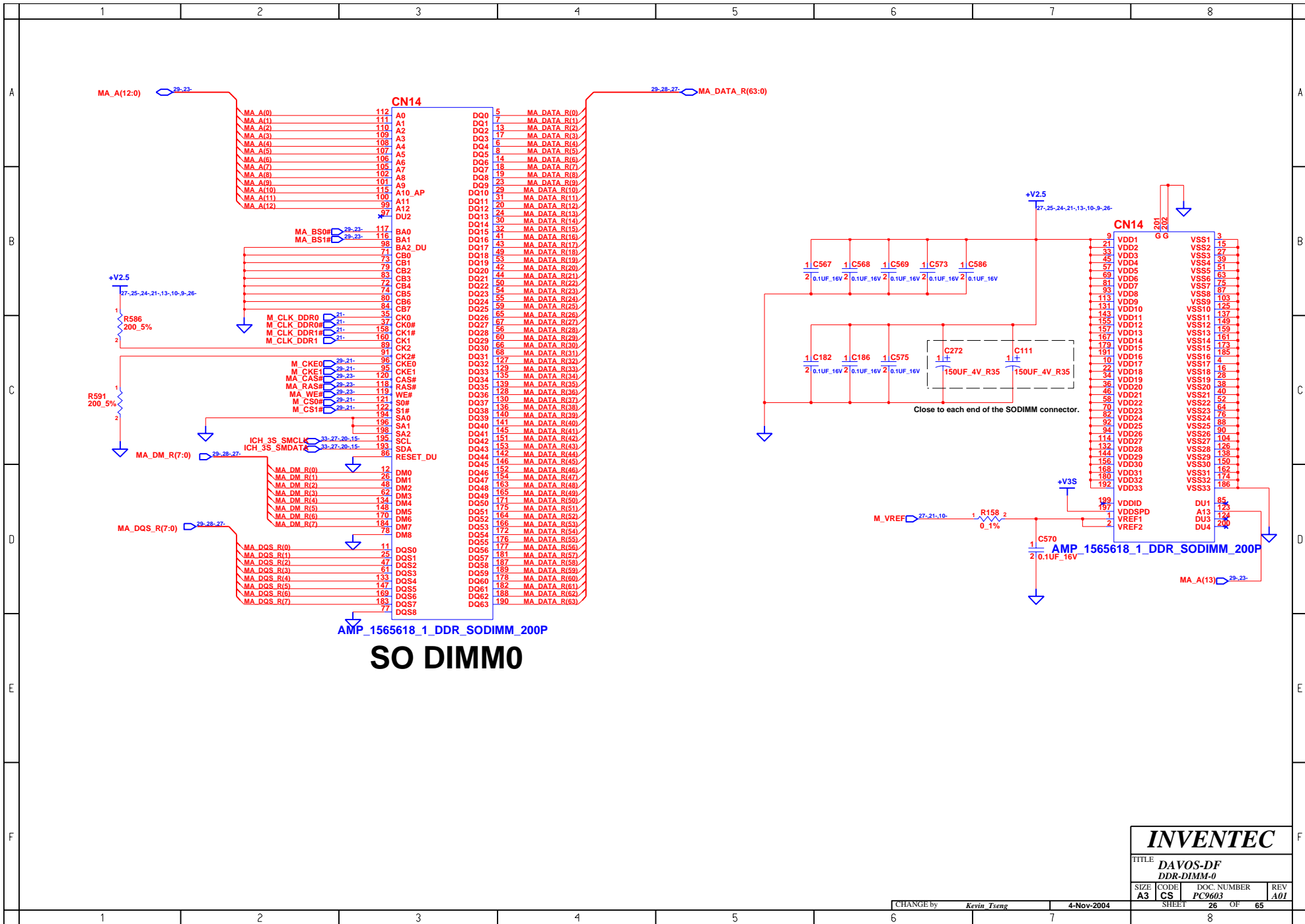


INVENTEC			
TITLE DAVOS-DF ALVISO-4-POWER			
SIZE A3	CODE CS	DOC. NUMBER PC9603	REV A01

CHANGE by Kevin Tseng 4-Nov-2004

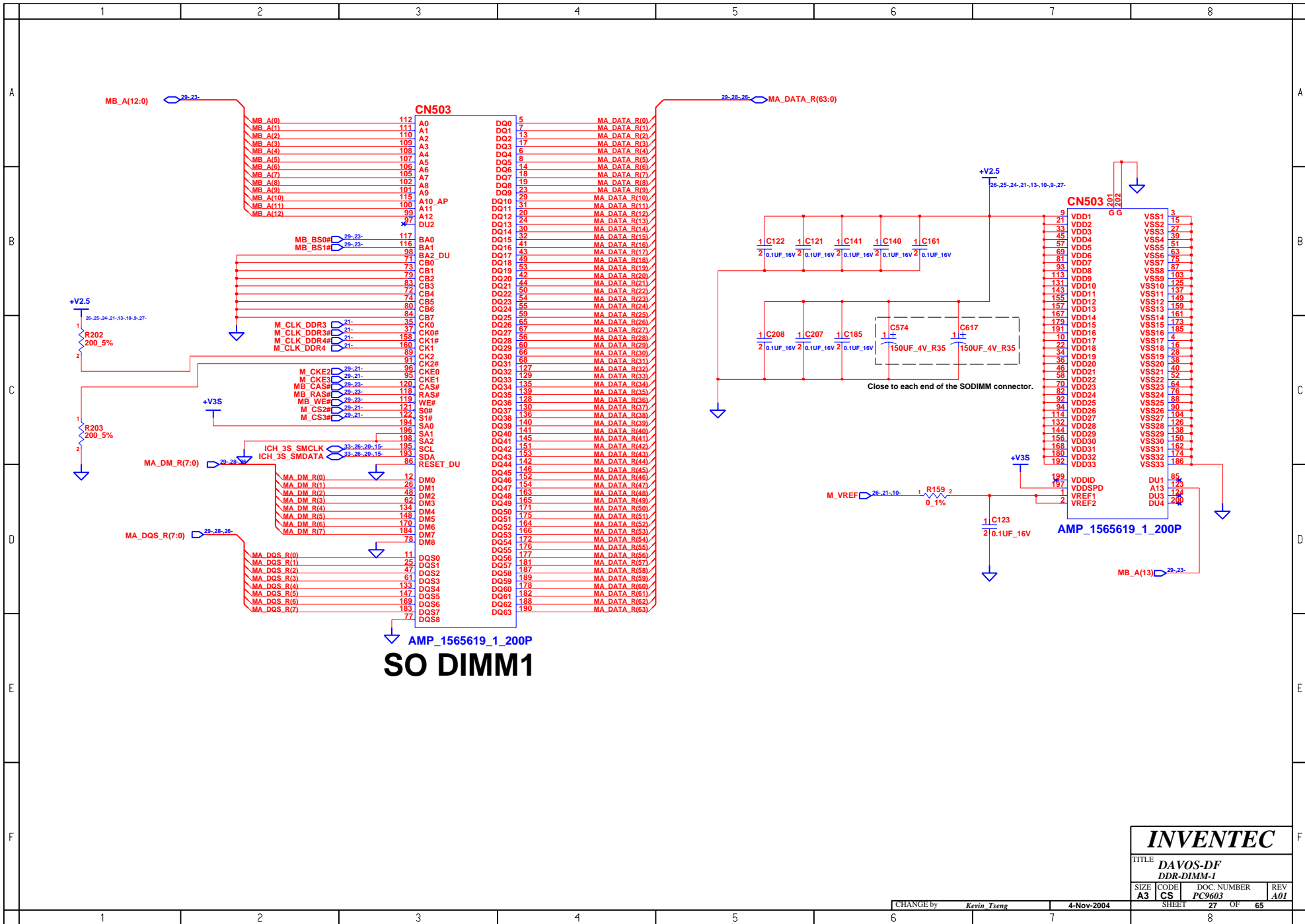


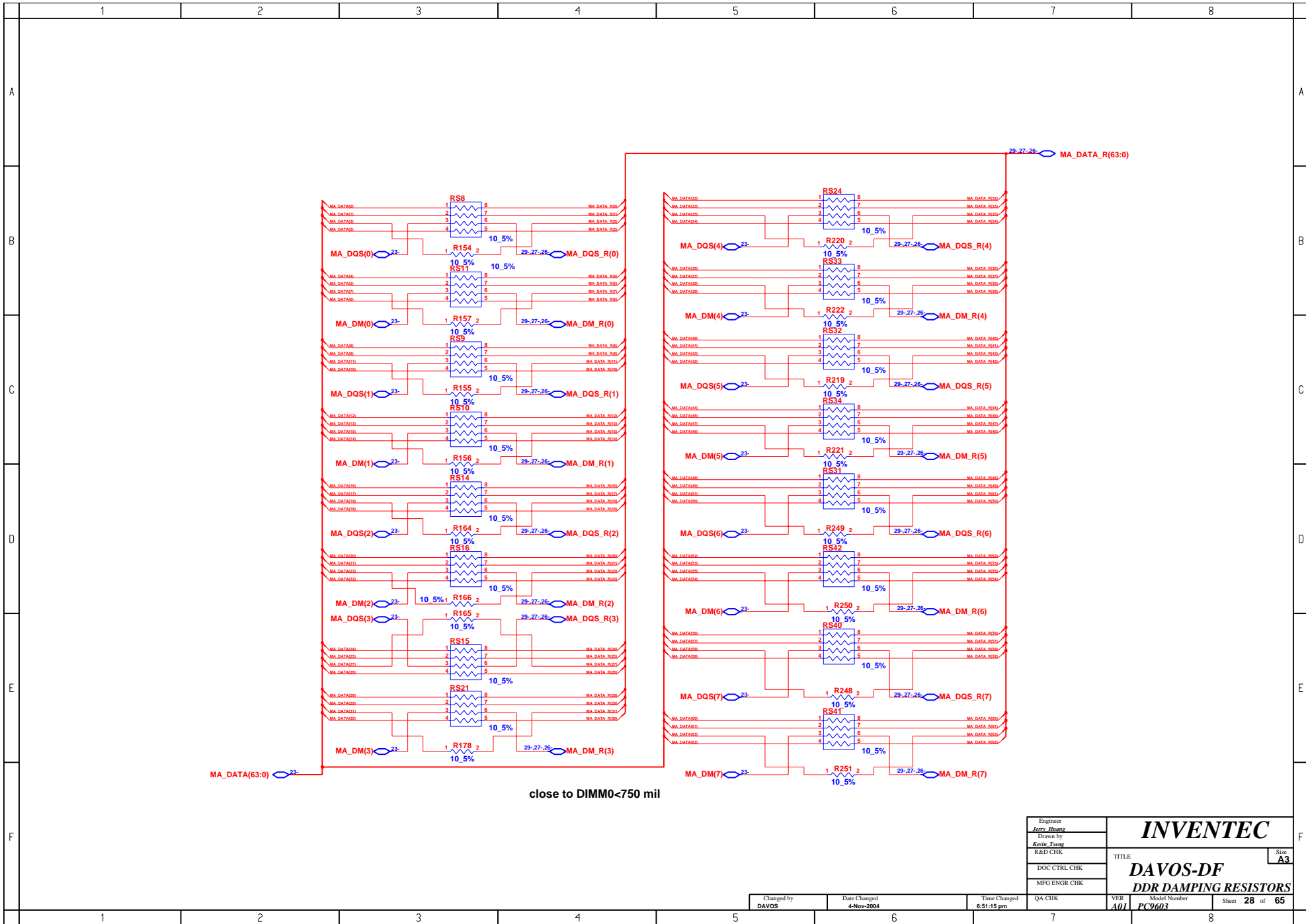
INVENTEC			
TITLE DAVOS-DF ALVISO-5-POWER			
SIZE A3	CODE CS	DOC. NUMBER PC9603	REV A01
CHANGE by <i>Kevin Tseng</i>		4-Nov-2004	
SHEET 25		OF 65	
		8	



INVENTEC

TITLE			
DAVOS-DF			
DDR-DIMM-0			
SIZE	CODE	DOC. NUMBER	REV
A3	CS	PC9603	A01





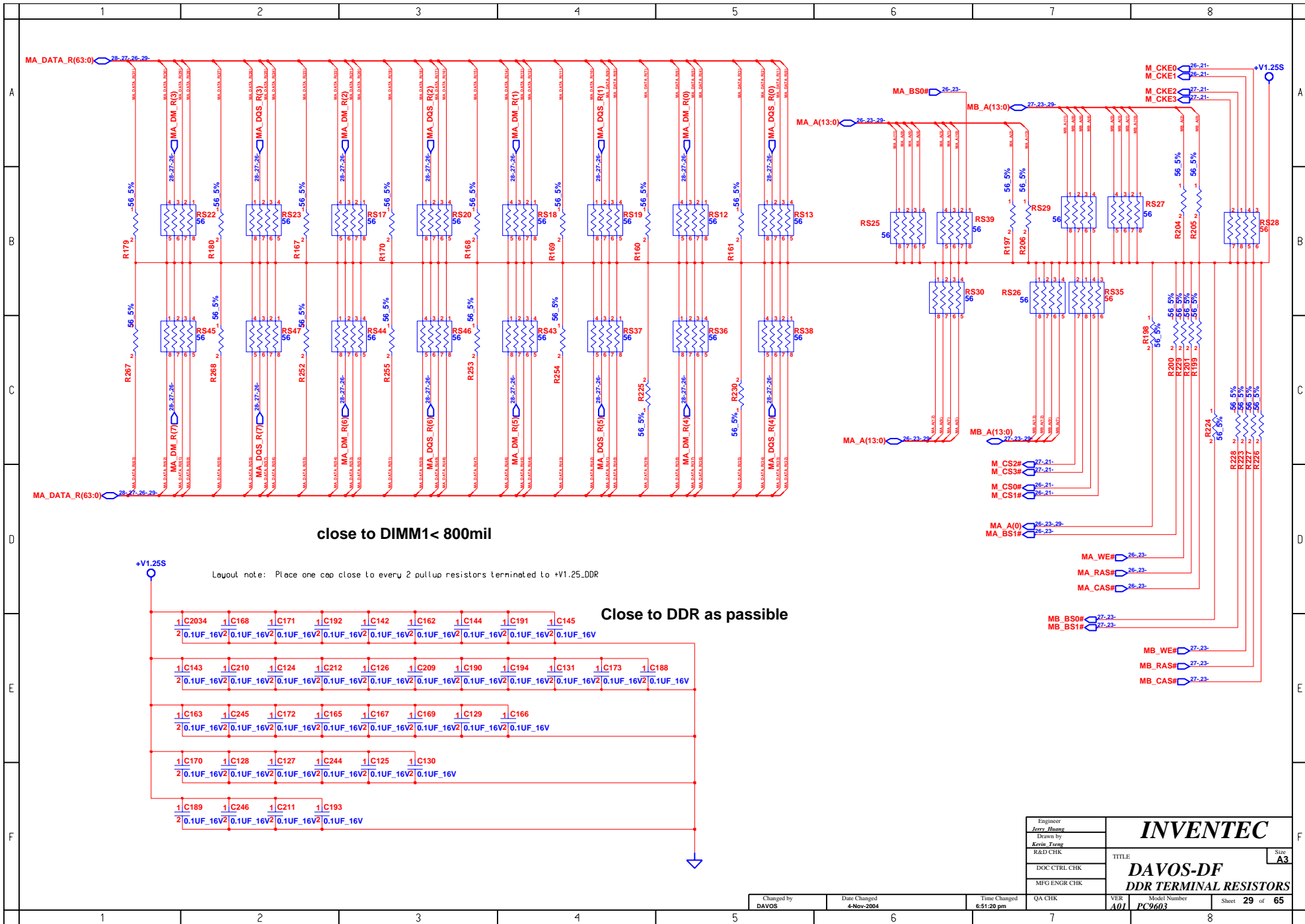
MA_DATA(63:0) 23

close to DIMM0<750 mil

29-27-26 MA_DATA_R(63:0)

Engineer <i>Jerry Huang</i>	INVENTEC TITLE: DAVOS-DF DDR DAMPING RESISTORS Size A3
Drawn by <i>Kevin Tseng</i>	
Re'D CHK	
DOC CTRL CHK	
MFG ENGR CHK	
Model Number PC9603	Sheet 28 of 65

Changed by DAVOS	Date Changed 4-Nov-2004	Time Changed 6:31:15 pm	QA CHK	VER A01
----------------------------	-----------------------------------	-----------------------------------	--------	-------------------

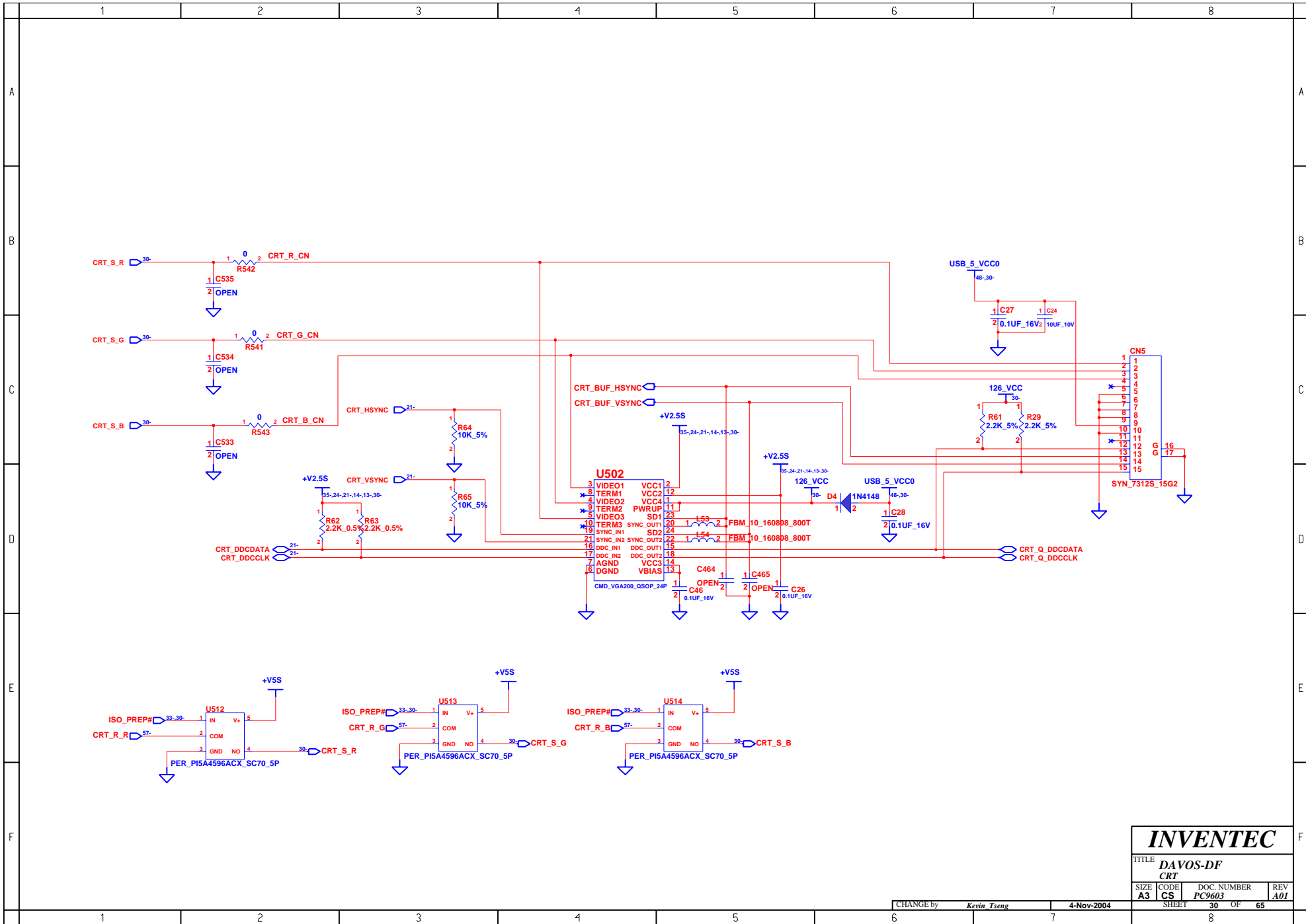


close to DIMM1 < 800mil

Layout note: Place one cap close to every 2 pullup resistors terminated to +V1.25_DDR

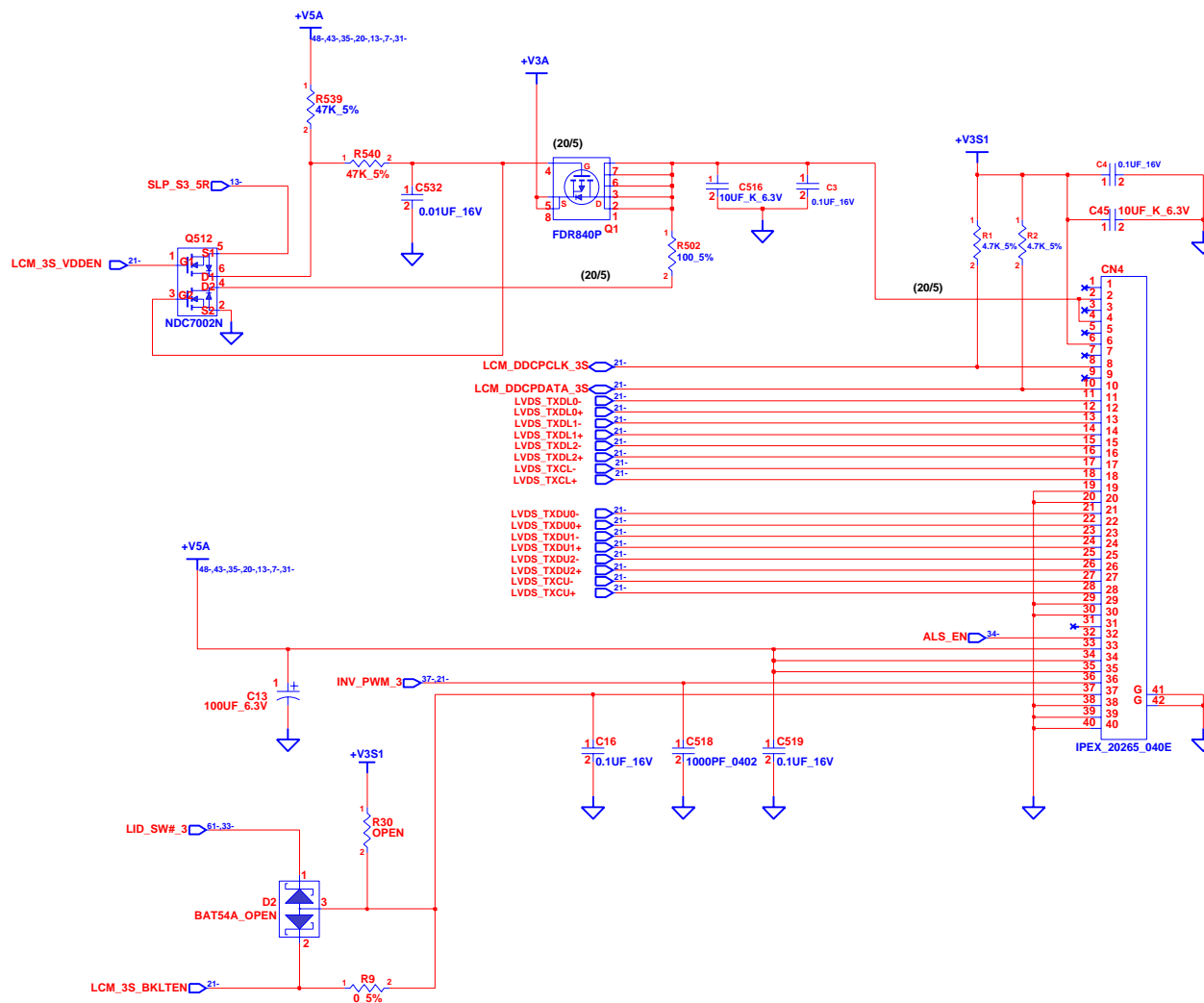
Close to DDR as possible

Engineer <i>Jerry Huang</i>	INVENTEC TITLE: DAVOS-DF DDR TERMINAL RESISTORS	Size A3				
Drawn by <i>Kevin Tseng</i>						
R&D CHK						
DOC CTRL CHK						
MFG ENGR CHK						
Changed by DAVOS	Date Changed 4-Nov-2004	Time Changed 6:51:20 pm	QA CHK	VER A01	Model Number PC9603	Sheet 29 of 65



INVENTEC			
TITLE DAVOS-DF CRT			
SIZE A3	CODE CS	DOC. NUMBER PC9603	REV A01
CHANGE by <i>Kevin Tseng</i>		4-Nov-2004	
SHEET 30		OF 65	

Place closed to connector



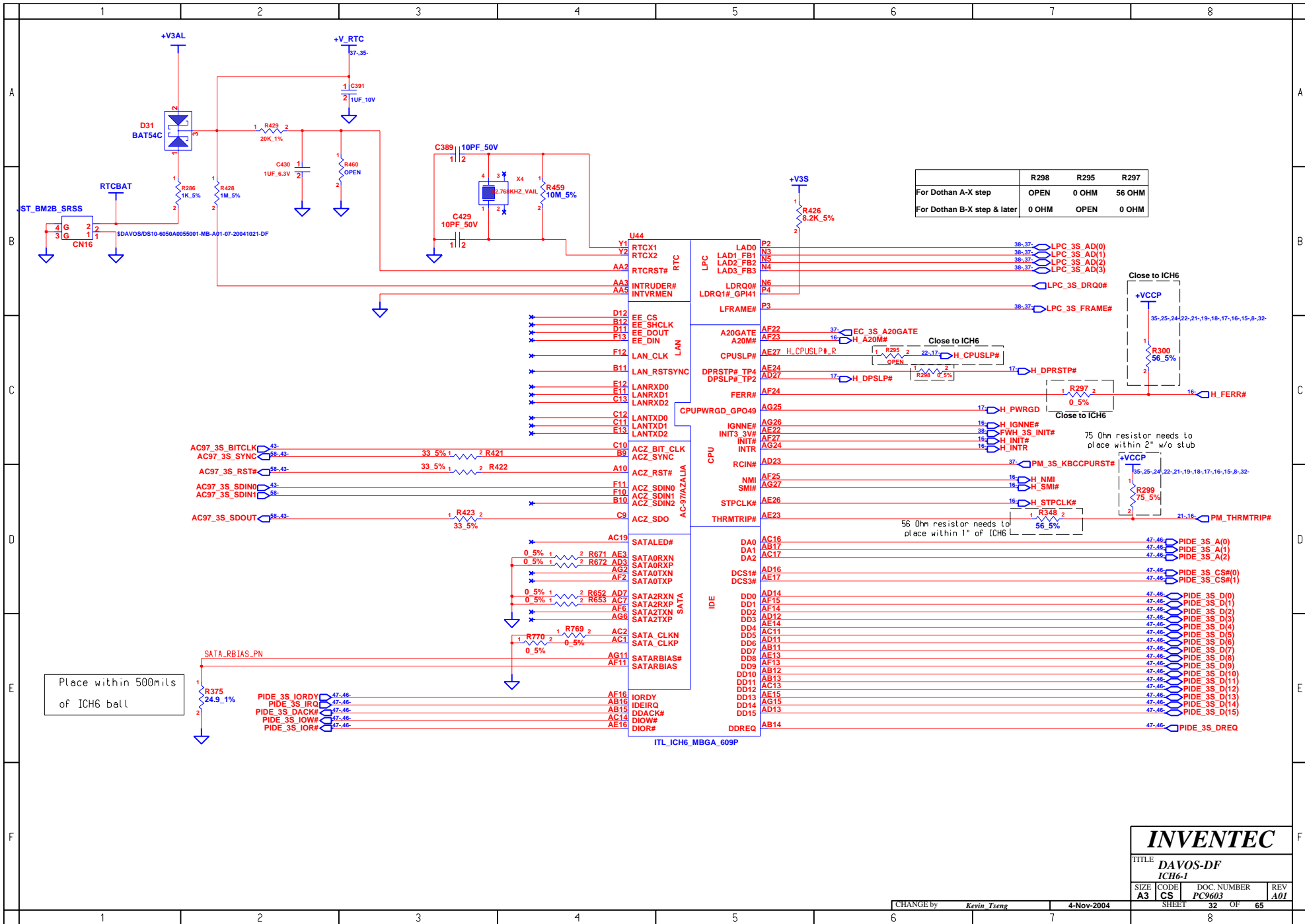
INVENTEC

TITLE
DAVOS-DF
LCD CONN

SIZE A3	CODE CS	DOC. NUMBER PC9603	REV A01
------------	------------	-----------------------	------------

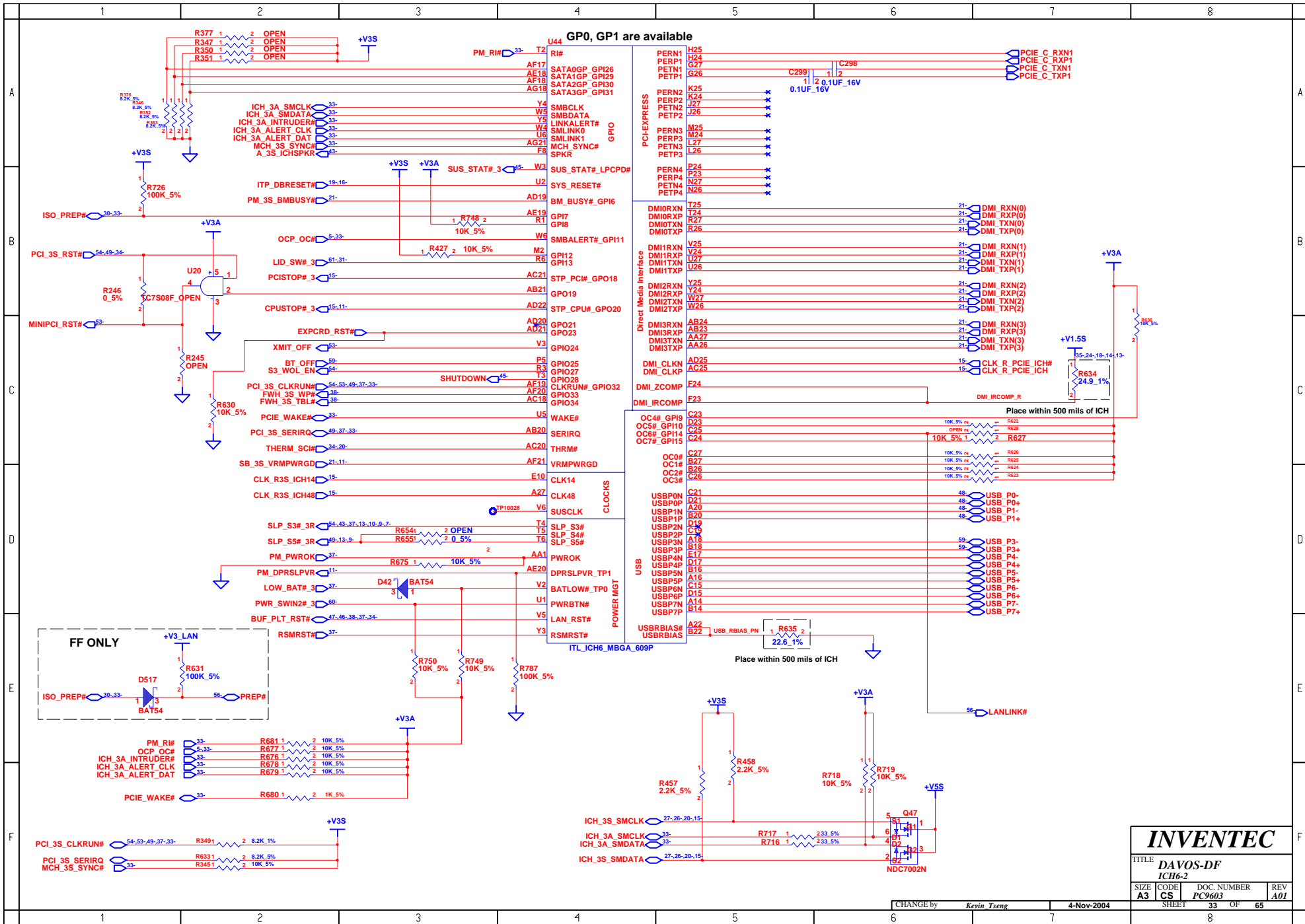
CHANGE by Kevin Tseng 4-Nov-2004

SHEET 31 OF 65

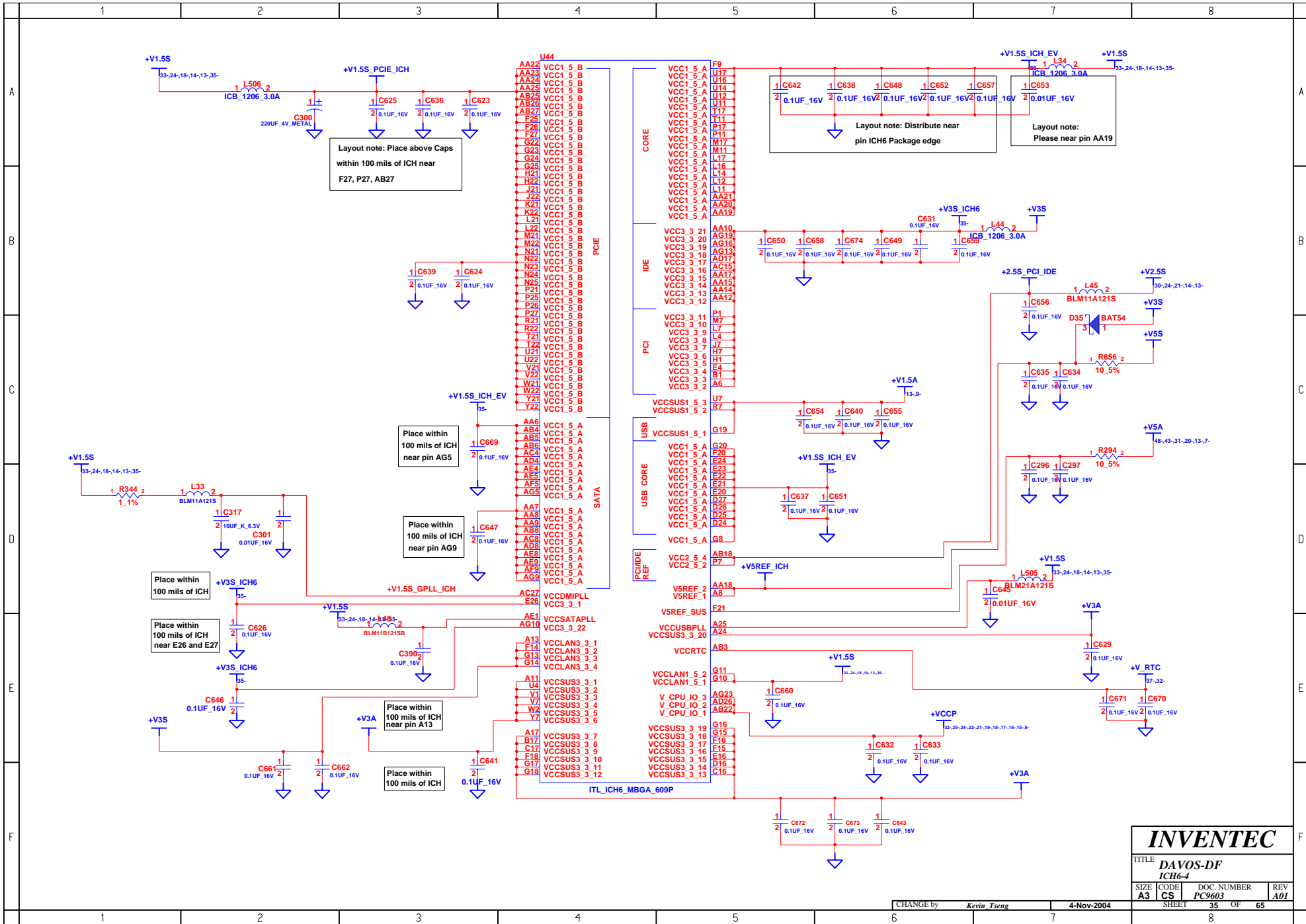


INVENTEC

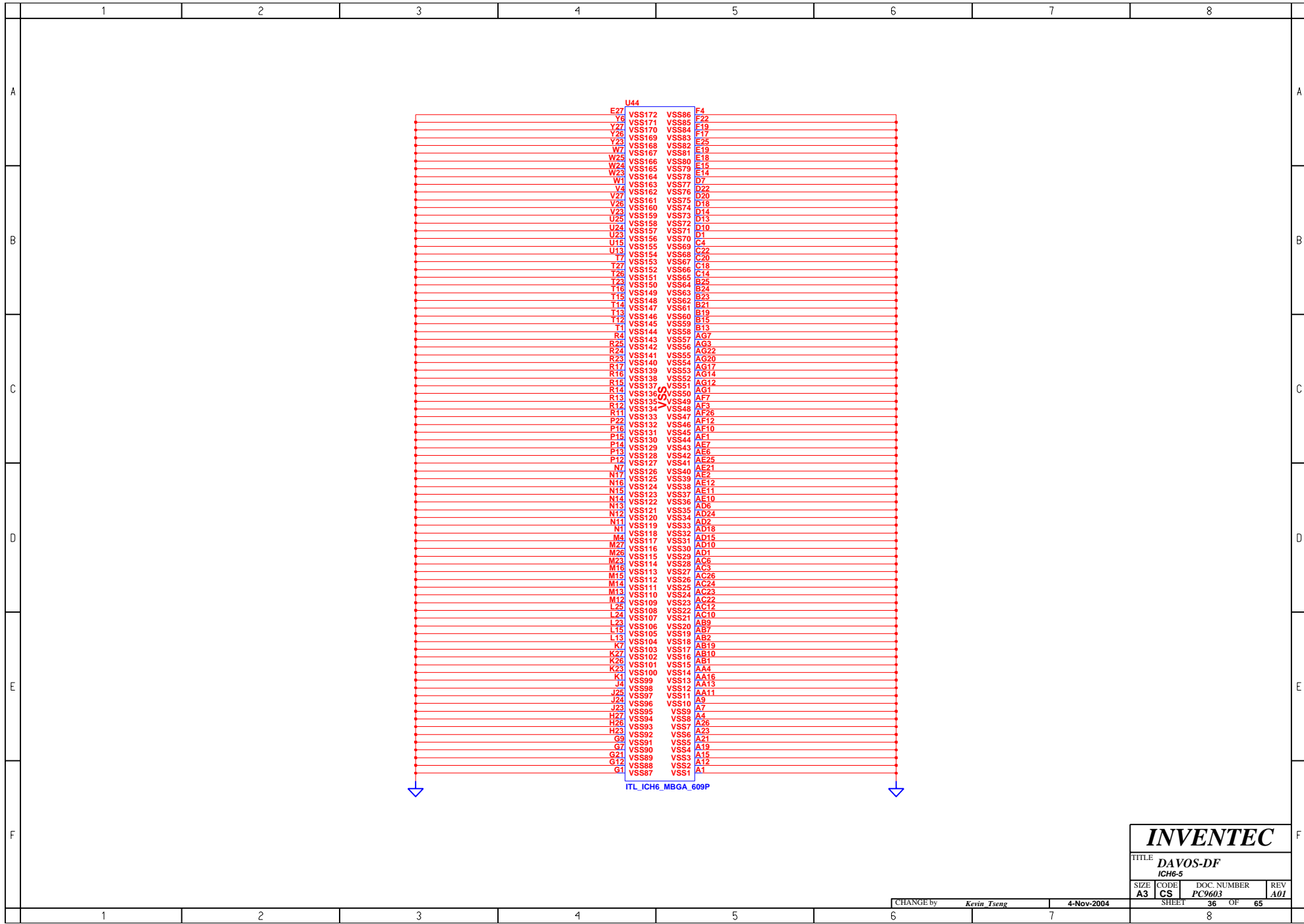
TITLE			
DAVOS-DF			
ICH6-1			
SIZE	CODE	DOC. NUMBER	REV
A3	CS	PC9603	A01



INVENTEC			
TITLE DAVOS-DF ICH6-2			
SIZE A3	CODE CS	DOC. NUMBER PC9603	REV A01
CHANGE by <i>Kevin Tseng</i>		4-Nov-2004	
SHEET 33		OF 65	
8		8	



INVENTEC				
TITLE DAVOS-DF ICH6-4				
SIZE A3	CODE CS	DOC. NUMBER PC9603	REV A01	
CHANGE by <i>Kevin Tseng</i>		4-Nov-2004		SHEET 35 OF 65



U44

E27 VSS172 VSS86 F4
 Y7 VSS171 VSS85 F22
 Y26 VSS170 VSS84 F17
 Y23 VSS169 VSS83 E25
 W7 VSS168 VSS82 E19
 W25 VSS167 VSS81 E18
 W24 VSS166 VSS80 E15
 W23 VSS165 VSS79 E14
 W1 VSS164 VSS78 D27
 V4 VSS163 VSS77 D22
 V27 VSS162 VSS76 D20
 V26 VSS161 VSS75 D18
 V23 VSS160 VSS74 D14
 U25 VSS159 VSS73 D13
 U24 VSS158 VSS72 D10
 U23 VSS157 VSS71 D1
 U15 VSS156 VSS70 C4
 U13 VSS155 VSS69 C22
 T7 VSS154 VSS68 C20
 T26 VSS153 VSS67 C18
 T27 VSS152 VSS66 C14
 T23 VSS151 VSS65 B25
 T16 VSS150 VSS64 B24
 T15 VSS149 VSS63 B23
 T14 VSS148 VSS62 B21
 T13 VSS147 VSS61 B19
 T12 VSS146 VSS60 B15
 T11 VSS145 VSS59 B13
 R4 VSS144 VSS58 AG7
 R25 VSS143 VSS57 AG3
 R24 VSS142 VSS56 AG22
 R23 VSS141 VSS55 AG20
 R17 VSS140 VSS54 AG17
 R16 VSS139 VSS53 AG14
 R15 VSS138 VSS52 AG12
 R13 VSS137 VSS51 AG1
 R12 VSS136 VSS50 AF7
 R11 VSS135 VSS49 AF3
 P22 VSS134 VSS48 AF26
 P16 VSS133 VSS47 AF12
 P15 VSS132 VSS46 AF10
 P14 VSS131 VSS45 AF1
 P13 VSS130 VSS44 AE6
 P12 VSS129 VSS43 AE25
 N7 VSS128 VSS42 AE21
 N17 VSS127 VSS41 AE2
 N16 VSS126 VSS40 AE11
 N15 VSS125 VSS39 AE10
 N14 VSS124 VSS38 AE10
 N13 VSS123 VSS37 AD6
 N12 VSS122 VSS36 AD24
 N11 VSS121 VSS35 AD2
 N1 VSS120 VSS34 AD18
 M4 VSS119 VSS33 AD15
 M27 VSS118 VSS32 AD10
 M26 VSS117 VSS31 AD1
 M23 VSS116 VSS30 AC6
 M16 VSS115 VSS29 AC6
 M15 VSS114 VSS28 AC26
 M14 VSS113 VSS27 AC24
 M13 VSS112 VSS26 AC23
 M12 VSS111 VSS25 AC22
 L24 VSS110 VSS24 AC10
 L23 VSS109 VSS23 AB9
 L15 VSS108 VSS22 AB7
 L13 VSS107 VSS21 AB2
 K7 VSS106 VSS20 AB19
 K27 VSS105 VSS19 AB10
 K26 VSS104 VSS18 AA1
 K23 VSS103 VSS17 AA4
 K1 VSS102 VSS16 AA16
 J5 VSS101 VSS15 AA13
 J4 VSS100 VSS14 AA11
 J24 VSS99 VSS13 A9
 J23 VSS98 VSS12 A7
 H27 VSS97 VSS11 A4
 H26 VSS96 VSS10 A26
 H23 VSS95 VSS9 A23
 G9 VSS94 VSS8 A21
 G7 VSS93 VSS7 A19
 G21 VSS92 VSS6 A15
 G12 VSS91 VSS5 A12
 G1 VSS90 VSS4 A1
 VSS89 VSS3
 VSS88 VSS2
 VSS87 VSS1

ITL_ICH6_MBGA_609P

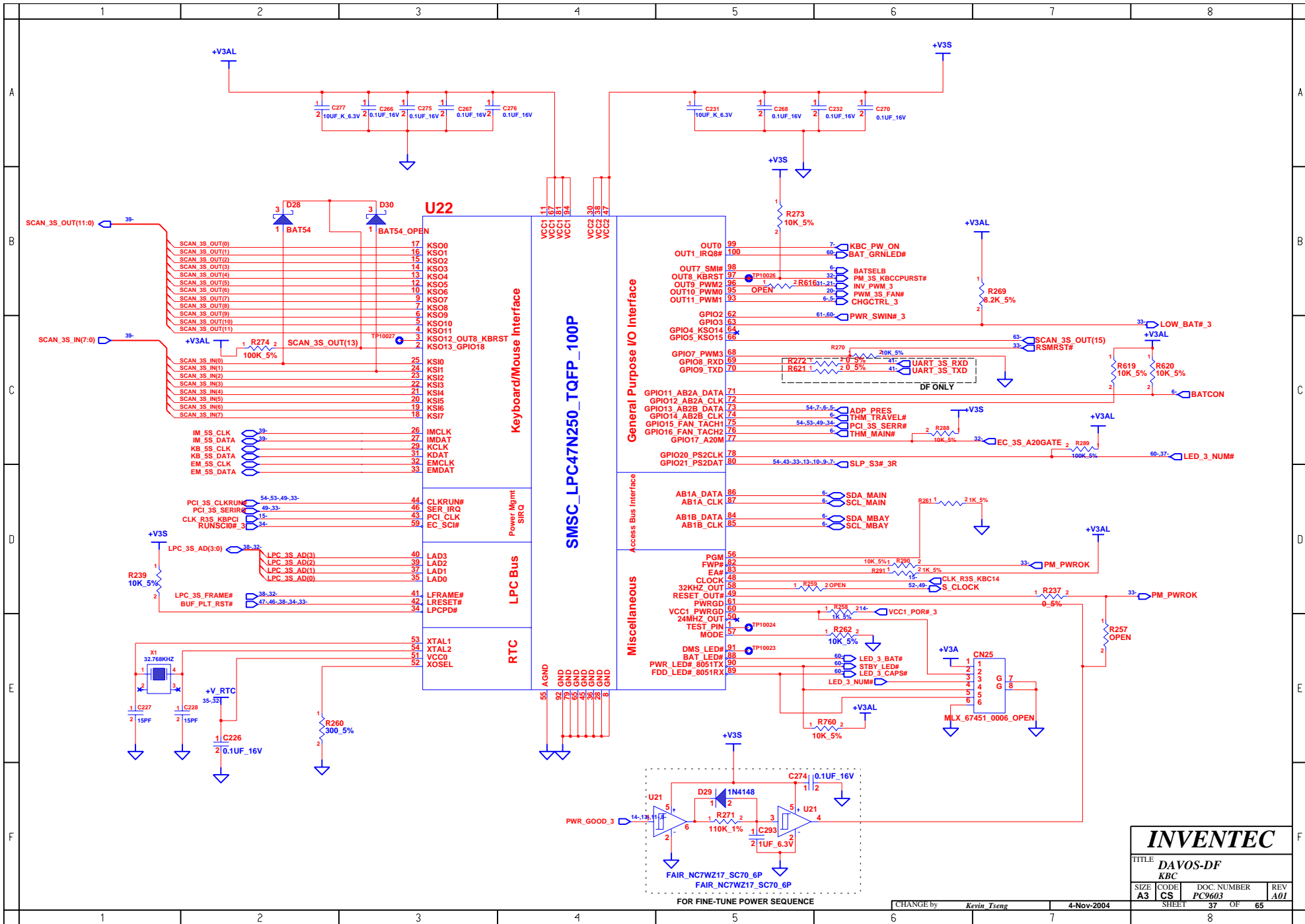
INVENTEC

TITLE **DAVOS-DF**
ICH6-5

SIZE A3	CODE CS	DOC. NUMBER PC9603	REV A01
-------------------	-------------------	------------------------------	-------------------

CHANGE by *Kevin Tseng* 4-Nov-2004

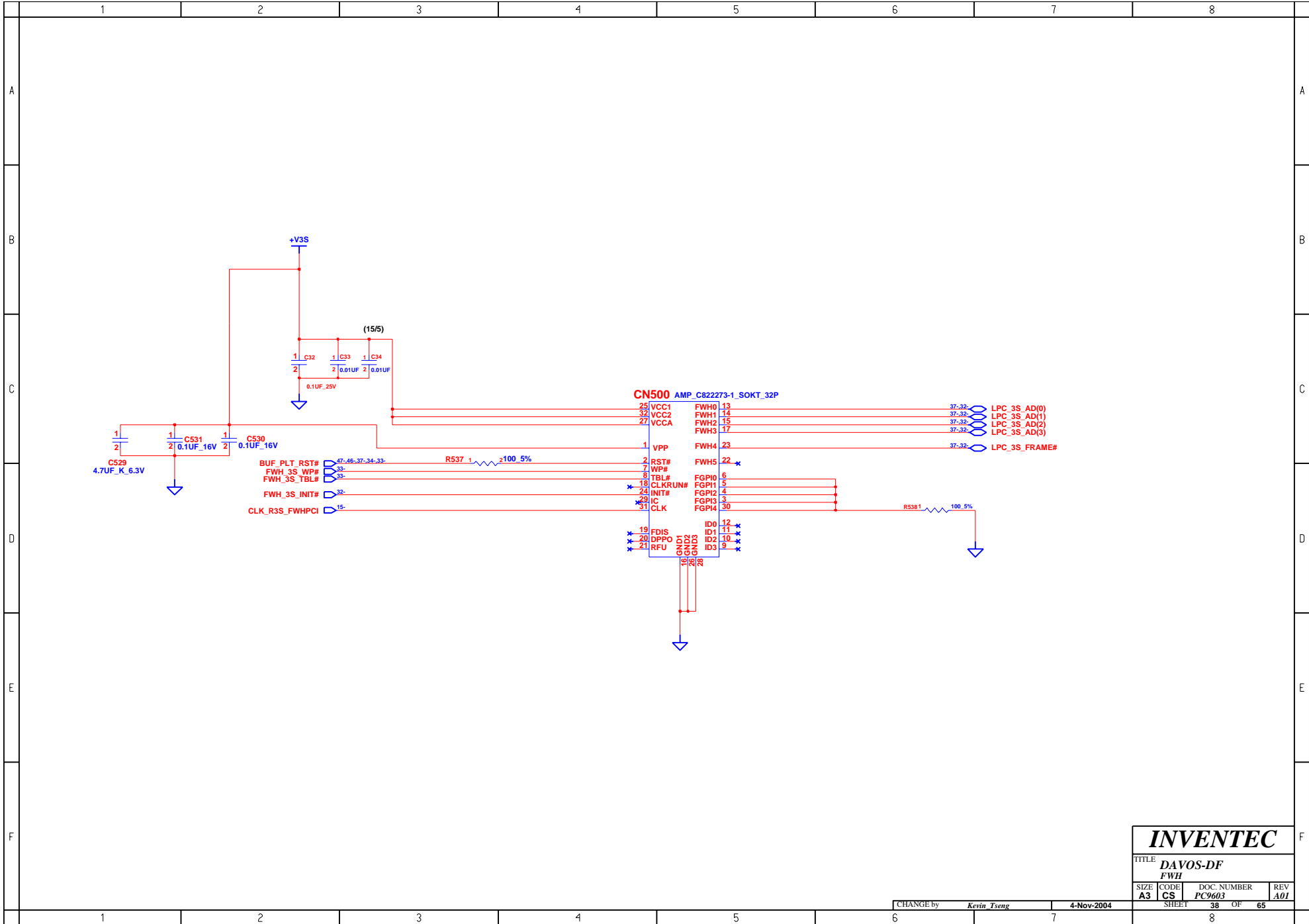
SHEET 36 OF 65



INVENTEC			
TITLE: DAVOS-DF			
KBC			
SIZE: A3	CODE: CS	DOC. NUMBER: PC9603	REV: A01
SHEET: 37		OF: 65	

CHANGE by Kevin Tseng 4-Nov-2004

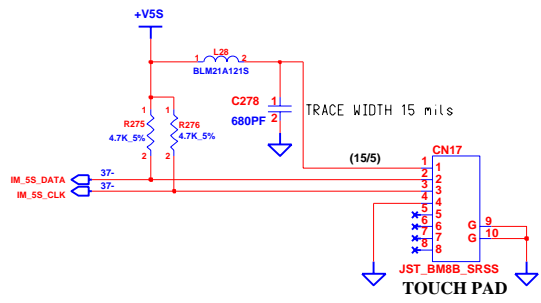
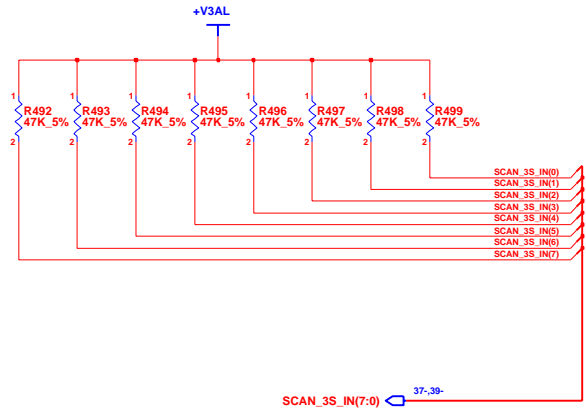
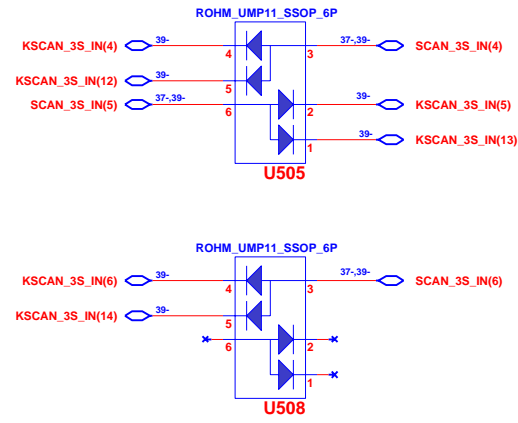
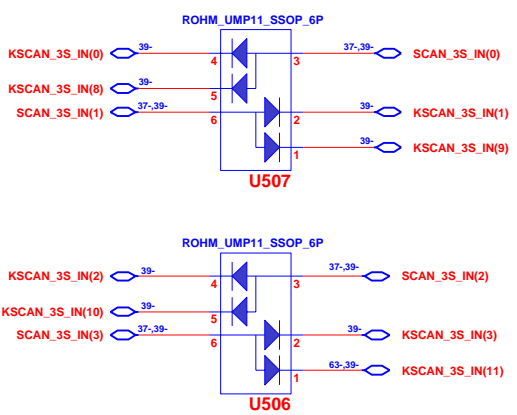
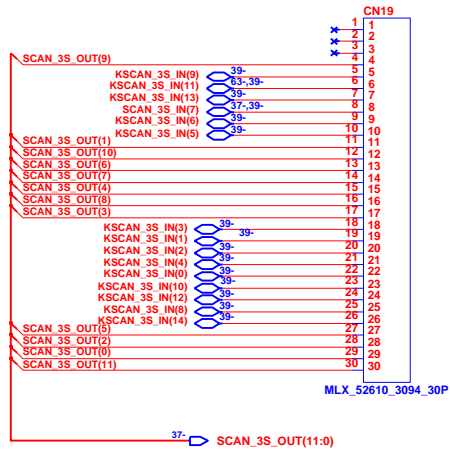
FOR FINE-TUNE POWER SEQUENCE



INVENTEC

TITLE
DAVOS-DF
FWH

SIZE A3	CODE CS	DOC. NUMBER PC9603	REV A01
-------------------	-------------------	------------------------------	-------------------

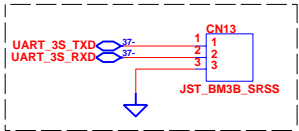


INVENTEC			
TITLE DAVOS-DF INT. KB CONN & TOUCHPAD			
SIZE A3	CODE CS	DOC. NUMBER PC9603	REV A01

For FF only

INVENTEC			
TITLE DAVOS-DF SUPER I/O			
SIZE A3	CODE CS	DOC. NUMBER PC9603	REV A01
CHANGE by <i>Kevin Tseng</i>		4-Nov-2004	SHEET 40 OF 65

DF debug only



INVENTEC

TITLE **DAVOS-DF**
DF debug only

SIZE	CODE	DOC. NUMBER	REV
A3	CS	PC9603	A01

CHANGE by *Kevin Tseng* 4-Nov-2004

SHEET 41 OF 65

For FF only

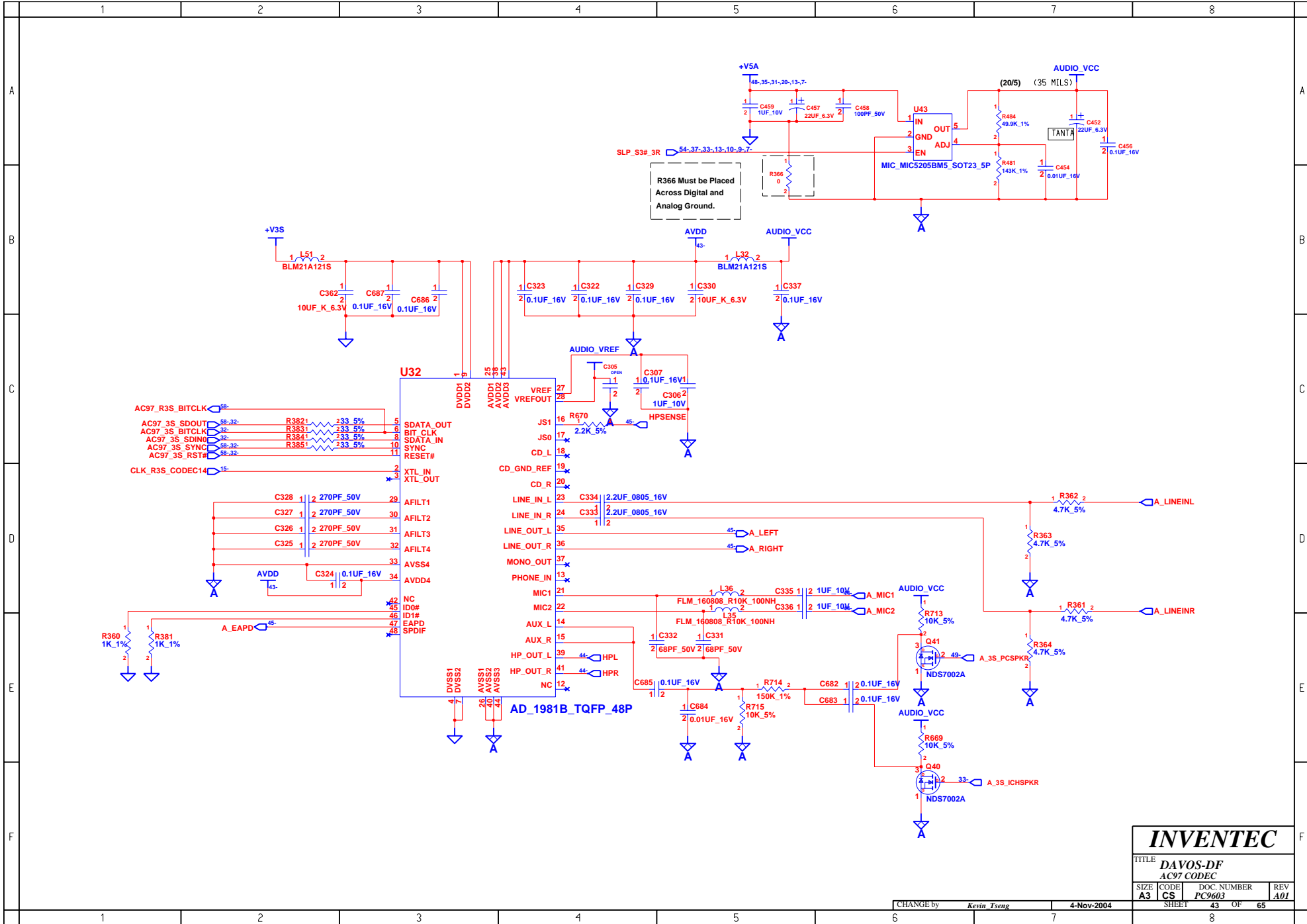
INVENTEC

TITLE **DAVOS-DF
PARALLER PORT**

SIZE	CODE	DOC. NUMBER	REV
A3	CS	PC9603	A01

CHANGE by *Kevin Tseng* 4-Nov-2004

SHEET 42 OF 65



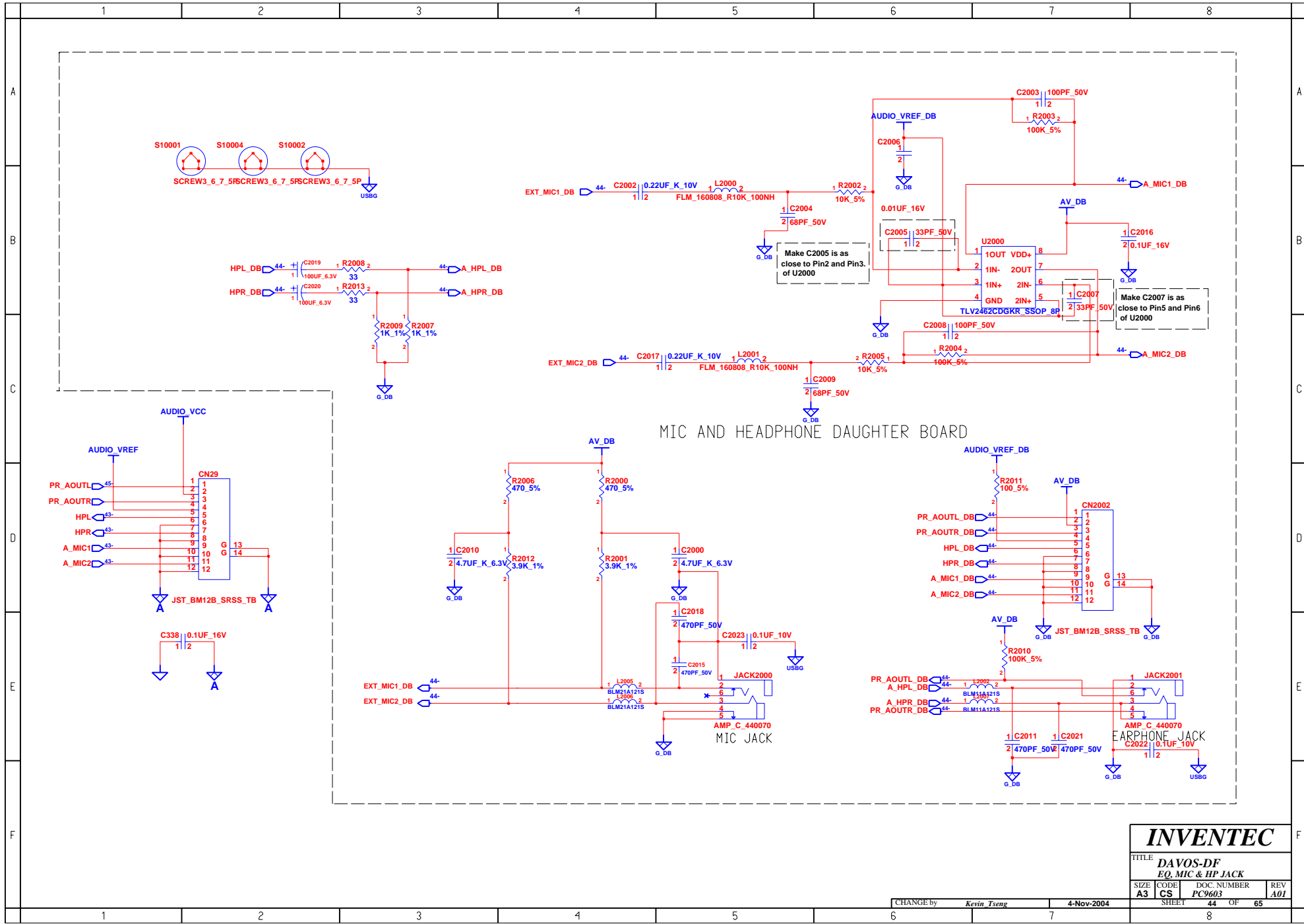
INVENTEC

TITLE
**DAVOS-DF
 AC97 CODEC**

SIZE A3	CODE CS	DOC. NUMBER PC9603	REV A01
-------------------	-------------------	------------------------------	-------------------

CHANGE by *Kevin Tseng* 4-Nov-2004

SHEET 43 OF 65

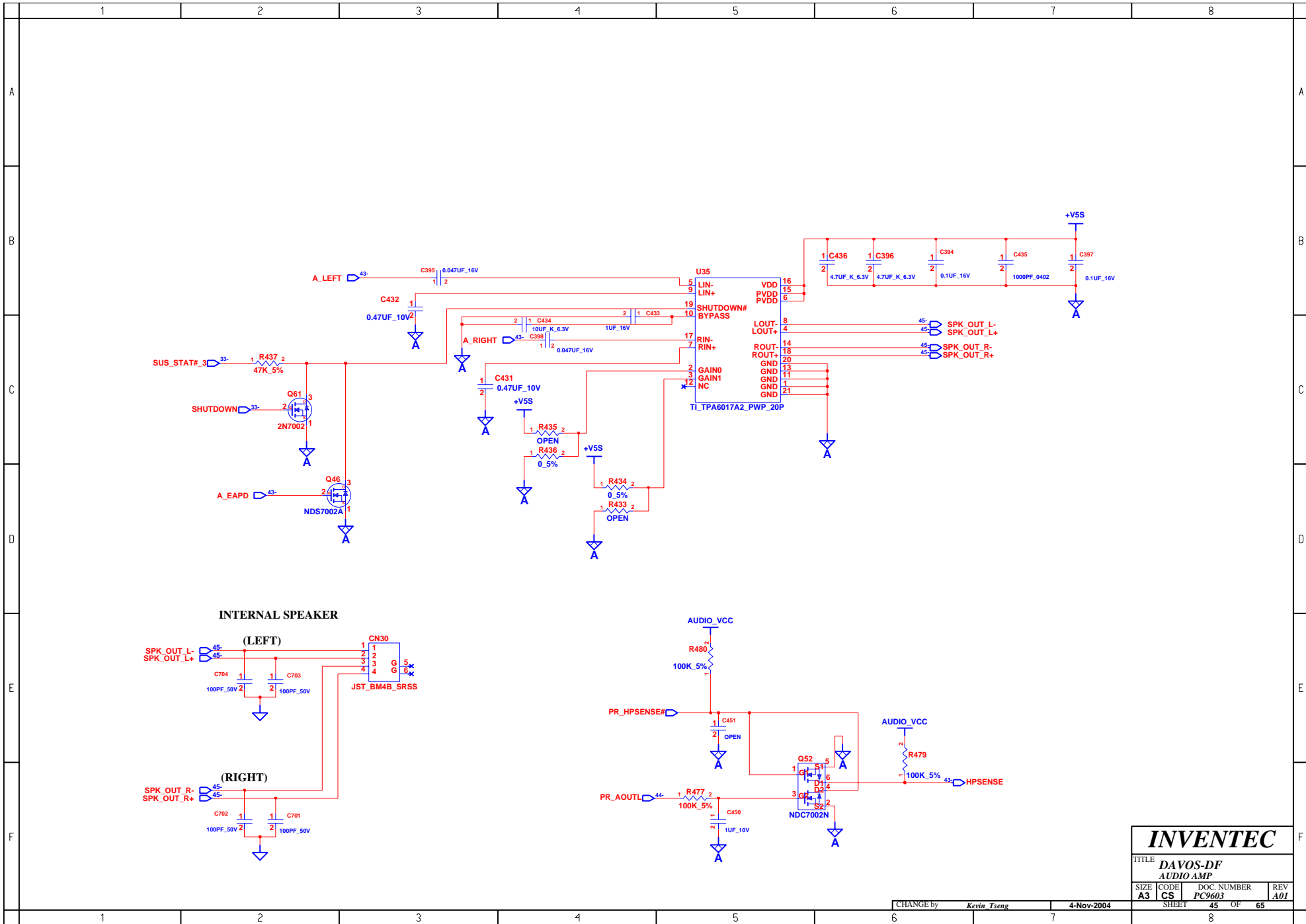


INVENTEC

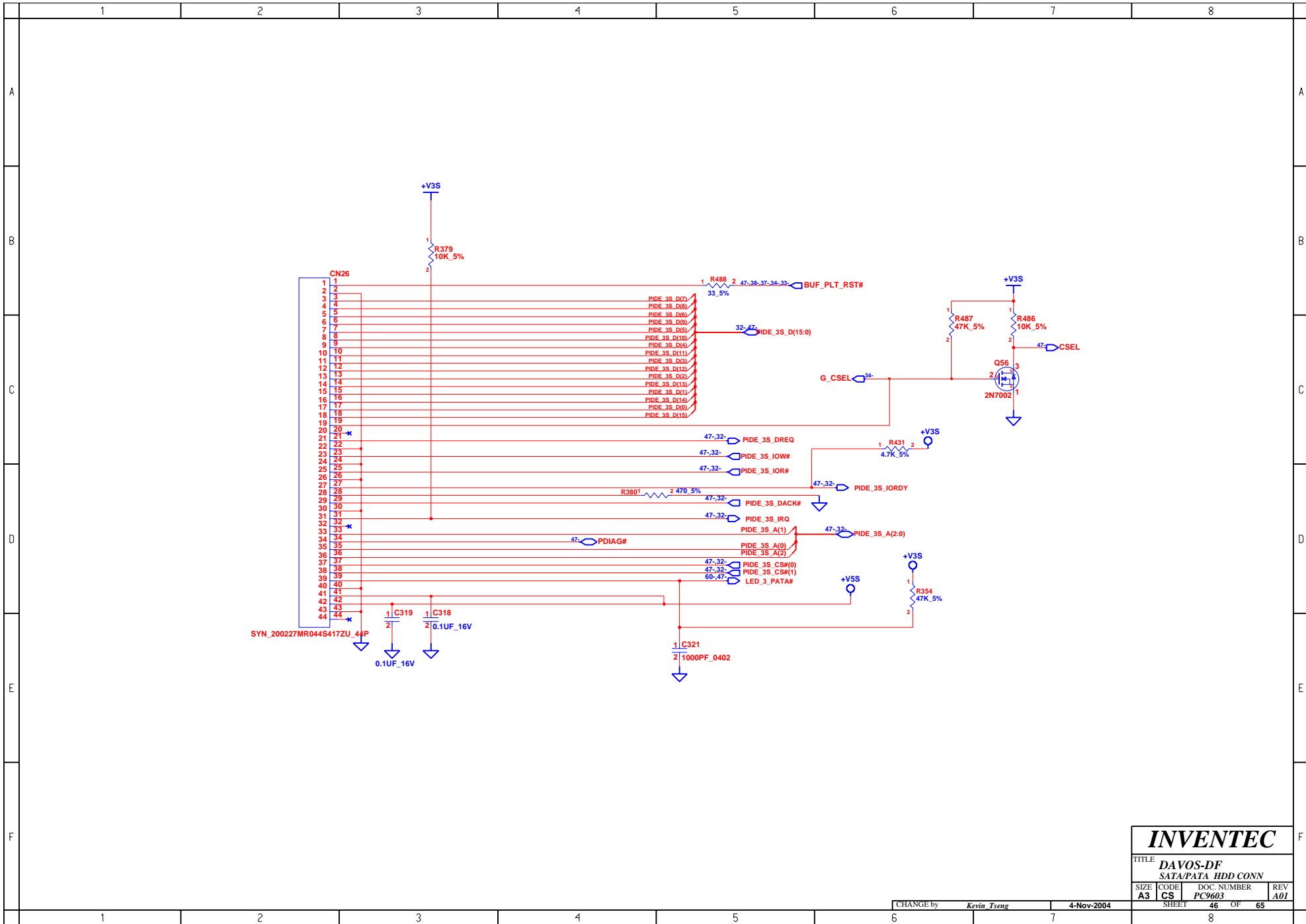
TITLE
DAVOS-DF
EQ, MIC & HP JACK

SIZE	CODE	DOC. NUMBER	REV
A3	CS	PC9603	A01

CHANGE by *Kevin Tseng* 4-Nov-2004 SHEET 44 OF 65



INVENTEC			
TITLE DAVOS-DF AUDIO AMP			
SIZE A3	CODE CS	DOC. NUMBER PC9603	REV A01
CHANGE by <i>Kevin Tseng</i>		4-Nov-2004	SHEET 45 OF 65

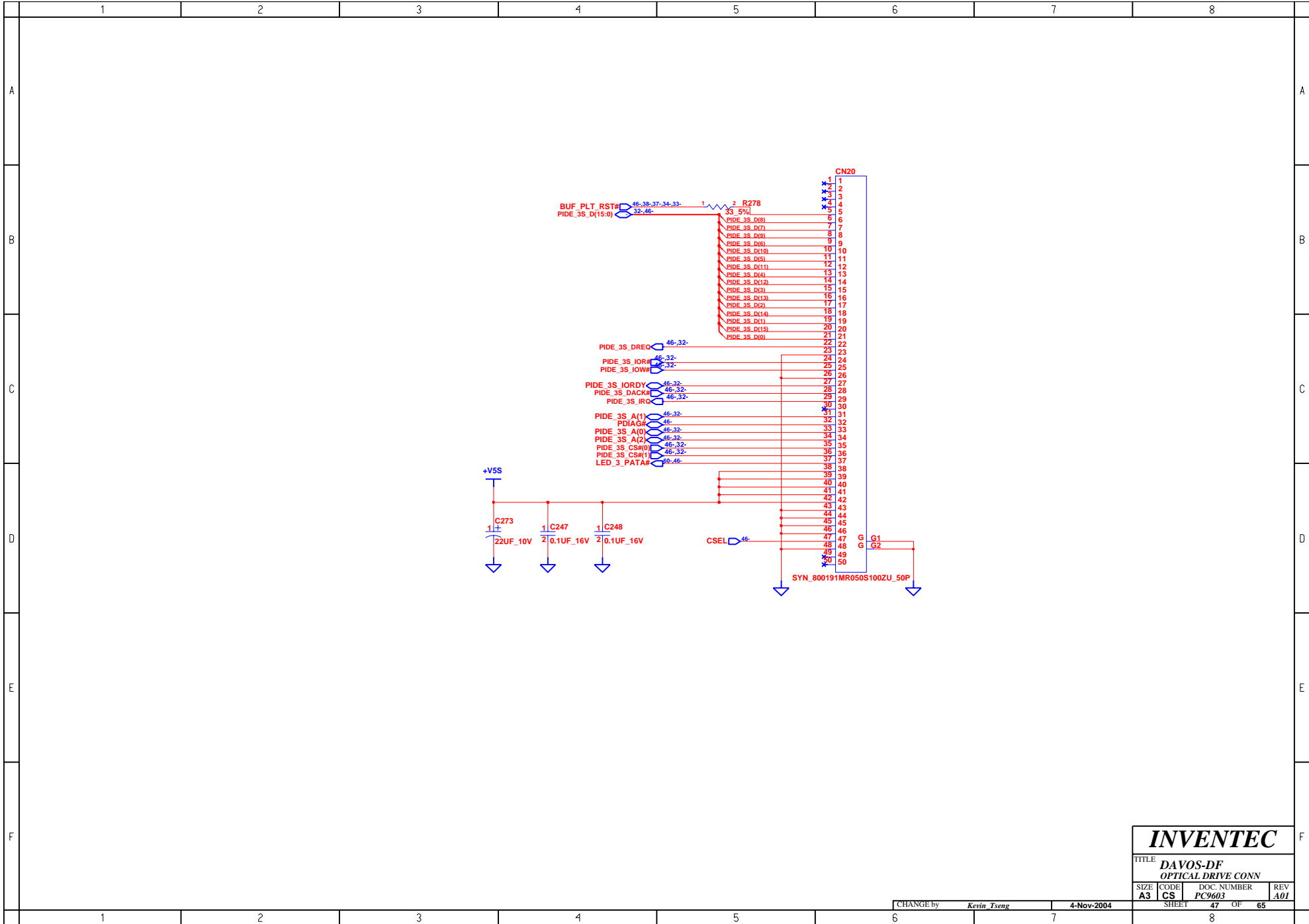


INVENTEC

TITLE **DAVOS-DF**
SATA/PATA HDD CONN

SIZE	CODE	DOC. NUMBER	REV
A3	CS	PC9603	A01

CHANGE by *Kevin Tseng* 4-Nov-2004 SHEET 46 OF 65



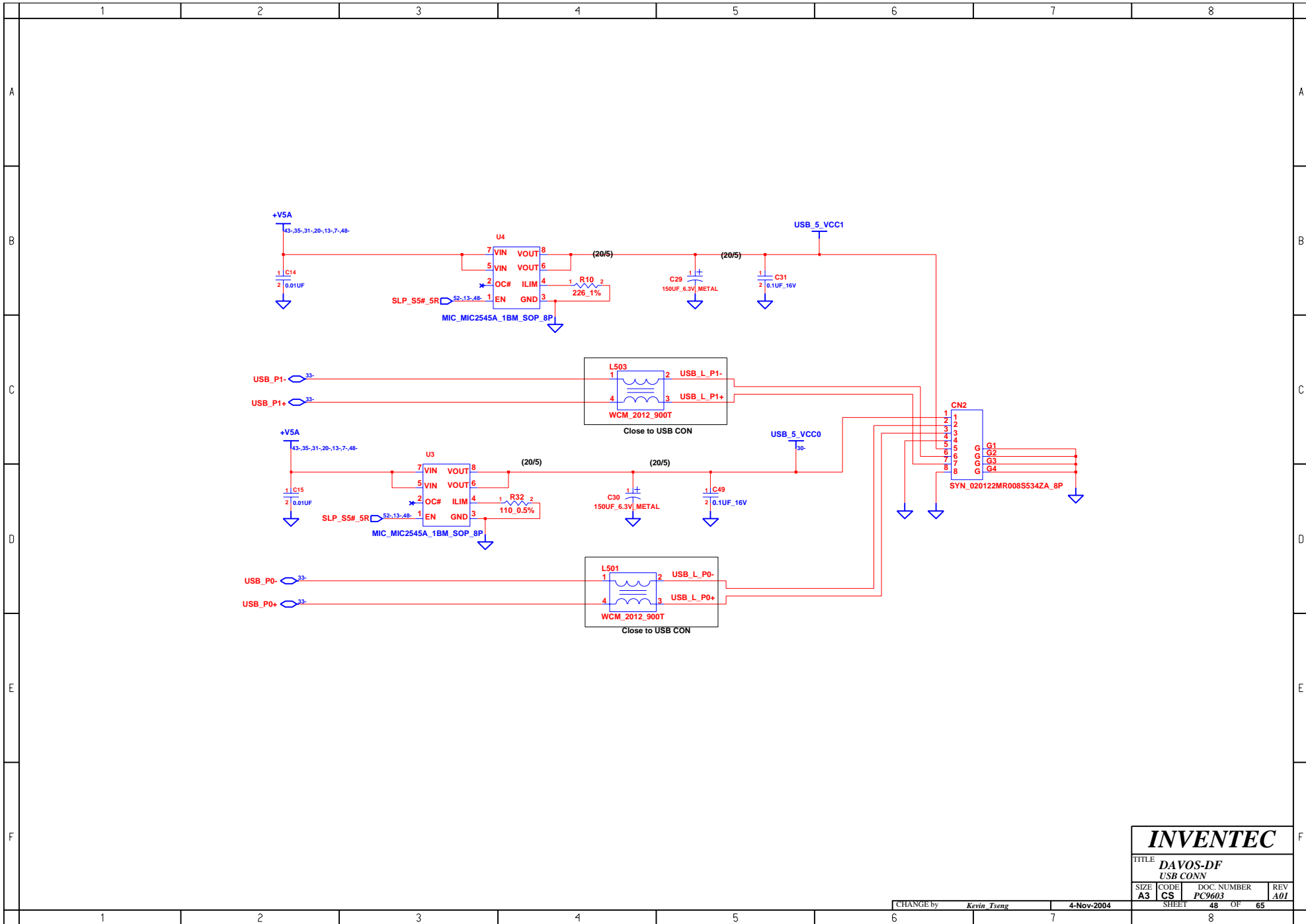
INVENTEC

TITLE
**DAVOS-DF
 OPTICAL DRIVE CONN**

SIZE A3	CODE CS	DOC. NUMBER PC9603	REV A01
-------------------	-------------------	------------------------------	-------------------

CHANGE by *Kevin Tseng* 4-Nov-2004

SHEET 47 OF 65



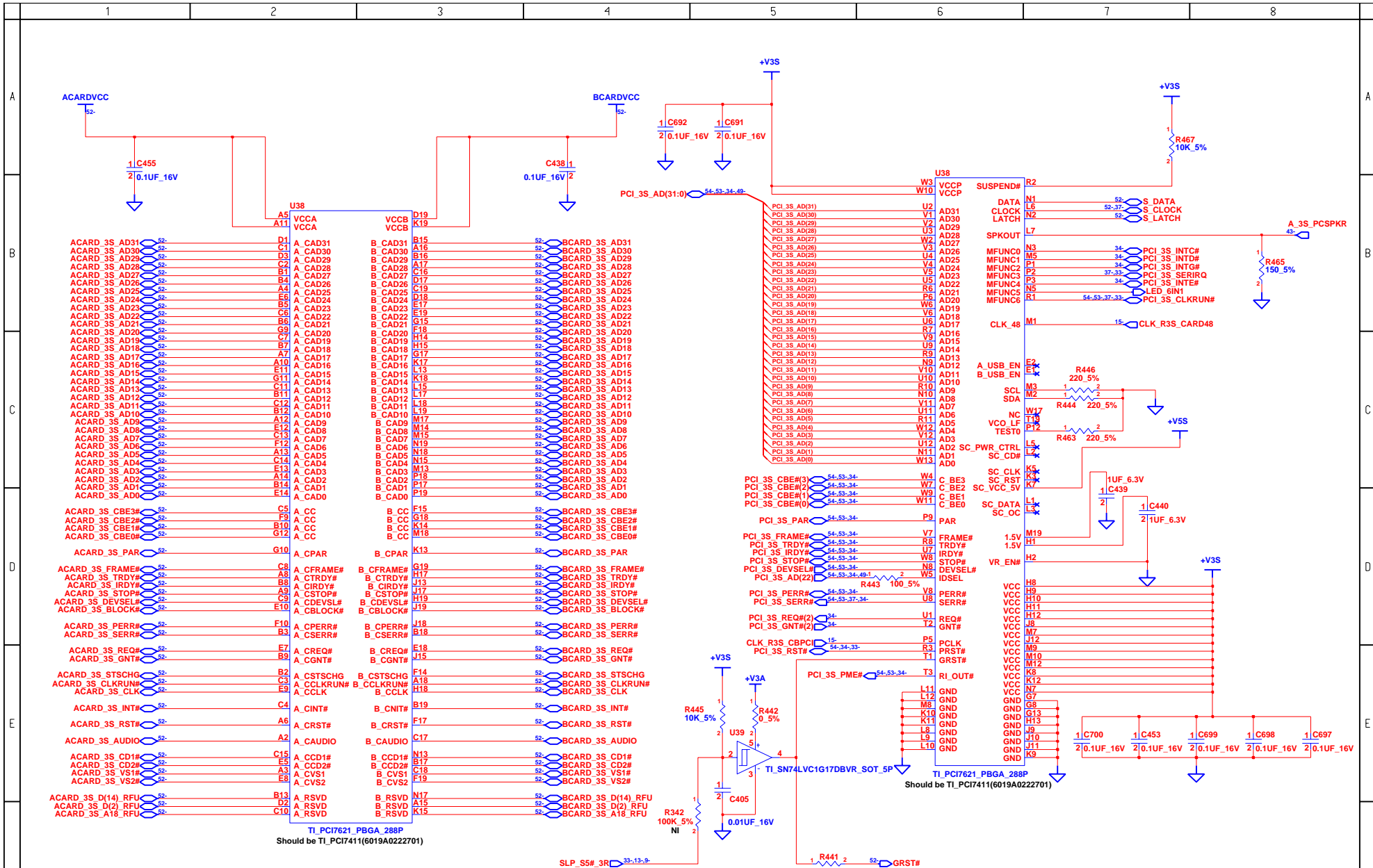
INVENTEC

TITLE
DAVOS-DF
 USB CONN

SIZE A3	CODE CS	DOC. NUMBER PC9603	REV A01
-------------------	-------------------	------------------------------	-------------------

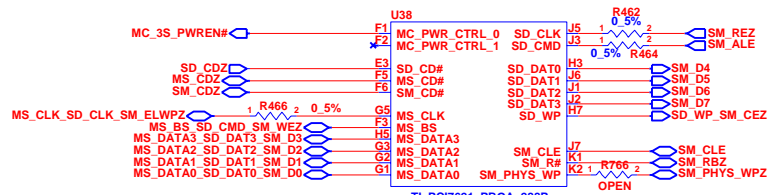
CHANGE by *Kevin Tseng* 4-Nov-2004

SHEET 48 OF 65



FF: TI_PCI7621
DF: TI_PCI7411

INVENTEC			
TITLE DAVOS-DF CARBUS CONTROLLER			
SIZE A3	CODE CS	DOC. NUMBER PC9603	REV A01
CHANGE by Kevin Tseng		4-Nov-2004	
SHEET 49		OF 65	



Should be TI_PCI7411(6019A0222701)

6 in 1 for FF only

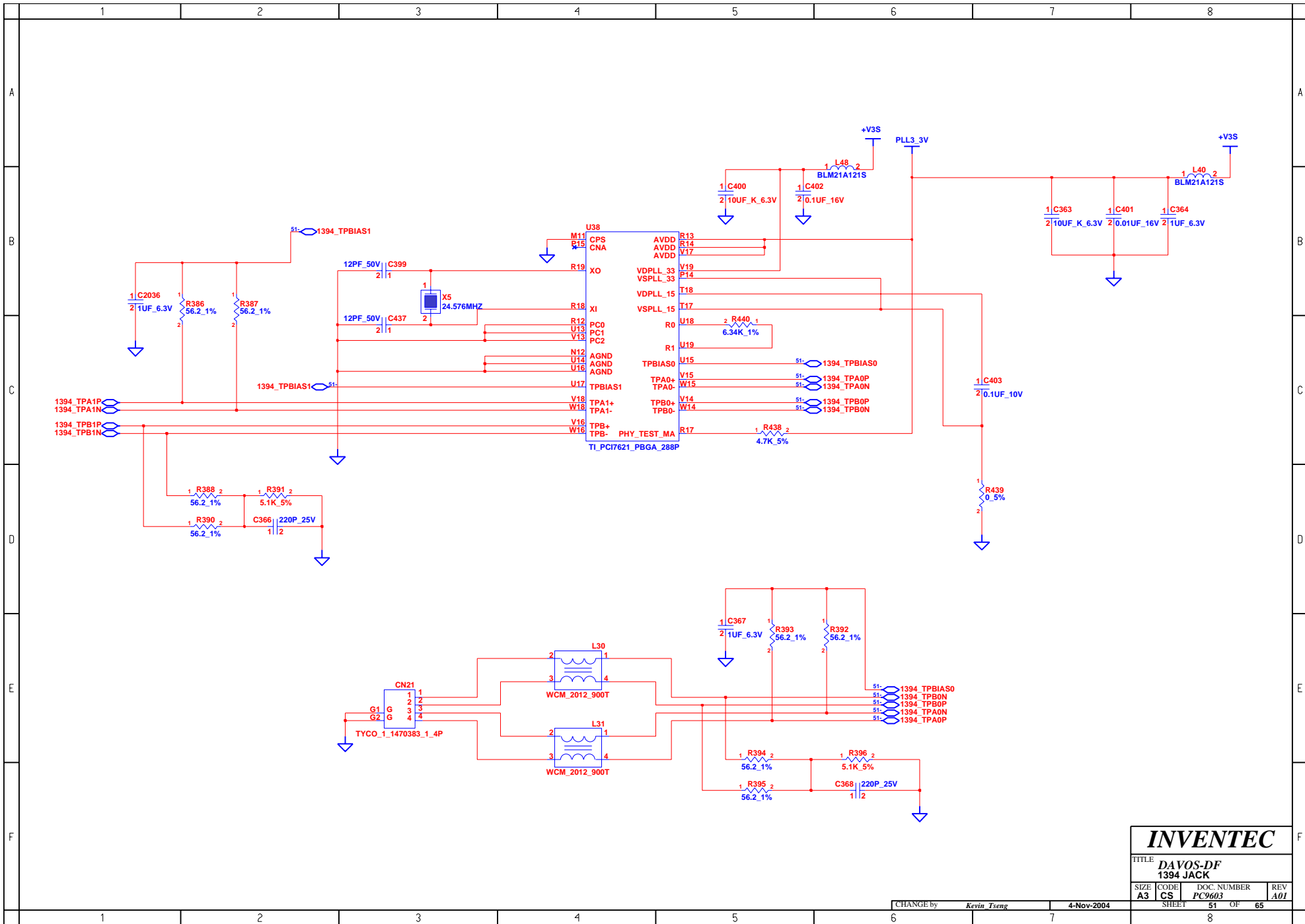
INVENTEC

TITLE
DAVOS-DF
6 IN 1 SLOT

SIZE A3	CODE CS	DOC. NUMBER PC9603	REV A01
------------	------------	-----------------------	------------

CHANGE by Kevin Tseng 4-Nov-2004

SHEET 50 OF 65



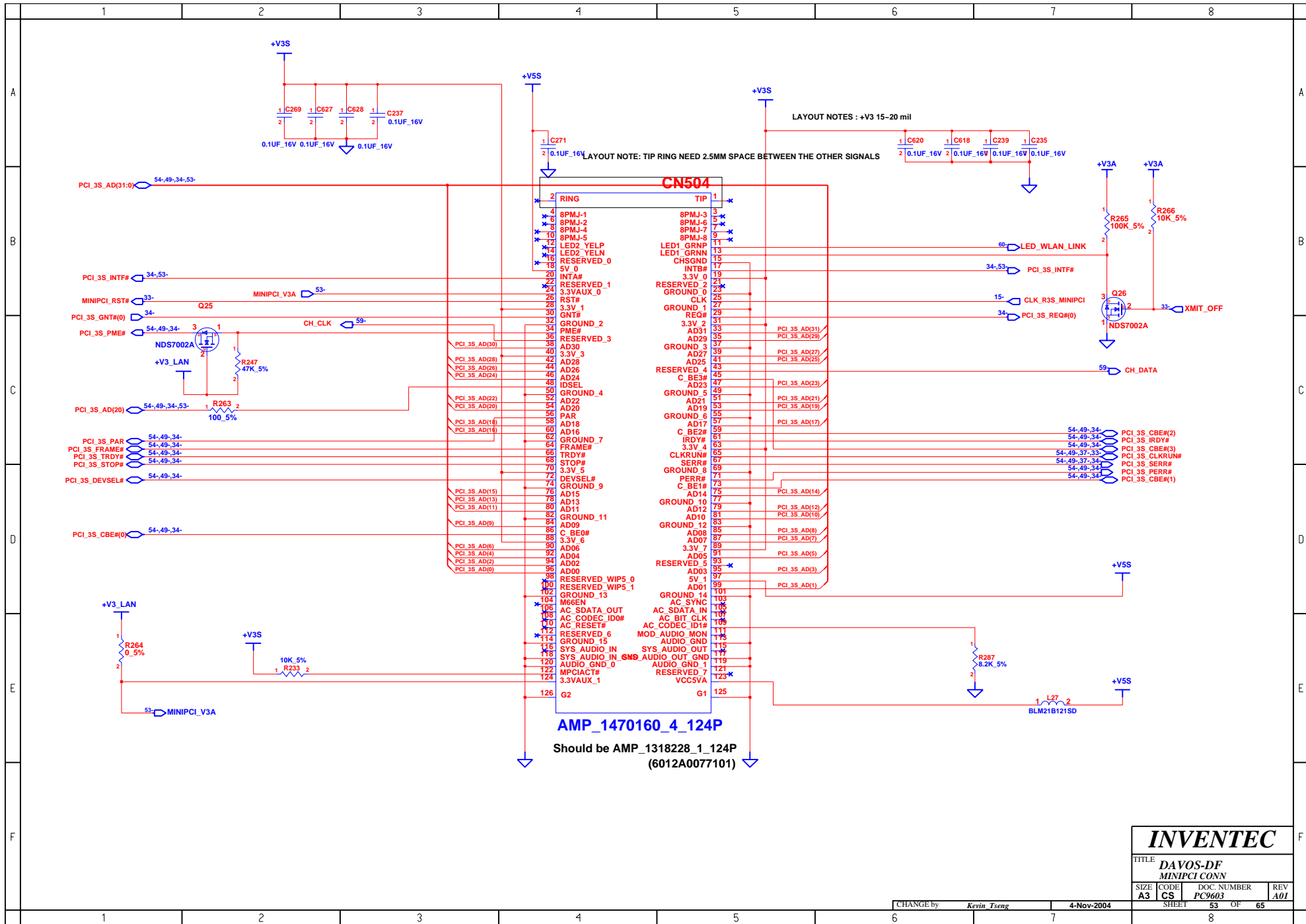
INVENTEC

TITLE
DAVOS-DF
1394 JACK

SIZE A3	CODE CS	DOC. NUMBER PC9603	REV A01
-------------------	-------------------	------------------------------	-------------------

CHANGE by *Kevin Tseng* 4-Nov-2004

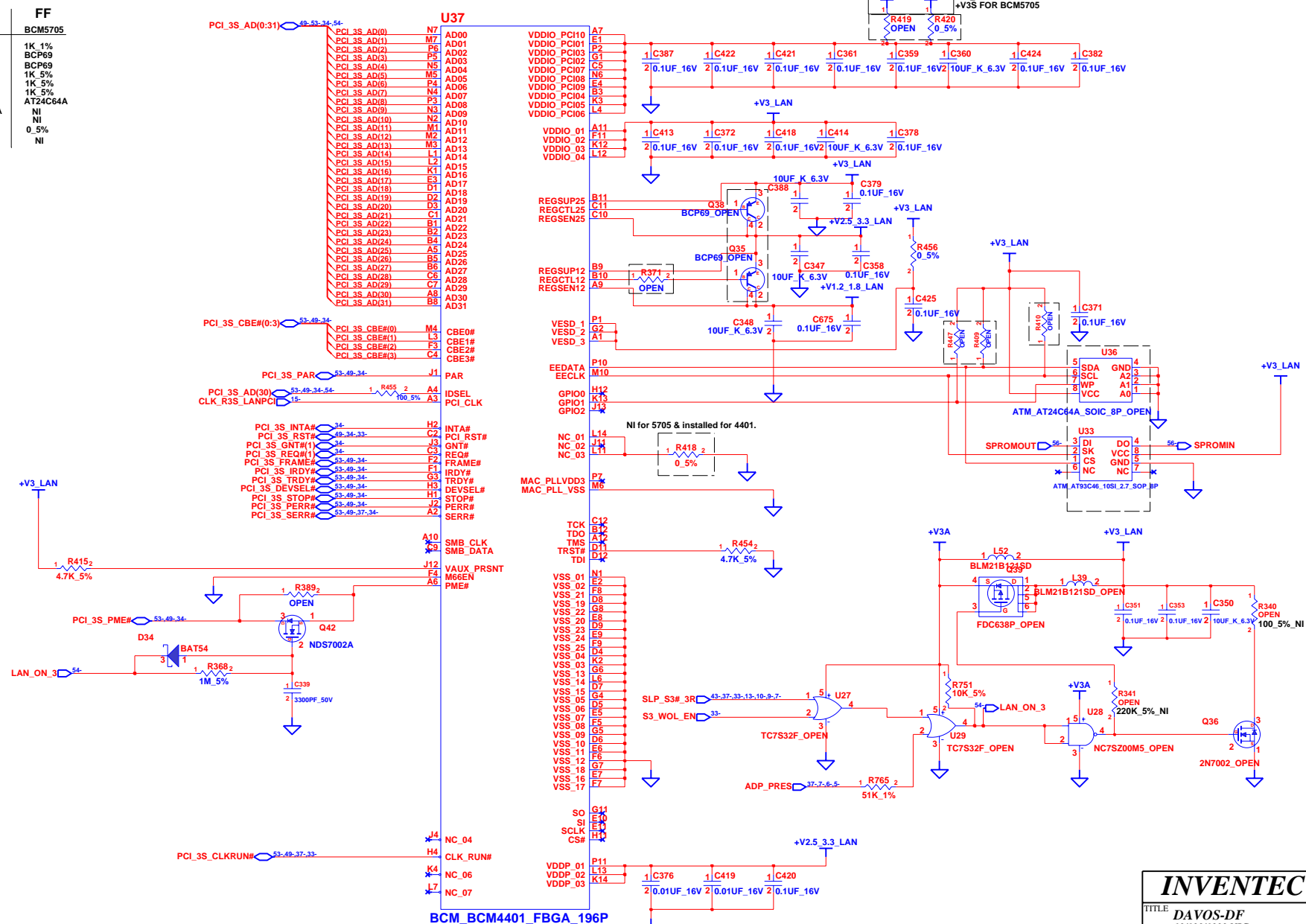
SHEET 51 OF 65



INVENTEC

TITLE			
DAVOS-DF			
MINIPCI CONN			
SIZE	CODE	DOC. NUMBER	REV
A3	CS	PC9603	A01

REF	DF	FF
	BCM4401	BCM5705
R371	NI	1K 1%
Q35	NI	BCP69
Q38	NI	BCP69
R447	NI	1K 5%
R409	NI	1K 5%
R410	NI	1K 5%
U36	NI	AT24C64A
U33	AT93C46A	NI
R420	0.5%	NI
R419	NI	0.5%
R418	0.5%	NI



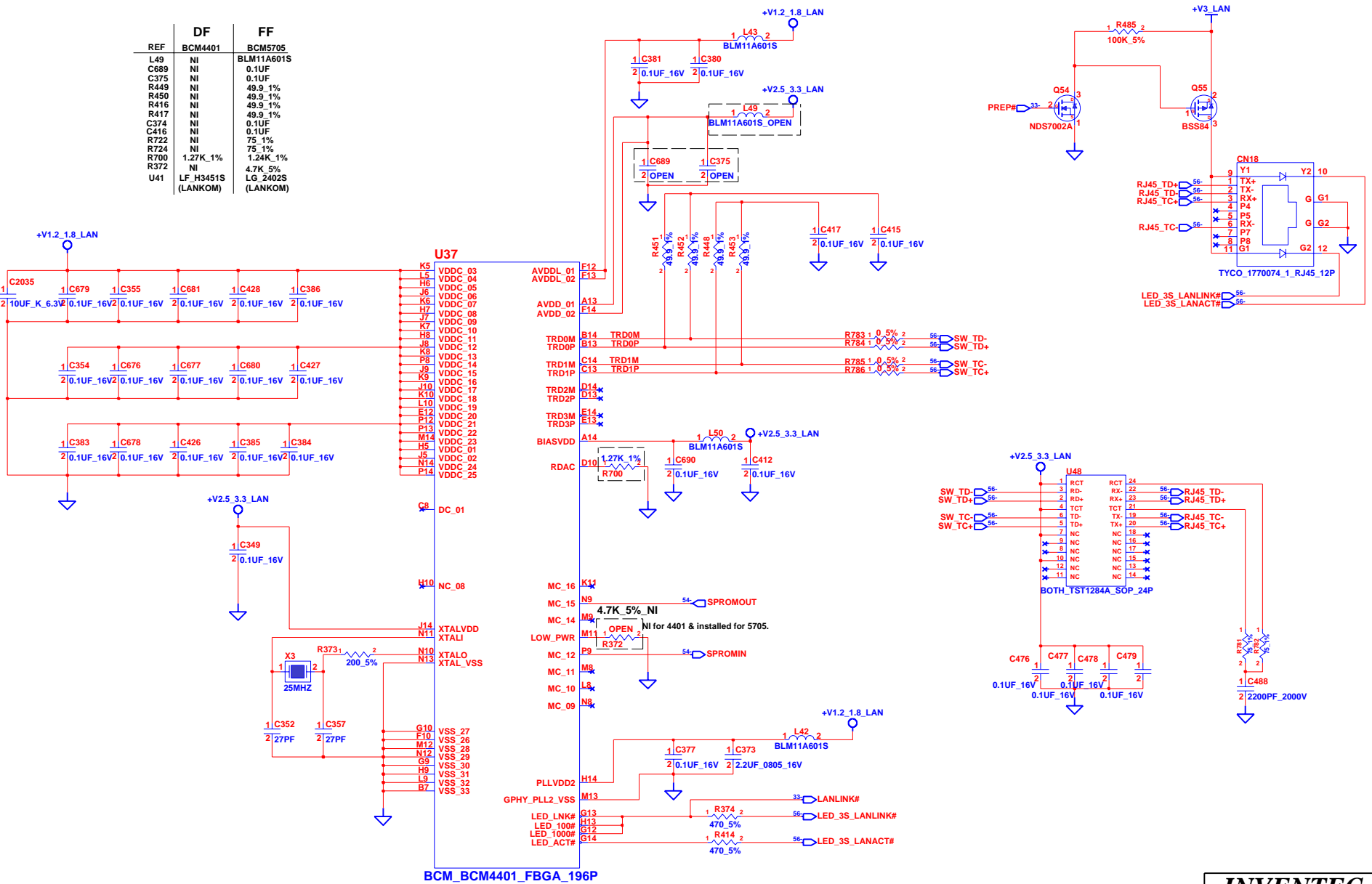
BCM BCM4401 FBGA 196P

INVENTEC			
TITLE DAVOS-DF 10/100/1000 NIC			
SIZE A3	CODE CS	DOC. NUMBER PC9603	REV A01

BLANK

INVENTEC			
TITLE DAVOS-DF BLANK			
SIZE A3	CODE CS	DOC. NUMBER PC9603	REV A01
CHANGE by <i>Kevin Tseng</i>		4-Nov-2004	
SHEET		55	OF 65
		8	

REF	DF	FF
	BCM4401	BCM5705
L49	NI	BLM11A601S
C689	NI	0.1UF
C375	NI	0.1UF
R449	NI	49.9_1%
R450	NI	49.9_1%
R416	NI	49.9_1%
R417	NI	49.9_1%
C374	NI	0.1UF
C416	NI	0.1UF
R722	NI	75_1%
R724	NI	75_1%
R700	1.27K_1%	1.24K_1%
R372	NI	4.7K_5%
U41	LF_H3451S (LANKOM)	LG_2402S (LANKOM)

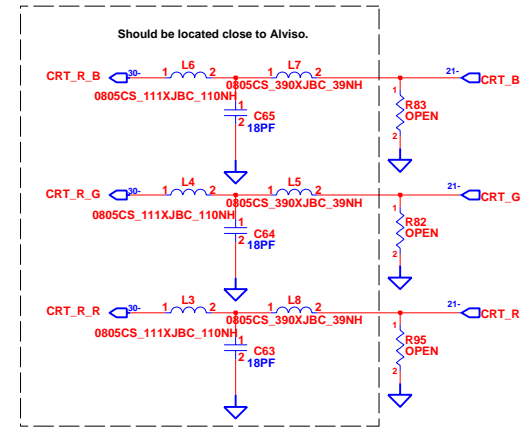


BCM_BCM4401_FBGA_196P

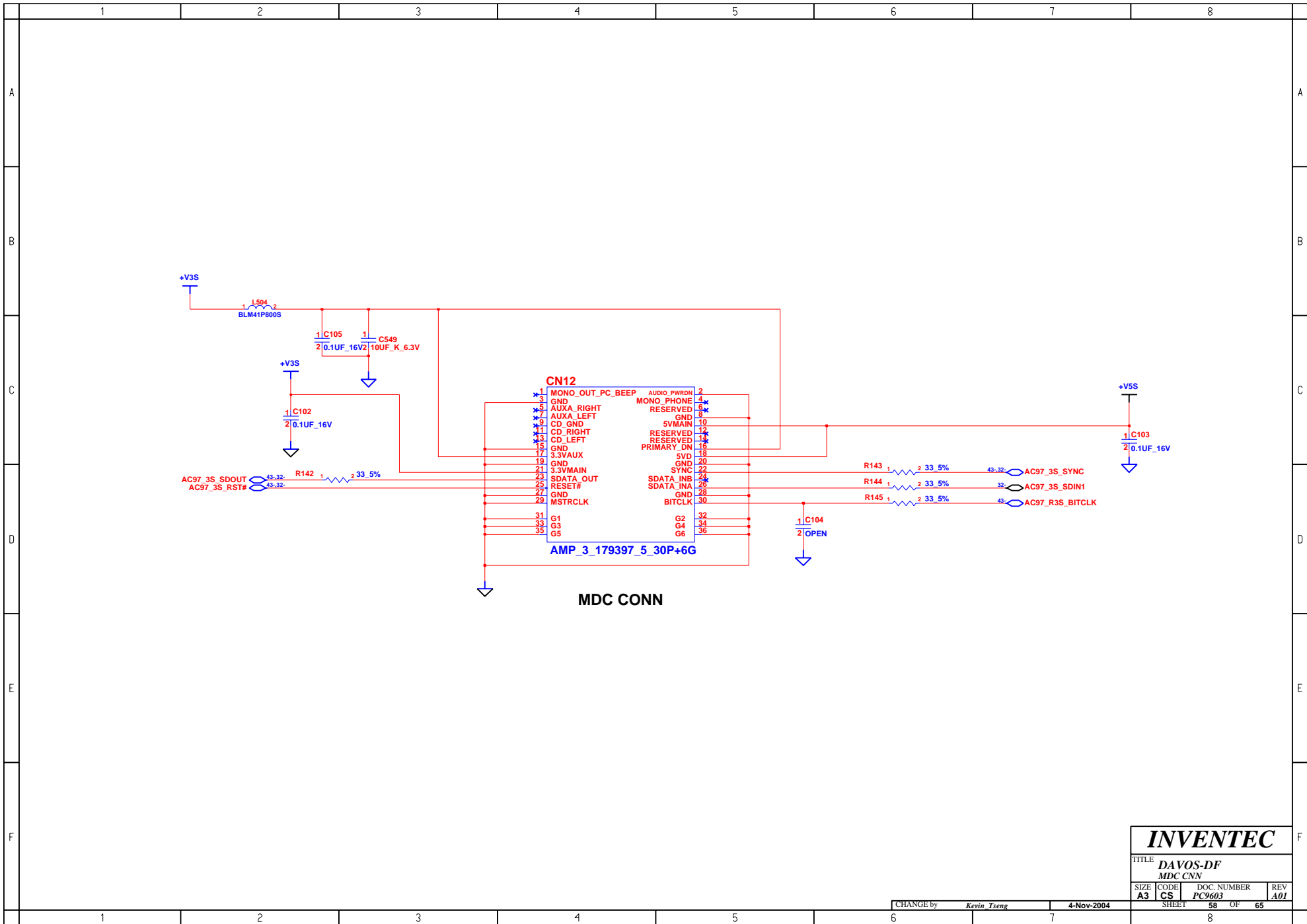
INVENTEC

TITLE			
DAVOS-DF NIC - TRANSFORMER			
SIZE	CODE	DOC. NUMBER	REV
A3	CS	PC9603	A01

Docking for FF only

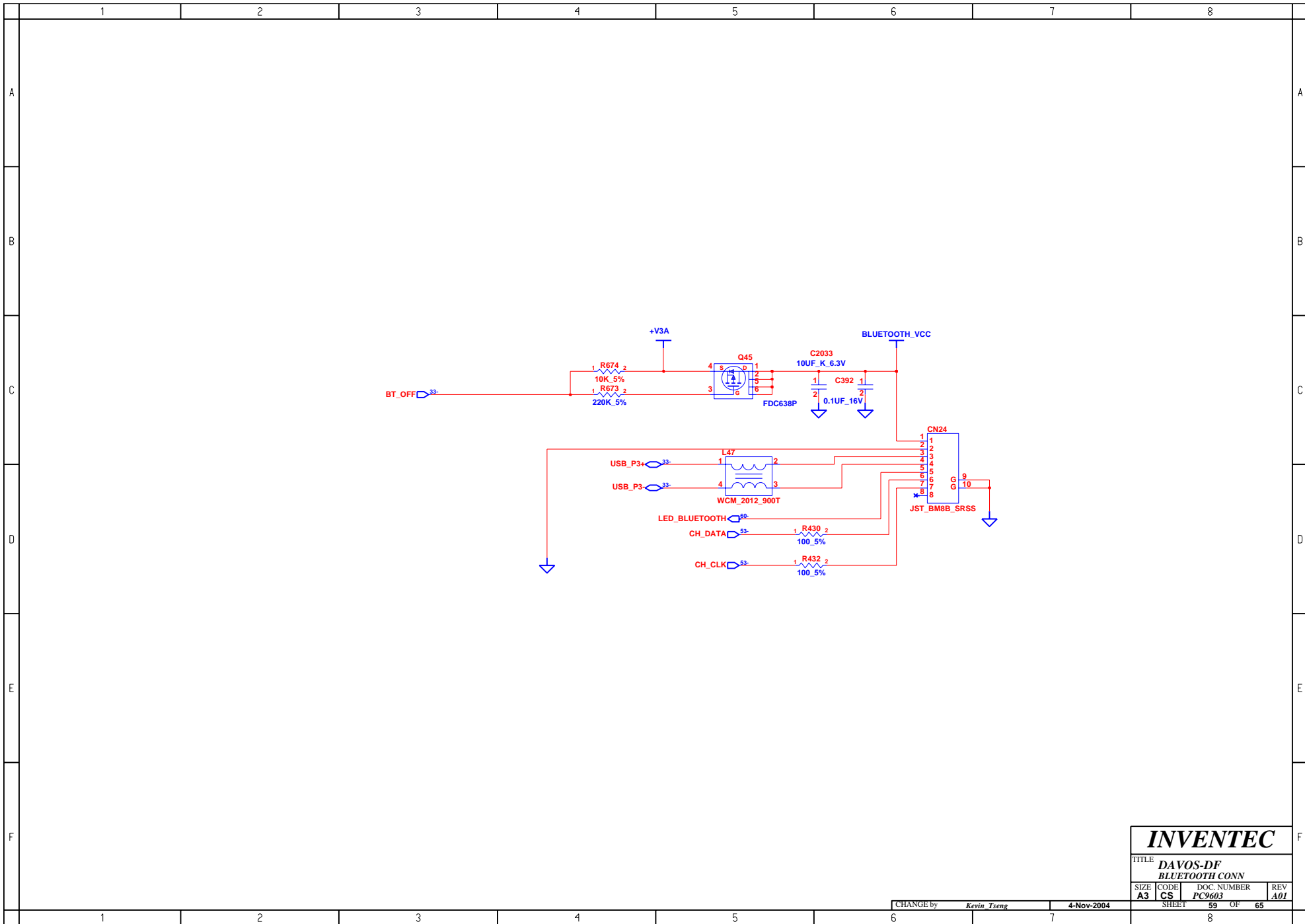


INVENTEC			
TITLE DAVOS-DF DOCKING CONN			
SIZE A3	CODE CS	DOC. NUMBER PC9603	REV A01
CHANGE by <i>Kevin Tseng</i>		4-Nov-2004	
SHEET		57	OF 65



INVENTEC

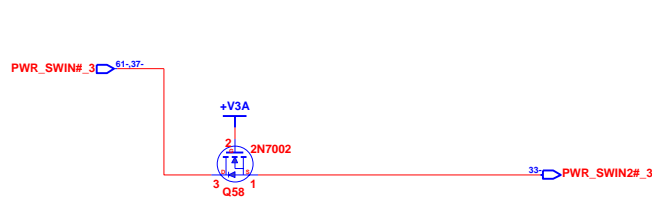
TITLE			
DAVOS-DF			
MDC CNN			
SIZE	CODE	DOC. NUMBER	REV
A3	CS	PC9603	A01



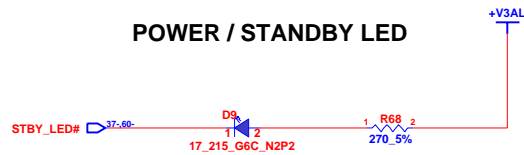
INVENTEC

TITLE **DAVOS-DF
BLUETOOTH CONN**

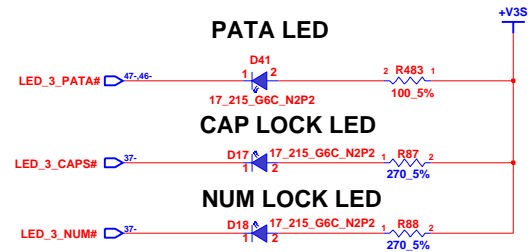
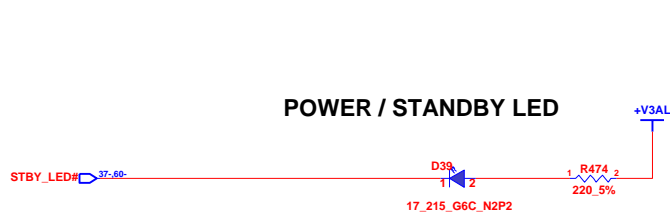
SIZE A3	CODE CS	DOC. NUMBER PC9603	REV A01
CHANGE by <i>Kevin Tseng</i>		DATE 4-Nov-2004	SHEET 59 OF 65



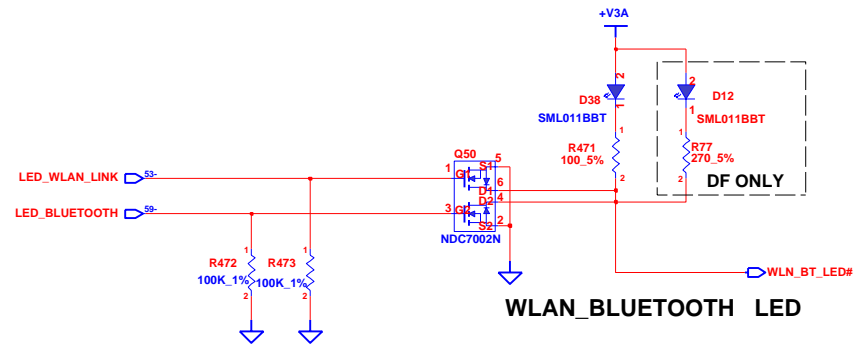
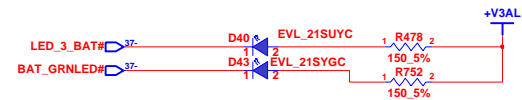
POWER / STANDBY LED



POWER / STANDBY LED

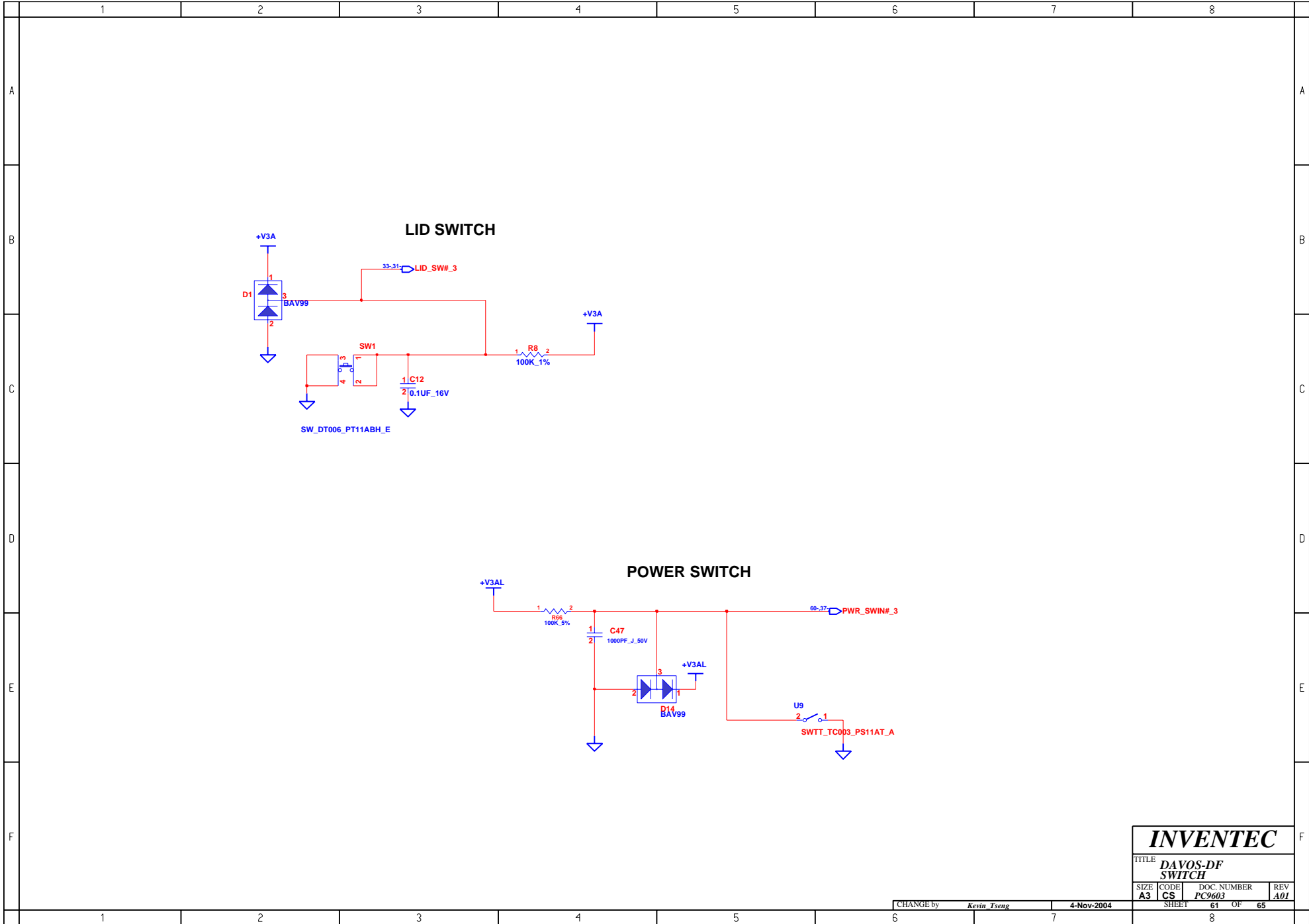


BATTERY-CHARGE LED



INVENTEC

TITLE			
DAVOS-DF			
LEDS			
SIZE	CODE	DOC. NUMBER	REV
A3	CS	PC9603	A01



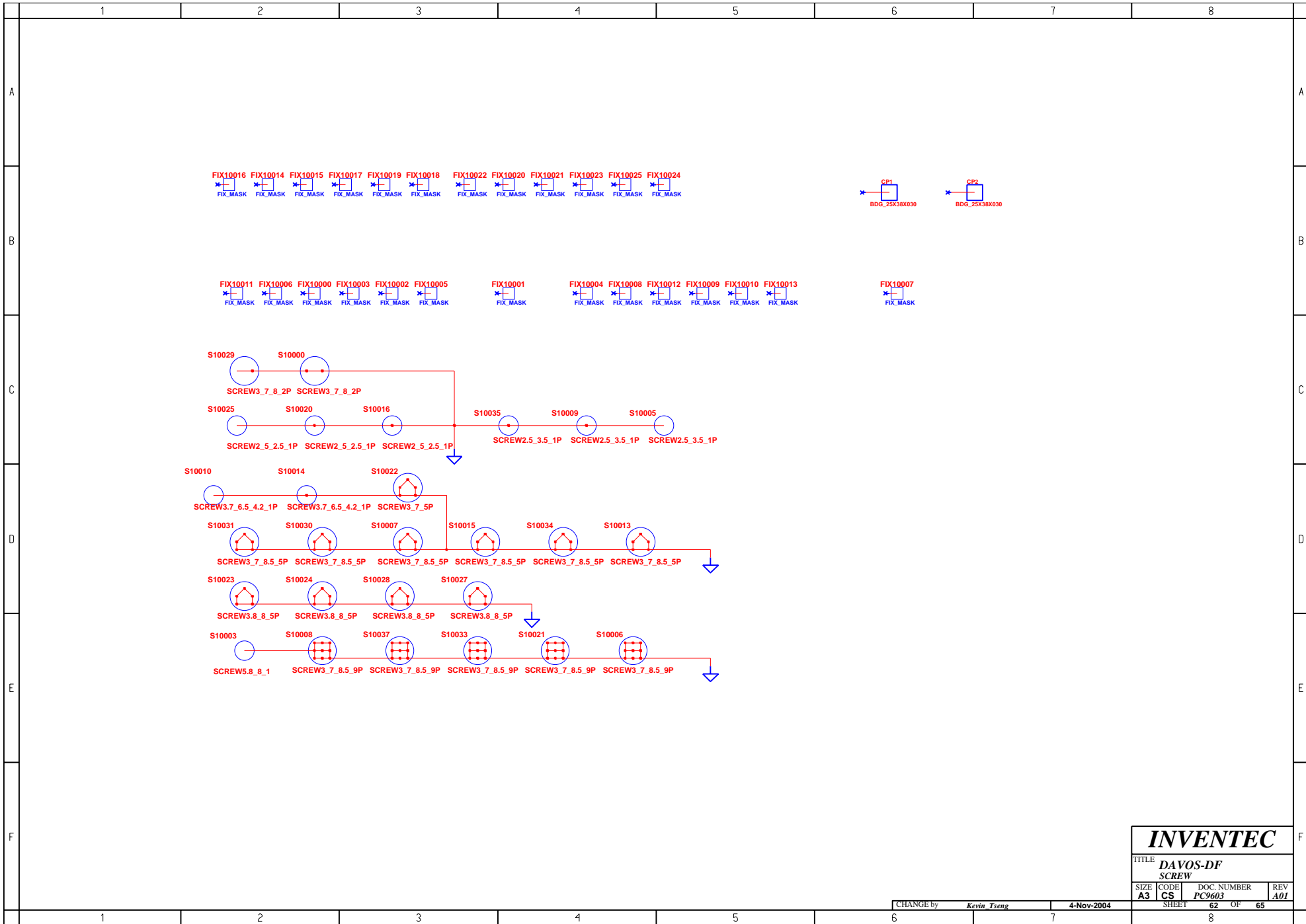
INVENTEC

TITLE
DAVOS-DF SWITCH

SIZE A3	CODE CS	DOC. NUMBER PC9603	REV A01
-------------------	-------------------	------------------------------	-------------------

CHANGE by *Kevin Tseng* 4-Nov-2004

SHEET 61 OF 65

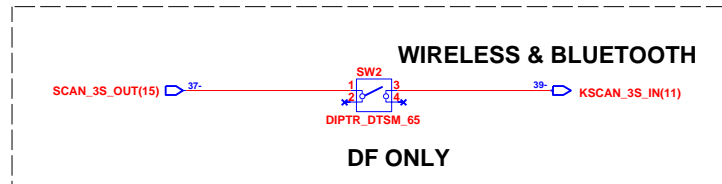


INVENTEC

TITLE			
DAVOS-DF			
SCREW			
SIZE	CODE	DOC. NUMBER	REV
A3	CS	PC9603	A01

BUTTON & LED DAUGHTER BOARD

For FF only



INVENTEC			
TITLE DAVOS-DF BUTTON & LED Daughter Board			
SIZE A3	CODE CS	DOC. NUMBER PC9603	REV A01
CHANGE by <i>Kevin Tseng</i>		4-Nov-2004	SHEET 63 OF 65

CHANGE by *Kevin Tseng* 4-Nov-2004

SHEET 63 OF 65

LCD CABLE

1	1		1	1
2	2	+V3S	2	2
3	3		3	3
4	4	+V3S	4	4
5	5		5	5
6	6	+V3S	6	6
7	7		7	7
8	8	LCM_DDCPCLK	8	8
9	9		9	9
10	10	LCM_DDCPDATA	10	10
11	11	LVDS_TXDLO-	11	11
12	12	LVDS_TXDLO+	12	12
13	13	LVDS_TXDL1-	13	13
14	14	LVDS_TXDL1+	14	14
15	15	LVDS_TXDL2-	15	15
16	16	LVDS_TXDL2+	16	16
17	17	LVDS_TXCL-	17	17
18	18	LVDS_TXCL+	18	18
19	19	GND	19	19
20	20	GND	20	20
21	21	LVDS_TXDU0-	21	21
22	22	LVDS_TXDU0+	22	22
23	23	LVDS_TXDU1-	23	23
24	24	LVDS_TXDU1+	24	24
25	25	LVDS_TXDU2-	25	25
26	26	LVDS_TXDU2+	26	26
27	27	LVDS_TXCU+	27	27
28	28	LVDS_TXCU-	28	28
29	29	GND	29	29
30	30	GND	30	30
31	31		31	31
32	32	ALS_EN	32	32
33	33	+V5A	33	33
34	34	+V5A	34	34
35	35	+V5A	35	35
36	36	INV_PWM_3	36	36
37	37	+V3S	37	37
38	38	GND	38	38
39	39	GND	39	39
40	40	GND	40	40

keyboard

1	1		1	1
2	2		2	2
3	3	SCAN_3S_OUT(9)	3	3
4	4	KSCAN_3S_IN(9)	4	4
5	5		5	5
6	6	KSCAN_3S_IN(1)	6	6
7	7	KSCAN_3S_IN(13)	7	7
8	8	SCAN_3S_IN(7)	8	8
9	9	KSCAN_3S_IN(6)	9	9
10	10	KSCAN_3S_IN(5)	10	10
11	11	SCAN_3S_OUT(1)	11	11
12	12	SCAN_3S_OUT(10)	12	12
13	13	SCAN_3S_OUT(6)	13	13
14	14	SCAN_3S_OUT(7)	14	14
15	15	SCAN_3S_OUT(4)	15	15
16	16	SCAN_3S_OUT(8)	16	16
17	17	SCAN_3S_OUT(3)	17	17
18	18	KSCAN_3S_IN(3)	18	18
19	19	KSCAN_3S_IN(1)	19	19
20	20	KSCAN_3S_IN(2)	20	20
21	21	KSCAN_3S_IN(4)	21	21
22	22	KSCAN_3S_IN(0)	22	22
23	23	KSCAN_3S_IN(10)	23	23
24	24	KSCAN_3S_IN(12)	24	24
25	25	KSCAN_3S_IN(8)	25	25
26	26	KSCAN_3S_IN(14)	26	26
27	27	SCAN_3S_OUT(5)	27	27
28	28	SCAN_3S_OUT(2)	28	28
29	29	SCAN_3S_OUT(0)	29	29
30	30	SCAN_3S_OUT(11)	30	30

Card Bus 6 in 1

1	1	VCC_MC	1	1
2	2	VCC_MC	2	2
3	3	VCC_MC	3	3
4	4	VCC_MC	4	4
5	5	LCD_6IN1	5	5
6	6	GND	6	6
7	7	MS_DATA0_SD_DAT0_SM_D0	7	7
8	8	MS_DATA1_SD_DAT1_SM_D1	8	8
9	9	MS_DATA2_SD_DAT2_SM_D2	9	9
10	10	MS_DATA3_SD_DAT3_SM_D3	10	10
11	11	GND	11	11
12	12	MS_CLK_SD_CLK_SM_ELWPZ	12	12
13	13	GND	13	13
14	14	MS_BS_SD_CMD_SM_WEZ	14	14
15	15	SM_ALE	15	15
16	16	SM_CLE	16	16
17	17	MS_CDZ	17	17
18	18	SD_CDZ	18	18
19	19	SD_WP_SM_CEZ	19	19
20	20	GND	20	20
21	21	SM_REZ	21	21
22	22	GND	22	22
23	23	SM_RBZ	23	23
24	24	SM_D4	24	24
25	25	SM_D5	25	25
26	26	SM_D6	26	26
27	27	SM_D7	27	27
28	28	SM_PHYS_WPZ	28	28
29	29	SM_EDZ	29	29
30	30	GND	30	30

BLUETOOTH CABLE

1	1	BLUETOOTH_VCC	8	8
2	2	GND	7	7
3	3	USB_P3+	6	6
4	4	USB_P3-	5	5
5	5	LED_BLUETOOTH	4	4
6	6	CH_DATA	3	3
7	7	CH_CLK	2	2
8	8		1	1

USB CABLE

1	1	+5A_USB	1	1
2	2	+5A_USB	2	2
3	3	+5A_USB	3	3
4	4	+5A_USB	4	4
5	5	USB_P6-	5	5
6	6	USB_P6+	6	6
7	7	USB_P7-	7	7
8	8	USB_P7+	8	8
9	9	GND	9	9
10	10	GND	10	10
11	11	GND	11	11
12	12	GND	12	12

TOUCHPAD CABLE

1	1	+V3S	1	1
2	2	IM_SS_DATA	2	2
3	3	IM_SS_CLK	3	3
4	4	GND	4	4
5	5		5	5
6	6		6	6
7	7		7	7
8	8		8	8

AUDIO CABLE

1	1	PR_AOUTL_DB	1	1
2	2	AUDIO_VCC_DB	2	2
3	3	PR_AOUTR_DB	3	3
4	4	AUDIO_VREF_DB	4	4
5	5	HPL_DB	5	5
6	6	GND	6	6
7	7	HPR_DB	7	7
8	8	GND	8	8
9	9	A_MIC1_DB	9	9
10	10	GND	10	10
11	11	A_MIC2_DB	11	11
12	12	GND	12	12

RJ45

1	1	RJ45TC+	3	3
2	2	RJ45TD-	2	2
3	3	LED_3S_LANLINK#	12	12
4	4		11	11
5	5	+V3S	10	10
6	6	RJ45TA+	9	9
7	7	RJ45TA-	8	8
8	8	+V3S	7	7
9	9	RJ45TB-	6	6
10	10	RJ45TB+	5	5
11	11	RJ45TC-	4	4
12	12	RJ45TD+	1	1

RJ11

1	1	TIP	1	1
2	2	RING	2	2
			1	1
			2	2

SWITCH PCB CABLE

1	1	+V3A	12	12
2	2	+V3S	11	11
3	3	A_EAPD	10	10
4	4	WLN_BY_LED#	9	9
5	5	SCAN_3S_OUT(15)	8	8
6	6	KSCAN_3S_IN(8)	7	7
7	7	KSCAN_3S_IN(9)	6	6
8	8	KSCAN_3S_IN(10)	5	5
9	9	KSCAN_3S_IN(11)	4	4
10	10	KSCAN_3S_IN(12)	3	3
11	11	KSCAN_3S_IN(13)	2	2
12	12	GND	1	1

INVENTEC

TITLE
DAVOS-DF
Cables

SIZE	CODE	DOC. NUMBER	REV
A3	CS	PC9603	A01

CHANGE by *Kevin Tseng* 4-Nov-2004

SHEET 64 OF 65

IEC / HP Davos 1.0 Schematic Changes				PV-1				
<i>HP Confidential Information</i>					Last Updated: October 28, 2004			
Item #	Component / Subsection	PG. #	Description of Requested Change	Date Open / Closed	Requested By	Status	IEC FBK/Date	
1	ITP Conn (CN22)	19	Zone C6. Add 0.1uF no install capacitors pads to the following traces: H_TMS H_TCK H_TDO H_TRST# ITP_DBRESET Place the pads as close to the ITP conn as possible and keep the stubs as short as possible.	2004/9/17	BR	Open	Zone C6. Add 0.1uF no install capacitors pads to the following traces: H_TMS(C5003) H_TCK(C5004) H_TDO(C5005) H_TRST#(C5006) ITP_DBRESET(C5007) Place the pads as close to the ITP conn as possible and keep the stubs as short as possible.	
2	Alviso	22	Zone C6. Add 0.1uF no install capacitor to H_CPURST#. Place the pads as close to Alviso as possible and keep the stubs as short as possible.	2004/9/17	BR	Open	Add C5008 to H_CPURST#. But there is no place can put the pad close to Alviso, so that put it close to ITP connector.	
3	Wireless button	63	Zone F3, Delete pin2 & 4 of SW2 to ground, made it to NC.	2004/9/27	IEC	Open	Fixed in 0927.	
4	6 in 1	50	Change pin2&3 of U42, pin1 of R720 to from +V5S to +V3S.	2004/9/27	IEC	Open	Fixed in 0927.	
5	6 in 1	50	Zone D6, Exchange pin define of CN5001, pin20, pin21.	2004/9/27	IEC	Open	Fixed in 0927.	
6	Power	11	Zone B4, Change C198 to 4.7uF_6.3V-for GSM interference issue.	2004/9/27	IEC	Open	Fixed in 0927.	
7	Thermal	20	Zone D5, Change C290 to 4.7uF_6.3V-for GSM interference issue.	2004/9/27	IEC	Open	Fixed in 0927.	
8	CRT	30	Zone C1, Add three analog bus switches to the RGB lines going to the notebook CRT connector.	2004/9/17	HP	Open	Zone C1, Add three analog bus switches(U2001, U2002, U2003) to the RGB lines going to the notebook CRT connector.	
9	CLK gen	15	Zone C3, Change CLK_R3S_CBPCI from pin5(PCI5) of U30 to pin56(PCI2), Separate CLK_R3S_SIOPCI and CLK_R3S_FWHPCI from pin4(PCI4), and connect CLK_R3S_SIOPCI to pin5(PCI5) of U30.	2004/10/4	IEC	Open	Fixed in 1004.	
10	CLK gen	15	Zone C3, Change R667, R712, R397, R650 to 12.1_1%, change R398, R711 to 33_5%.	2004/10/4	IEC	Open	According to Sonoma Platform Design Guide, PCICLK for sharing and alone should be different resistor value, 12.1% for sharing, 33_5% for alone.	
11	ITP port	19	Zone C5, change R303 to open.	2004/10/4	IEC	Open	According to Sonoma Platform Design Guide Section 4.6.1.4 – ITP disable guidelines, we don't need R303 on TDO, if ITP disable.	
12	CLK gen	15	Zone B6, Change R329, R330 to open.	2004/10/4	IEC	Open	For ITP disable.	
13	NIC	15	Change NIC cotroller and related circuits to FF used.	2004/10/4	IEC	Open	For FF and DF schematic be separated.	
14	Powergood circuit	13, 14	Sheet 13 zone C3. Connect PWR_GOOD_3 signal to pin 3 of Q28. Sheet 14 zone A6. Change R138 from10K5% to OPEN.	2004/10/6	BR	Open	This fixes OTS#138447 System will reboot instead of going into standby.--Fixed in 10/07.	
15	Audio	45	Zone B7. Change C286 from 330uF_6.3V_METAL to OPEN	2004/10/6	BR	Open	Fixes OTS#014280 and OTS#0142219 Audio noise issues. This capacitor is not needed per our audio engineer.--Fixed in 10/07.	
16	North bridge	24	Zone D4. Change L23 to FBM_11_322513_201A40T---in order to can handle up to 4A.	2004/10/7	HP	Open	--Fixed in 10/07.	

17	NIC	56	Zone E8, Remove CN28 for lan signal to docking going to on board.	2004/10/8	IEC	Open	--Fixed in 10/08.
18	NIC	57	Zone E8, Remove CN10 for lan signal to docking going to on board.	2004/10/8	IEC	Open	--Fixed in 10/08.
19	All	All	Change reference, C5003->C713, C5004->C714, C5005->C715, C5006->C716, C5007->C717, C5008->C718, U2001->U512, U2001->U512, U2002->U513, U2003->U514.	2004/10/8	IEC	Open	--Fixed in 10/08.
20	Power	7	Add 1000pf cap(C719). from R743p1 to GND Add .1uf cap(C720). from U510p2 to GND Add 220k(R776) from U509p1 ()to U509p3. Disconnect V3AL_OFF# from U510p7 Disconnect Q533p3 from R742 Add NFET(Q534), tie gate to Q533p1, drain to Q533p3 and to V3AL_OFF#, and source to R742p2 & U510p1. Change U509 to MIC5235 Change R740 to 30.1k	2004/10/9	HP	Open	Issue was discovered with U510 pg7 in which it could begin to oscillate pulling down +V5AL prohibiting the system from booting. --Fixed in 10/11 schematic.
21	VGA	30	Change pin 5 of U512/U513/U514 from +V2.5S to +V5S, Change pin1 from PREP# to ISO_PREP.	2004/10/11	IEC	Open	Change its VCC to +V5S for having a lower Ron, change enable pin of switch from PREP# to ISO_PREP# for preventing switch active when system off. --Fixed in 10/11.
22	Audio	43	Change pin2 of L51 connect to pin1 of C362/C687/C686.	2004/10/11	IEC	Open	For SI2 Audio low level test failed issue. --Fixed in 10/11.
23	Power	13	Change R332 to 1K.	2004/10/12	HP	Open	470 pullup for PWR_GOOD is too strong. --Fixed in 10/12.
24	ITP	13	Add C721, C722, C723, C724, C725, C726--0.027uF no install caps on following signals--H_BPM0_ITP#, H_BPM1_ITP#, H_BPM2_ITP#, H_BPM3_ITP#, H_BPM4_PRDY#, H_BPM5_PREQ#, H_TCK.	2004/10/12	HP	Open	AC/DC transition & hang issue. --Fixed in 10/12.
25	Power	5	Zone A4, R14 from 909 change to 221---Change OCP value.	2004/10/13	IEC	Open	Issue for OCP is throttling the CPU on AC --Fixed in 10/22
26	Power	11	Zone B5, Add a 300 ohm resistor(R777) between C592 and +VBATR that can reduce Vcore drop during +VbatR raising.	2004/10/14	IEC	Open	AC/DC transition & hang issue. --Fixed in 10/22
27	Audio	45	Zone B7, Remove C286 in order to place two transformers.	2004/10/14	IEC	Open	Fixed in 10/22
28	Power	10	Delete original circuits, add U47(TPS51100), R778, C466, C467, C468, C469, C470, C471.---For M_VREF is going to 0V when the failing system (Davos SI2 Model 1 with 256MB ProMOS memory) is returning from S3.	2004/10/26	IEC	Open	Fixed in 10/26
29	NIC	56	Change U46 to Pericom PI3L301DA, add C472, C5005, C474, C475. Add one more transformer(U48) Bothhand GST5009 and C476, C477, C478, C479, R779, R780, R781, R782, C488 Also change U41 to GST5009. Add no install resistors--R783, R784, R785, R786 for DF only.	2004/10/22	IEC	Open	Fixed in 10/22--update in 11/04
30	Power	11	Add eight 0.01uF(no install) caps(C480, C481, C482, C483, C484, C485, C486, C487), and C473 no install bulk cap on +VBATR plane.--for decoupling noise from +VBATR	2004/10/22	IEC	Open	Fixed in 10/22--update in 11/04

31	RTC	32	Zone B3, Change X4 to vail used, change C389, C429 from 15pF to 10pF in bom.	2004/10/27	IEC	Open	Fixed in 10/27
32	Alviso	21	Zone C6, Change R590 from 255_1% to 243_1% to modify R,G,B max Voltage and this change can make R,G,B max Voltage meet the SPEC value.	2004/10/27	HP	Open	Fixed in 10/27
33	Switch board	63	Change R4001, R4002 from 270_5% to 1.8K--change LED brightness.	2004/10/27	HP	Open	Fixed in 10/27
34	LEDs	60	Change R483, R471 from 270_5% to 100_5%, change R478, R752 to 150_5%, change R474 to 220_5% -change LED brightness.	2004/10/27	HP	Open	Fixed in 10/27---update in 11/04
35	NIC-DF only	54	Re-install Q39, Q36, L39, U27, U29, U28, R340, R341, remove L52, R751 For BCM4401 have worse power consumption.----- We drop this change because OTS144058 had been closed by waiver approved.	2004/10/27	IEC	Open	Fixed in 10/27---update in 11/04
36	Alviso	21	Zone D1, Change R177, R194 to open.---Intel has also stated that the fix for this problem with the Alviso pulling too much current is to remove the OCDCOMP[1:0] resistors on Alviso	2004/10/28	HP	Open	Fixed in 10/28
37	ICH6	33	Zone E3, Add 100k pulldown(R787) from PM_DPRSLPVR to GND.	2004/10/28	HP	Open	Fixed in 10/28

www.s-manuals.com