

# TOKYO-2 PLANAR W/TOKYO-3 RAW CARD


	DATE	EC NO.	PART NO.
	05/13/03	J18095	93P3976
	05/27/03	J18095A	
			DEVELOPMENT NO. Q/M
			1 /83

VER 5.01 MAY/27/2003

- |  |  |
|--|--|
| <ol style="list-style-type: none"> <li>1. TITLE PAGE</li> <li>2. EC HISTORY</li> <li>3. CONFIG MATRIX</li> <li>4. CPU: BANIAS (1/3)</li> <li>5. CPU: BANIAS (2/3)</li> <li>6. CPU: BANIAS (3/3)</li> <li>7. CPU: ITP</li> <li>8. CPU: DECAP (VCCCPU CORE)</li> <li>9. NORTH: ODEM (1/4)</li> <li>10. NORTH: ODEM (2/4)</li> <li>11. NORTH: ODEM (3/4)</li> <li>12. NORTH: ODEM (4/4)</li> <li>13. MEMORY: DUAL DDR DIMM</li> <li>14. MEMORY: TERMINATION</li> <li>15. MEMORY: DECOUPLING</li> <li>16. MEMORY: RESERVE</li> <li>17. CLOCK GENERATOR: CK-408</li> <li>18. GFX: RAGE M9 (1/6)</li> <li>19. GFX: RAGE M9 (2/6)</li> <li>20. GFX: RAGE M9 (3/6)</li> <li>21. GFX: RAGE M9 (4/6)</li> <li>22. GFX: RAGE M9 (5/6)</li> <li>23. GFX: RAGE M9 (6/6)</li> <li>24. GFX: CLK MODULATOR</li> <li>25. GFX: EXT CRT CONNECTOR</li> <li>26. GFX: LCD CONNECTOR</li> <li>27. GFX: RESERVE</li> <li>28. SOUTH: ICH4 (1/3)</li> <li>29. SOUTH: ICH4 (2/3)</li> <li>30. SOUTH: ICH4 (3/3)</li> <li>31. CARDBUS: R5C554 (1/2)</li> <li>32. CARDBUS: R5C554 (2/2)</li> <li>33. CARDBUS: POWER CONTROL</li> <li>34. CARDBUS: PCMCIA SLOT</li> <li>35. CARDBUS: COMPACT FLASH</li> <li>36. ETHERNET: GIGABIT (1/2)</li> <li>37. ETHERNET: GIGABIT (2/2)</li> <li>38. ETHERNET: MAGNETICS</li> <li>39. ETHERNET: RJ11/45 CONN</li> <li>40. MINIPCI CONNECTOR</li> </ol> | <ol style="list-style-type: none"> <li>41. CDC CONNECTOR (BMDC)</li> <li>42. PCI BUS SWITCH (1/2)</li> <li>43. PCI BUS SWITCH (2/2)</li> <li>44. DOCKING CONNECTOR</li> <li>45. AUDIO: AD1981A</li> <li>46. AUDIO: INT MIC</li> <li>47. AUDIO: HP/LINE-IN CONN</li> <li>48. AUDIO: EXT MIC</li> <li>49. AUDIO MISC (1/2)</li> <li>50. AUDIO MISC (2/2)</li> <li>51. AUDIO: BA7787</li> <li>52. LPC: FWH&amp;RTC BATTERY</li> <li>53. LPC: H8S/2169A</li> <li>54. LPC: MISC GA (PMH-4)</li> <li>55. LPC: PC87392</li> <li>56. HDD CONNECTOR</li> <li>57. USB CONNECTOR</li> <li>58. USB POWER</li> <li>59. KEYBOARD</li> <li>60. SERIAL DRIVER</li> <li>61. PARALLEL CONNECTOR</li> <li>62. SUBCARD CONNECTOR</li> <li>63. FAN CONNECTOR AND LED / GND PTH</li> <li>64. INTENTIONAL BLANK</li> <li>65. POWER ON LOGIC</li> <li>66. SLICE SUPPORT</li> <li>67. THERMAL SENSOR</li> <li>68. I2CBUS/SMBUS</li> <li>69. DCDC: DC-IN AND CHARGER</li> <li>70. DCDC: CHARGER SELECT</li> <li>71. DCDC: BATTERY INPUT</li> <li>72. DCDC: BATTERY MONITOR</li> <li>73. DCDC: POWER SEQUENCE</li> <li>74. DCDC: VCC3M/5M</li> <li>75. DCDC: VCCCPU CORE</li> <li>76. DCDC: VCC1R2M &amp; VCCCPU IO</li> <li>77. DCDC: VCC2R5A &amp; VCC1R25B</li> <li>78. DCDC: VCC1R8M &amp; VCCVIDEO CORE</li> <li>79. DCDC: VCC1R5M/A/B/AUX</li> <li>80. DCDC: TSURUMAI</li> <li>81. DCDC: VCC FOR GIGABIT ETHER</li> <li>82. DCDC: LOAD SW</li> <li>83. DCDC: MAX POWER CONTROL</li> </ol> |
|--|--|

DRAWING:

93P3976

DESIGNER	Y.Y	05/27/03	PART NO.	93P3976	
CHECKED	Y.I	05/27/03			
APPROVED	K.T	05/27/03	TITLE TK2 W/TK3RC(5.01)		
CLASS			TITLE PAGE		
<small>THIS DOCUMENT IS THE PROPERTY OF IBM ITS USE IS AUTHORIZED ONLY FOR RESPONDING TO A REQUEST FOR QUOTATION OR FOR THE PERFORMANCE OF WORK FOR IBM. ALL QUESTIONS MUST BE REFERRED TO THE IBM PURCHASING DEPARTMENT.</small>					IBM CONFIDENTIAL

	DATE	EC NO.	PART NO.
	05/13/03	J18095	93P3976
	05/27/03	J18095A	
			DEVELOPMENT NO.
			Q/M
			2 /83

# HISTORY

## DV

0.01 FEB/21/2002 INITIAL  
0.02 FEB/27/2002 APPLY EC-017-023  
0.07 MAR/19/2002 APPLY EC-041-049  
0.08 MAR/25/2002 APPLY EC-050-059  
0.09 MAR/29/2002 APPLY EC-60-069  
0.10 APR/01/2002 APPLY EC-70-079  
0.11 APR/01/2002 APPLY EC-80-083  
0.12 APR/03/2002 APPLY EC-84-091  
0.13 APR/09/2002 APPLY EC-92-096  
0.14 APR/12/2002 APPLY EC-97-103  
0.15 APR/19/2002 APPLY EC-104-113  
0.16 APR/25/2002 APPLY EC-114-121  
0.17 MAY/08/2002 APPLY EC-122-133  
0.18 MAY/10/2002 APPLY EC-134-138  
0.19 MAY/14/2002 APPLY EC-139-146  
0.20 MAY/15/2002 APPLY EC-147-149  
0.21 MAY/17/2002 APPLY EC-150  
0.22 MAY/20/2002 ADD PTH HOLE FOR GND PAD  
MAY/27/2002 APPLY EC-151-153

## SIV

1.00 JUN/24/2002 APPLY EC154,155,EC201-212  
1.01 JUN/27/2002 APPLY EC215-217  
1.02 JUN/27/2002 APPLY EC218  
1.03 JUL/09/2002 APPLY EC220-232  
1.04 JUL/15/2002 APPLY EC233-246  
1.05 JUL/16/2002 APPLY EC247-250  
1.06 JUL/17/2002 APPLY EC251-256  
1.07 JUL/18/2002 APPLY EC257-261  
1.08 JUL/19/2002 APPLY EC262-266  
1.09 JUL/24/2002 APPLY EC267-271  
1.10 JUL/30/2002 APPLY EC272-275  
1.11 AUG/02/2002 APPLY EC276-278  
1.12 AUG/06/2002 APPLY EC279-280  
1.13 AUG/14/2002 APPLY EC281

## SIT

2.00 SEP/10/2002 APPLY EC279,SIV REWORK001,002,EC300-EC321  
2.01 SEP/12/2002 APPLY EC322-EC330  
2.02 SEP/13/2002 APPLY EC331-EC334  
2.03 SEP/17/2002 APPLY EC335-EC345  
2.04 SEP/19/2002 APPLY EC346-EC354  
2.05 SEP/20/2002 APPLY EC355-EC357  
2.06 SEP/24/2002 APPLY EC359  
2.07 SEP/26/2002 APPLY EC360,362,364-366  
2.08 SEP/30/2002 APPLY EC367-369  
2.09 OCT/02/2002 APPLY EC370-376  
2.10 OCT/07/2002 APPLY EC377-379  
2.11 OCT/08/2002 APPLY EC380  
2.12 OCT/09/2002 APPLY EC385-387  
  
SIT-3  
2.13 OCT/23/2002 APPLY EC390-391,CHANGE CAP HEIGHT(29L0929->26P1806)  
2.14 OCT/28/2002 APPLY EC393-395

## SIT-4

3.00 OCT/28/2002 APPLY REWORK EC-SIT001-EC400-413  
3.01 OCT/29/2002 APPLY EC-414,416  
3.02 OCT/29/2002 APPLY EC-418  
3.03 NOV/13/2002 APPLY EC-421-425


## SVT

4.00 DEC/17/2002 APPLY EC-500,502,504  
4.01 DEC/24/2002 APPLY EC-506  
4.02 JAN/07/2003 APPLY TK2-AEC-002

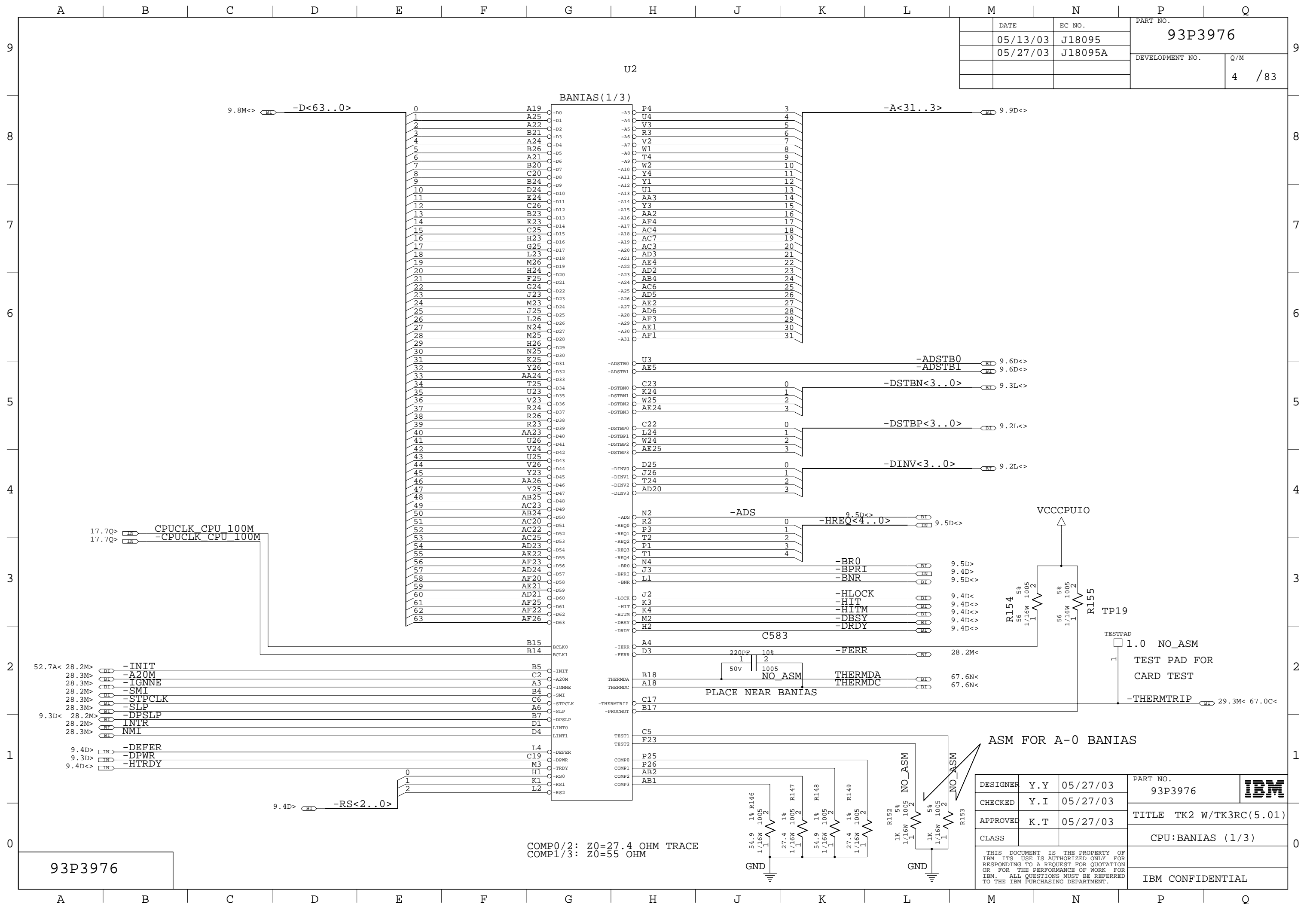
## MASS PRODUCTION

5.00 MAY/13/2003 APPLY AEC J17943A TO ADD DIODE FOR CDE SOLUTION  
5.01 MAY/27/2003 APPLY AEC J18183 R785 CHANGE TO ZERO-OHM FROM 1K

93P3976

DESIGNER	Y.Y	05/27/03	PART NO.	93P3976	
CHECKED	Y.I	05/27/03			
APPROVED	K.T	05/27/03	TITLE	TK2 W/TK3RC(5.01)	
CLASS			EC HISTORY		
THIS DOCUMENT IS THE PROPERTY OF IBM ITS USE IS AUTHORIZED ONLY FOR RESPONDING TO A REQUEST FOR QUOTATION OR FOR THE PERFORMANCE OF WORK FOR IBM. ALL QUESTIONS MUST BE REFERRED TO THE IBM PURCHASING DEPARTMENT.					IBM CONFIDENTIAL





DATE	EC NO.	PART NO.	
05/13/03	J18095	93P3976	
05/27/03	J18095A	DEVELOPMENT NO.	Q/M
		4	/83

U2

BANIAS(1/3)

COMP0/2: Z0=27.4 OHM TRACE  
 COMP1/3: Z0=55 OHM

DESIGNER	Y.Y	05/27/03	PART NO.	93P3976	<b>IBM</b>
CHECKED	Y.I	05/27/03	TITLE TK2 W/TK3RC(5.01)		
APPROVED	K.T	05/27/03	CPU: BANIAS (1/3)		
THIS DOCUMENT IS THE PROPERTY OF IBM ITS USE IS AUTHORIZED ONLY FOR RESPONDING TO A REQUEST FOR QUOTATION OR FOR THE PERFORMANCE OF WORK FOR IBM. ALL QUESTIONS MUST BE REFERRED TO THE IBM PURCHASING DEPARTMENT.					IBM CONFIDENTIAL

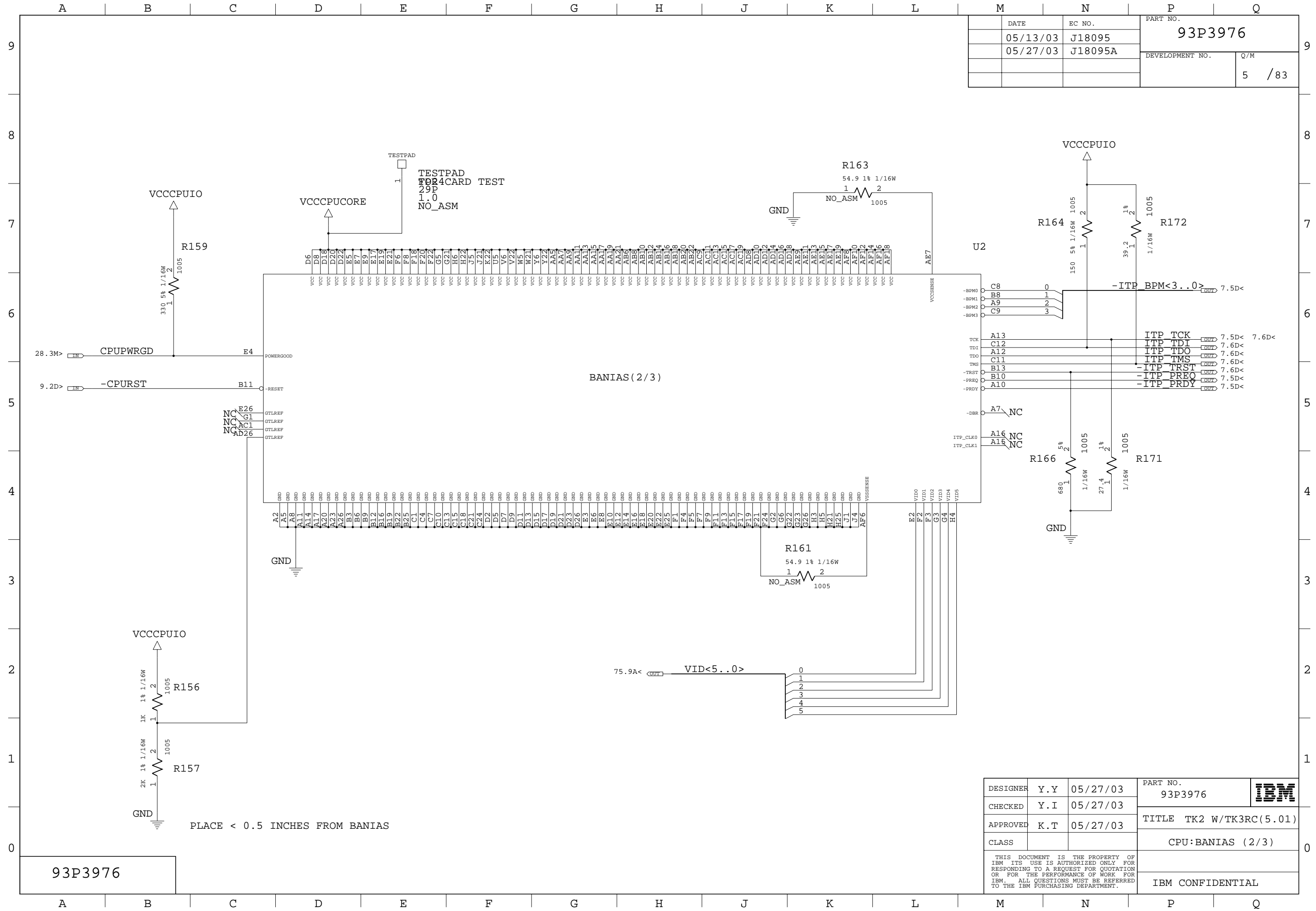
93P3976

ASM FOR A-0 BANIAS

PLACE NEAR BANIAS

TESTPAD  
 1.0 NO\_ASM  
 TEST PAD FOR  
 CARD TEST

DATE	EC NO.	PART NO.	
05/13/03	J18095	93P3976	
05/27/03	J18095A	DEVELOPMENT NO.	Q/M
			5 /83

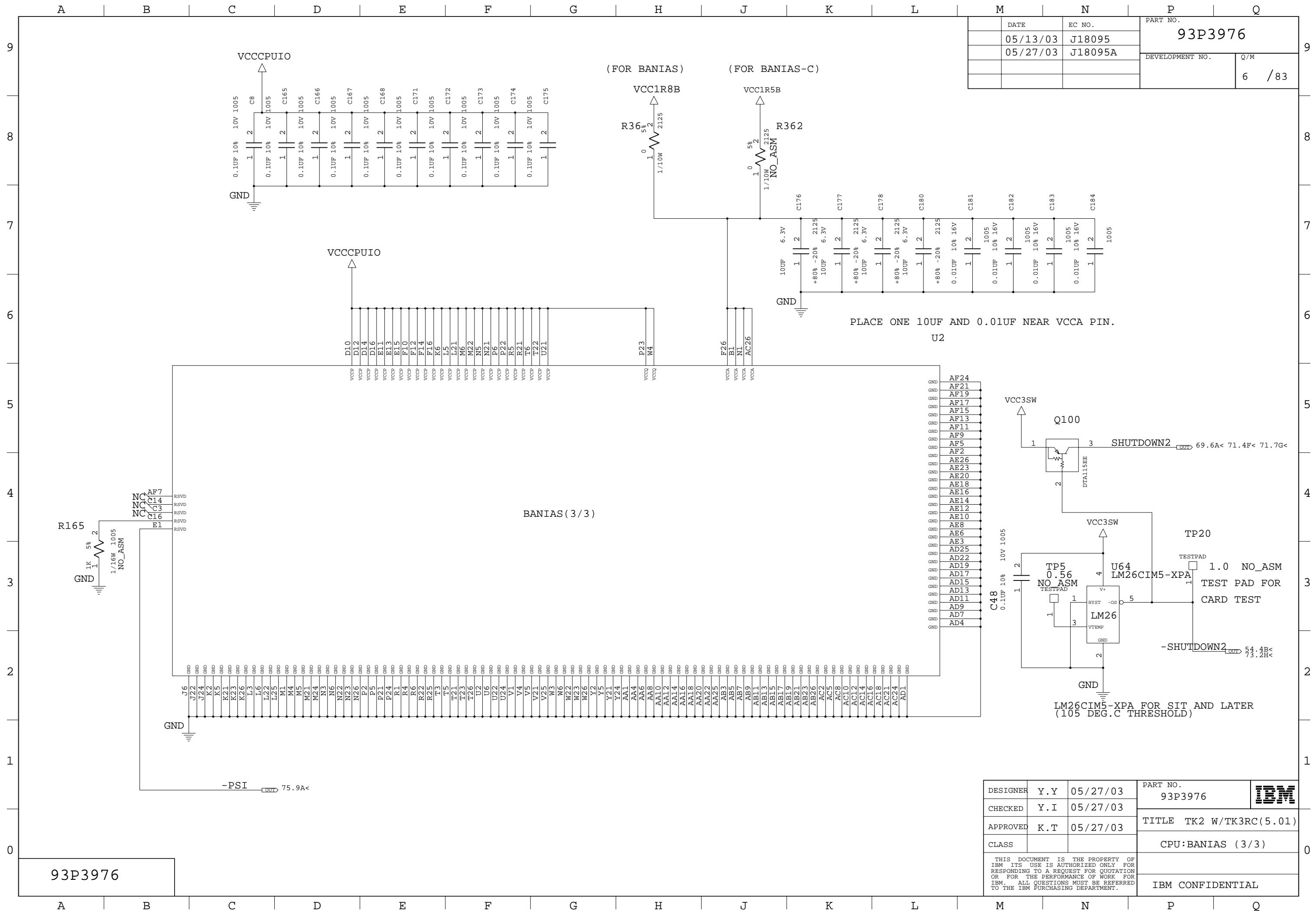


PLACE < 0.5 INCHES FROM BANIAS

93P3976

DESIGNER	Y.Y	05/27/03	PART NO.	93P3976	<b>IBM</b>
CHECKED	Y.I	05/27/03	TITLE TK2 W/TK3RC(5.01)		
APPROVED	K.T	05/27/03	CPU:BANIAS (2/3)		
CLASS			IBM CONFIDENTIAL		

THIS DOCUMENT IS THE PROPERTY OF IBM ITS USE IS AUTHORIZED ONLY FOR RESPONDING TO A REQUEST FOR QUOTATION OR FOR THE PERFORMANCE OF WORK FOR IBM. ALL QUESTIONS MUST BE REFERRED TO THE IBM PURCHASING DEPARTMENT.



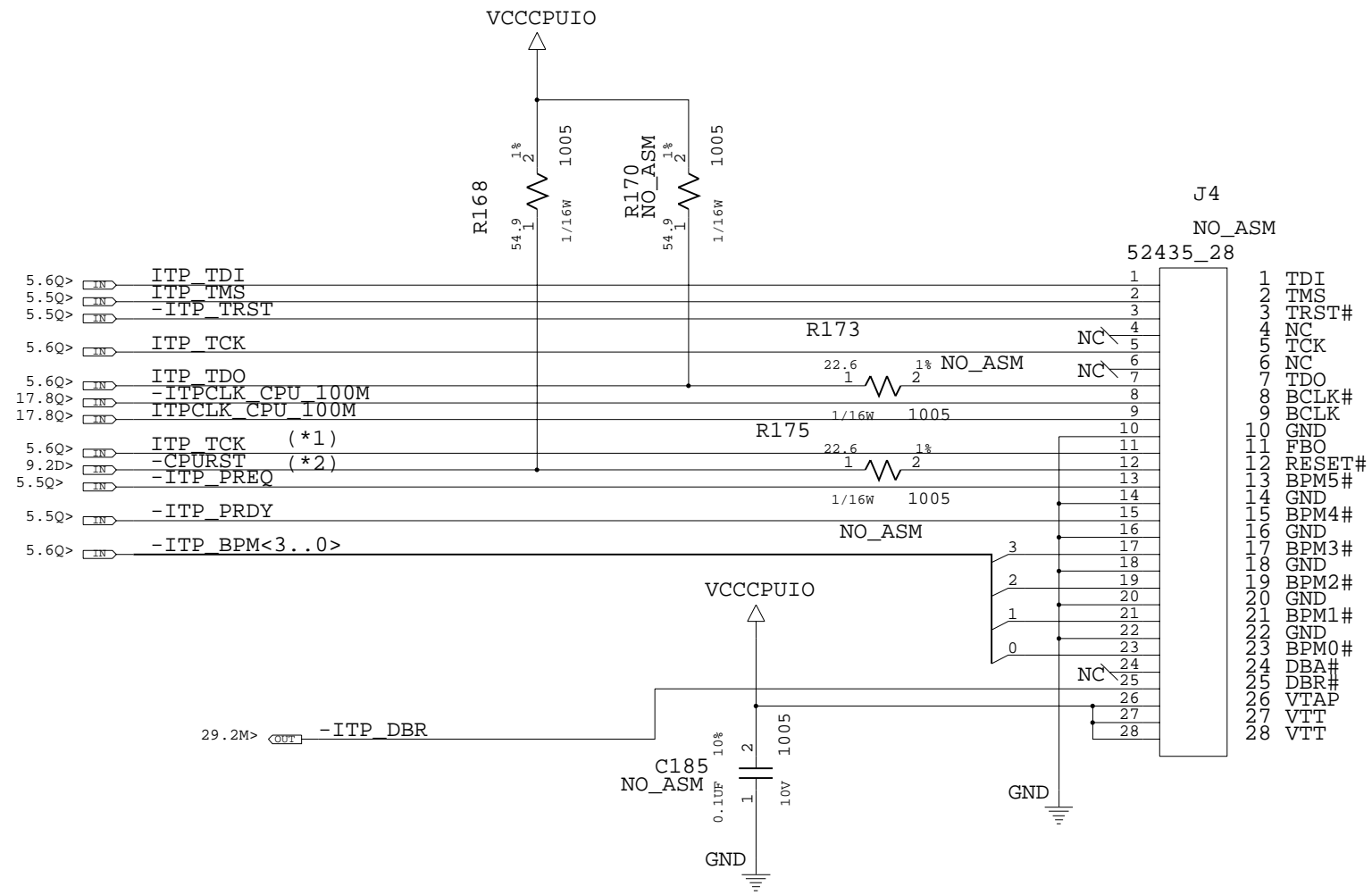
DATE	EC NO.	PART NO.	
05/13/03	J18095	93P3976	
05/27/03	J18095A	DEVELOPMENT NO.	Q/M
			6 / 83

DESIGNER	Y.Y	05/27/03	PART NO.	93P3976	
CHECKED	Y.I	05/27/03	TITLE		
APPROVED	K.T	05/27/03	CPU: BANIAS (3/3)		
CLASS				IBM CONFIDENTIAL	

THIS DOCUMENT IS THE PROPERTY OF IBM ITS USE IS AUTHORIZED ONLY FOR RESPONDING TO A REQUEST FOR QUOTATION OR FOR THE PERFORMANCE OF WORK FOR IBM. ALL QUESTIONS MUST BE REFERRED TO THE IBM PURCHASING DEPARTMENT.

93P3976

DATE		EC NO.		PART NO.	
05/13/03		J18095		93P3976	
05/27/03		J18095A		DEVELOPMENT NO.	
				Q/M	
				7 / 83	



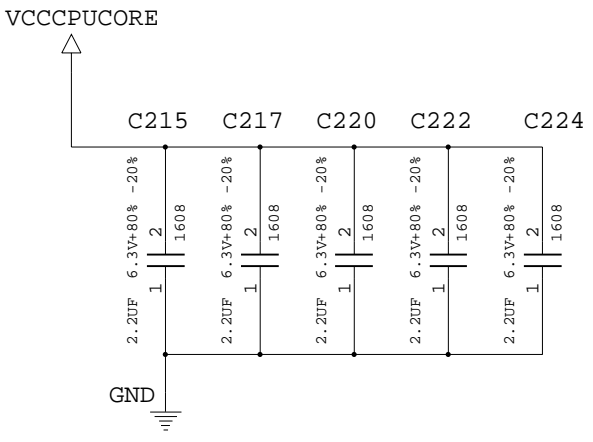
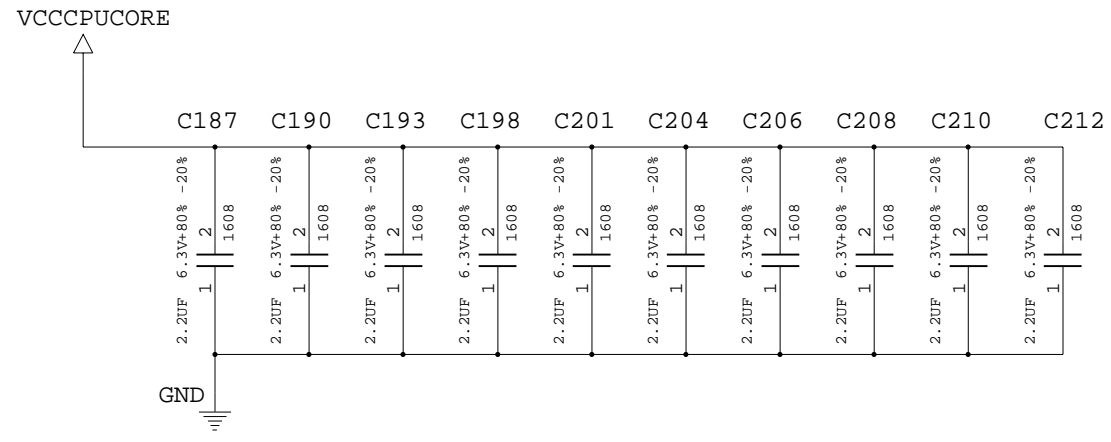
(\*1) TCK SIGNAL IS BRANCHED AT BANIAS PIN  
(\*2) -CPURST SIGNAL IS BRANCHED AT ODEM PIN

93P3976

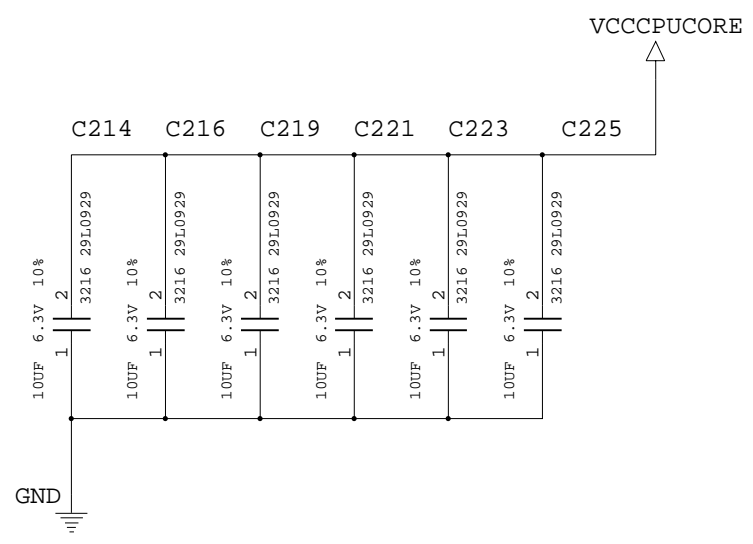
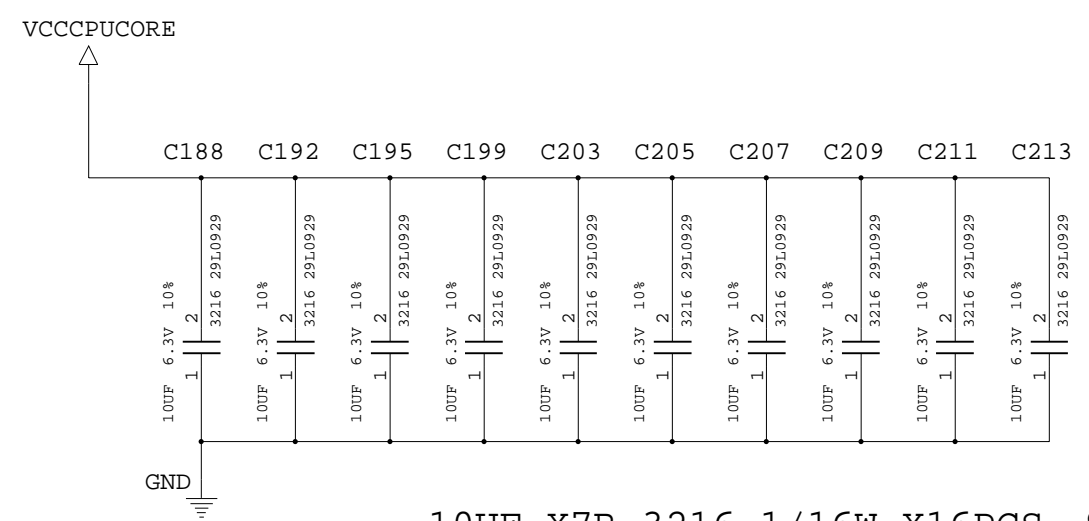
DESIGNER	Y.Y	05/27/03	PART NO. 93P3976	<b>IBM</b>
CHECKED	Y.I	05/27/03	TITLE TK2 W/TK3RC(5.01)	
APPROVED	K.T	05/27/03	CPU:ITP	
CLASS			THIS DOCUMENT IS THE PROPERTY OF IBM ITS USE IS AUTHORIZED ONLY FOR RESPONDING TO A REQUEST FOR QUOTATION OR FOR THE PERFORMANCE OF WORK FOR IBM. ALL QUESTIONS MUST BE REFERRED TO THE IBM PURCHASING DEPARTMENT.	
				IBM CONFIDENTIAL

	DATE	EC NO.	PART NO.	
	05/13/03	J18095	93P3976	
	05/27/03	J18095A	DEVELOPMENT NO.	Q/M
			8	/83

TO CONFIRM ACTUAL CAP



2.2UF X7R 1608 1/16W X15PCS  
(X5R IS USED AT TOKYO-2)

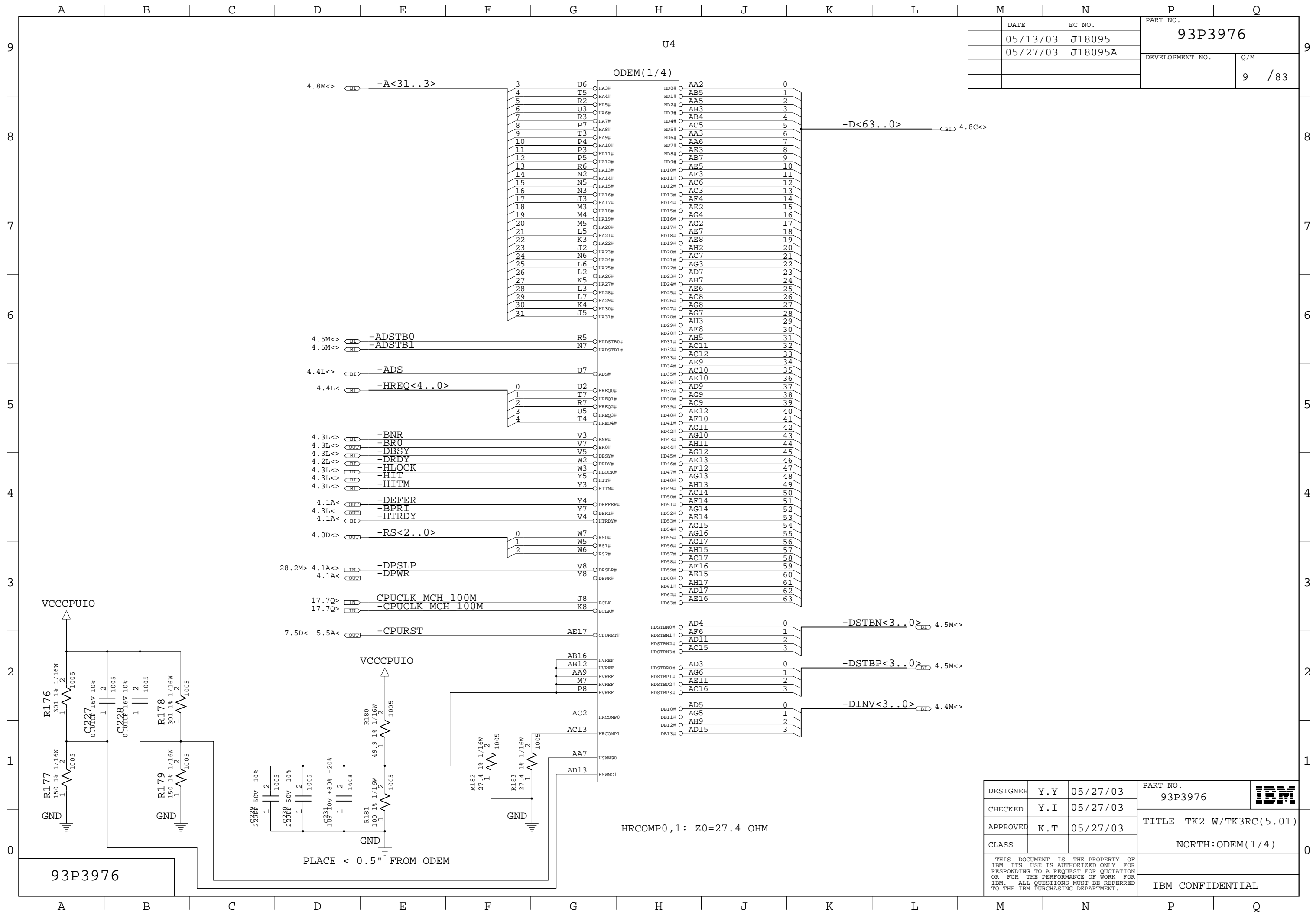


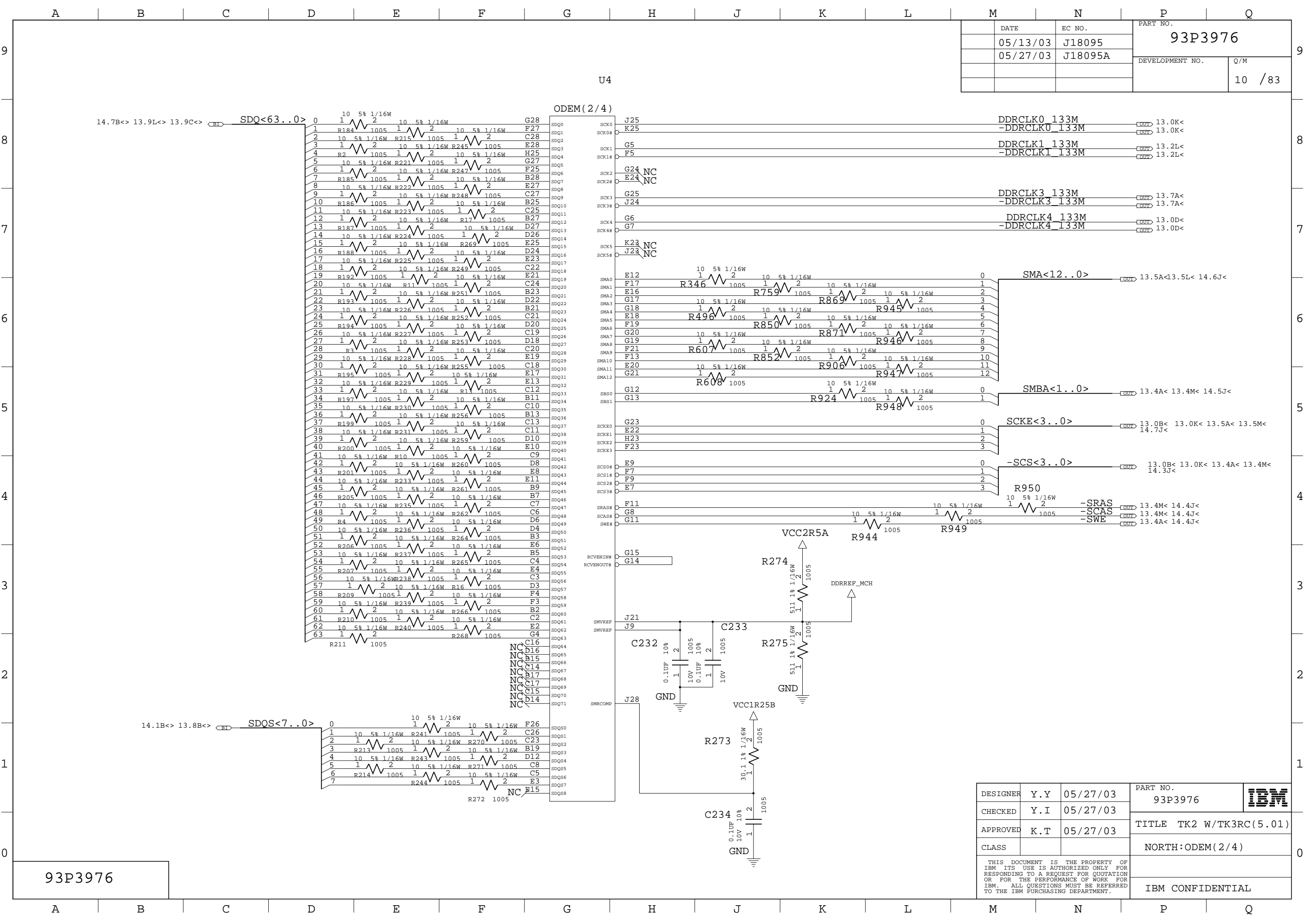
10UF X7R 3216 1/16W X16PCS  
(X5R IS USED AT TOKYO-2)

93P3976

DESIGNER	Y.Y	05/27/03	PART NO.	93P3976	
CHECKED	Y.I	05/27/03	TITLE		
APPROVED	K.T	05/27/03	CLASS	CPU:DECAP(VCCCPUCORE)	
THIS DOCUMENT IS THE PROPERTY OF IBM ITS USE IS AUTHORIZED ONLY FOR RESPONDING TO A REQUEST FOR QUOTATION OR FOR THE PERFORMANCE OF WORK FOR IBM. ALL QUESTIONS MUST BE REFERRED TO THE IBM PURCHASING DEPARTMENT.				IBM CONFIDENTIAL	







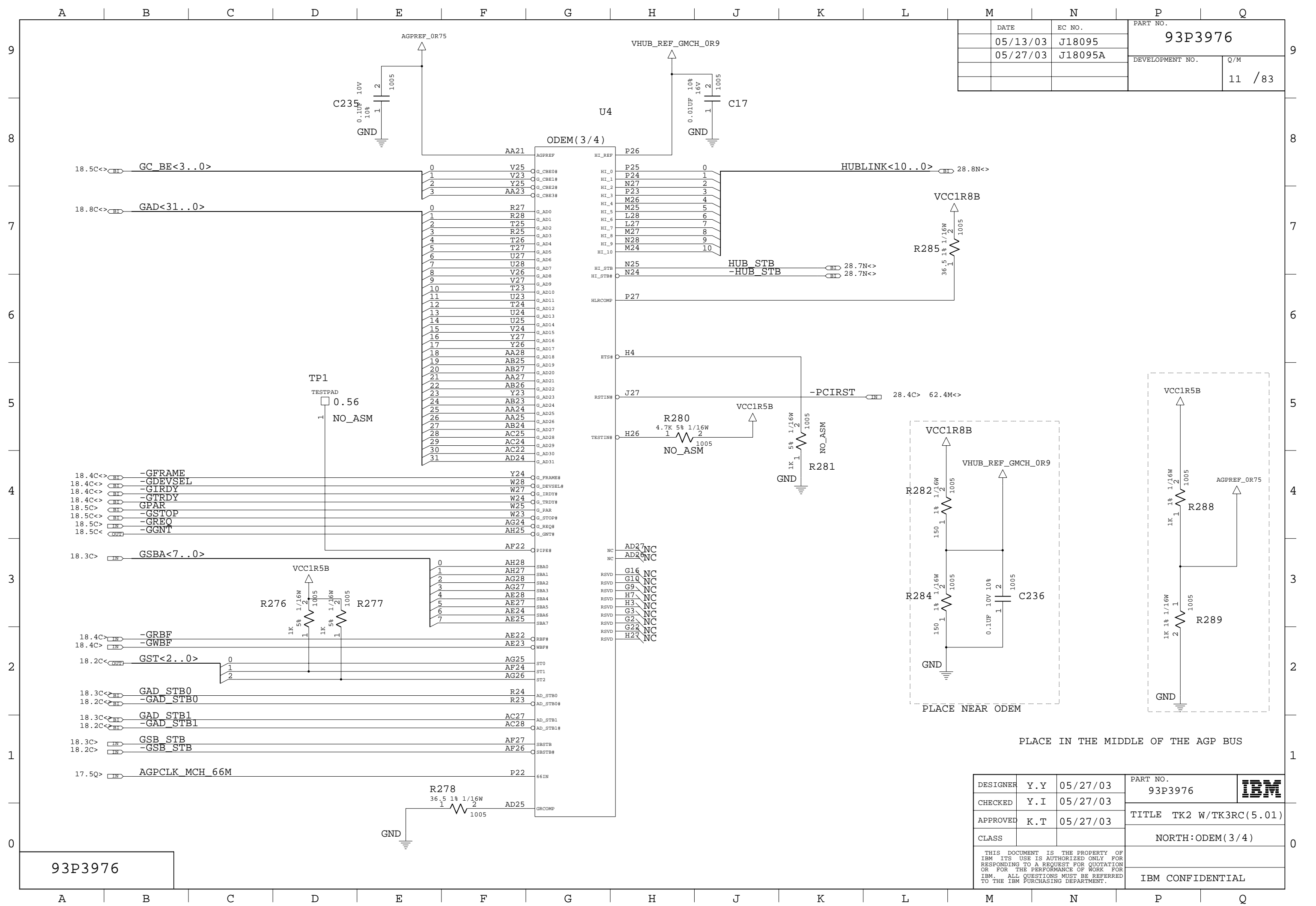
DATE	EC NO.	PART NO.	
05/13/03	J18095	93P3976	
05/27/03	J18095A	DEVELOPMENT NO.	Q/M
			10 /83

U4

ODEM(2/4)

93P3976

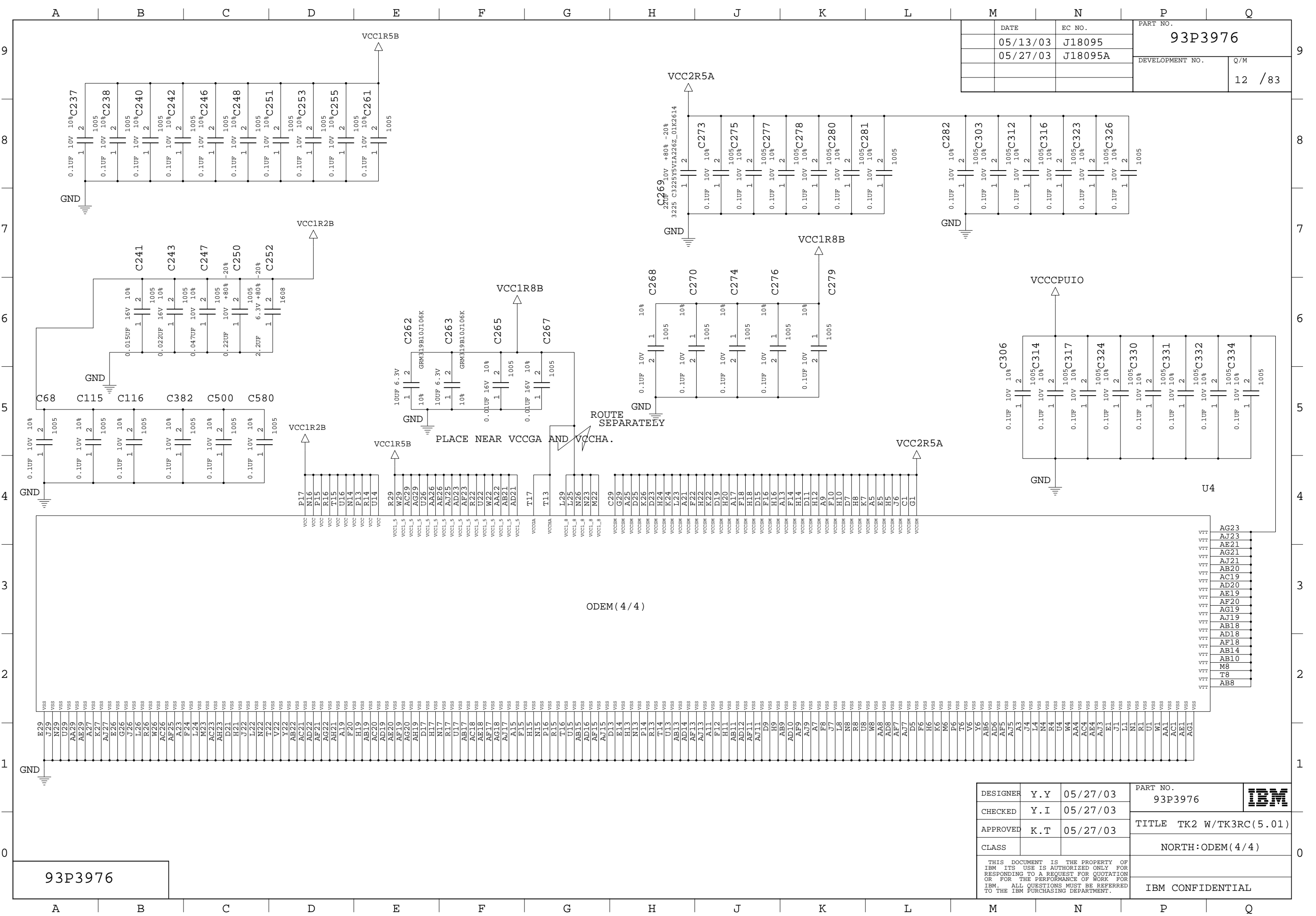
DESIGNER	Y.Y	05/27/03	PART NO.	93P3976	<b>IBM</b>
CHECKED	Y.I	05/27/03	TITLE TK2 W/TK3RC(5.01)		
APPROVED	K.T	05/27/03	NORTH:ODEM(2/4)		
CLASS			THIS DOCUMENT IS THE PROPERTY OF IBM ITS USE IS AUTHORIZED ONLY FOR RESPONDING TO A REQUEST FOR QUOTATION OR FOR THE PERFORMANCE OF WORK FOR IBM. ALL QUESTIONS MUST BE REFERRED TO THE IBM PURCHASING DEPARTMENT.		IBM CONFIDENTIAL



DATE	EC NO.	PART NO.	
05/13/03	J18095	93P3976	
05/27/03	J18095A	DEVELOPMENT NO.	Q/M
			11 / 83

93P3976

DESIGNER	Y.Y	05/27/03	PART NO.	93P3976	<b>IBM</b>
CHECKED	Y.I	05/27/03	TITLE TK2 W/TK3RC(5.01)		
APPROVED	K.T	05/27/03	NORTH:ODEM(3/4)		
CLASS			THIS DOCUMENT IS THE PROPERTY OF IBM ITS USE IS AUTHORIZED ONLY FOR RESPONDING TO A REQUEST FOR QUOTATION OR FOR THE PERFORMANCE OF WORK FOR IBM. ALL QUESTIONS MUST BE REFERRED TO THE IBM PURCHASING DEPARTMENT.		IBM CONFIDENTIAL



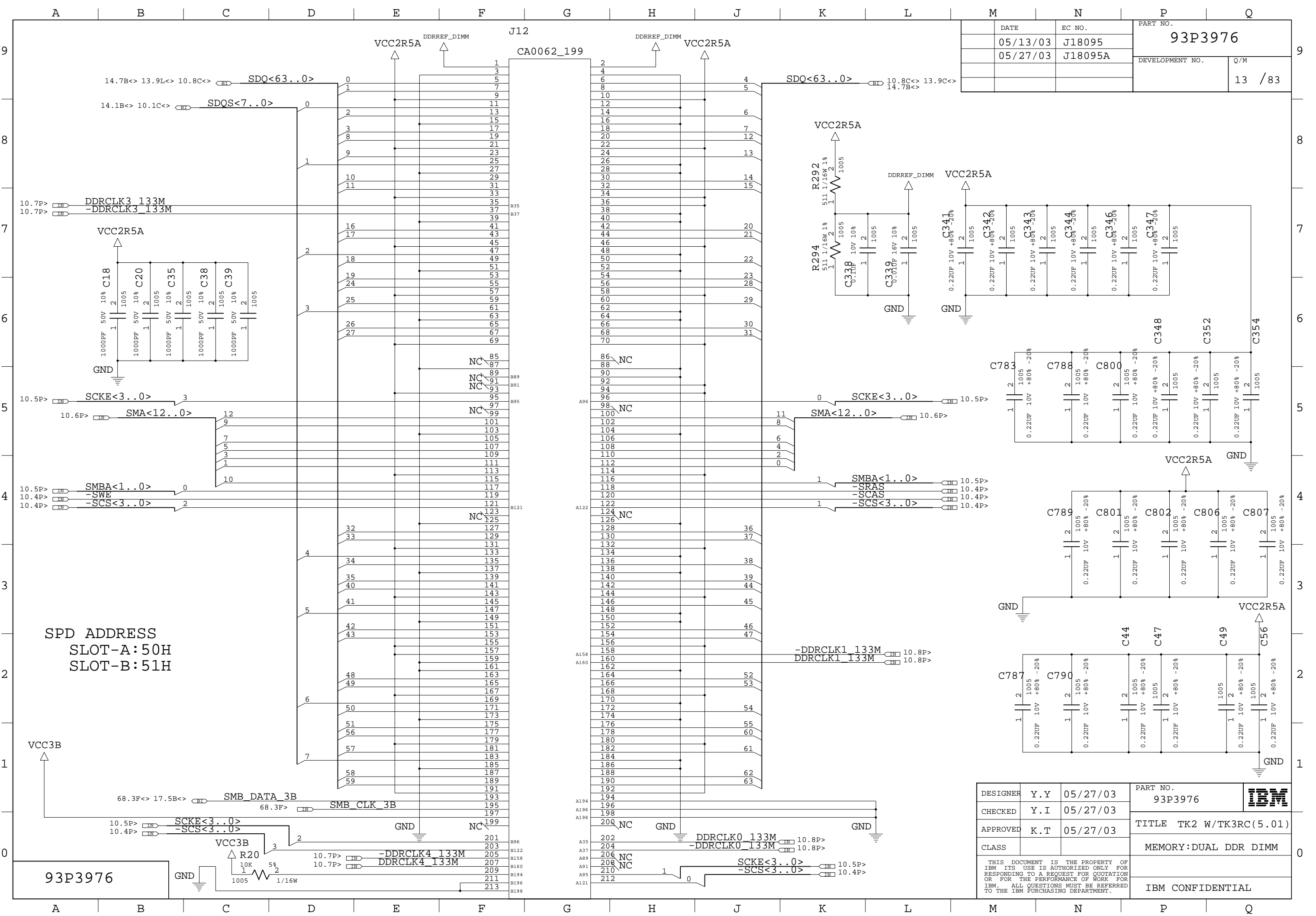
DATE	EC NO.	PART NO.	
05/13/03	J18095	93P3976	
05/27/03	J18095A	DEVELOPMENT NO.	Q/M
			12 / 83

ODEM (4/4)

93P3976

DESIGNER	Y.Y	05/27/03	PART NO.	93P3976	
CHECKED	Y.I	05/27/03	TITLE		
APPROVED	K.T	05/27/03	NORTH:ODEM(4/4)		
CLASS				IBM CONFIDENTIAL	

THIS DOCUMENT IS THE PROPERTY OF IBM ITS USE IS AUTHORIZED ONLY FOR RESPONDING TO A REQUEST FOR QUOTATION OR FOR THE PERFORMANCE OF WORK FOR IBM. ALL QUESTIONS MUST BE REFERRED TO THE IBM PURCHASING DEPARTMENT.



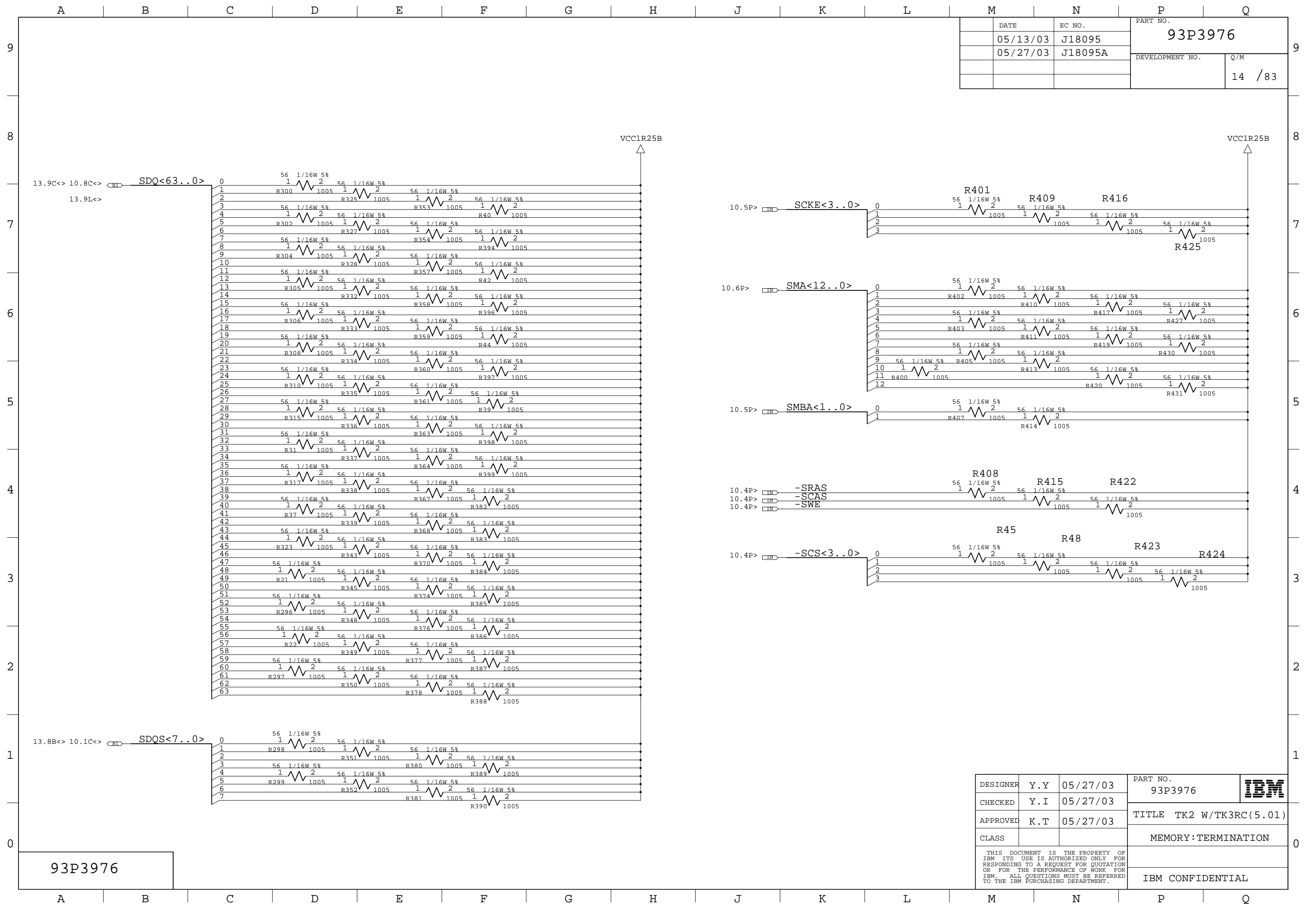
DATE	EC NO.	PART NO.	
05/13/03	J18095	93P3976	
05/27/03	J18095A	DEVELOPMENT NO.	Q/M
			13 / 83

SPD ADDRESS  
 SLOT-A: 50H  
 SLOT-B: 51H

93P3976

DESIGNER	Y.Y	05/27/03	PART NO.	93P3976	
CHECKED	Y.I	05/27/03	TITLE TK2 W/TK3RC(5.01)		
APPROVED	K.T	05/27/03	MEMORY: DUAL DDR DIMM		
CLASS			IBM CONFIDENTIAL		

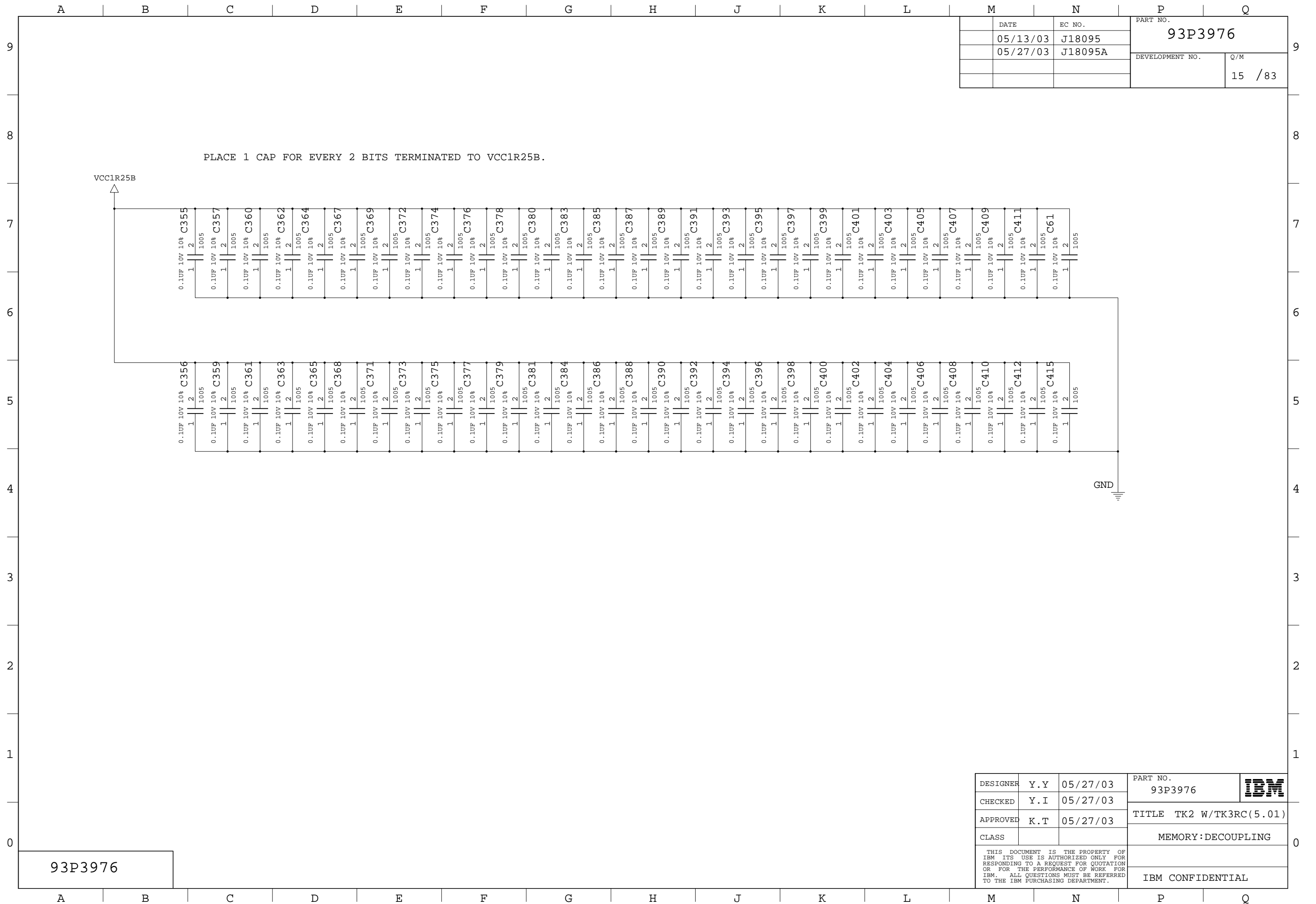
THIS DOCUMENT IS THE PROPERTY OF IBM ITS USE IS AUTHORIZED ONLY FOR RESPONDING TO A REQUEST FOR QUOTATION OR FOR THE PERFORMANCE OF WORK FOR IBM. ALL QUESTIONS MUST BE REFERRED TO THE IBM PURCHASING DEPARTMENT.



DATE	EC NO.	PART NO.	
05/13/03	J18095	93P3976	
05/27/03	J18095A	DEVELOPMENT NO.	Q/M
			14 /83

DESIGNER	Y.Y	05/27/03	PART NO.	93P3976	<b>IBM</b>
CHECKED	Y.I	05/27/03	TITLE		
APPROVED	K.T	05/27/03	MEMORY:TERMINATION		
CLASS			IBM CONFIDENTIAL		
<small>THIS DOCUMENT IS THE PROPERTY OF IBM ITS USE IS AUTHORIZED ONLY FOR RESPONDING TO A REQUEST FOR QUOTATION OR FOR THE PERFORMANCE OF WORK FOR IBM. ALL QUESTIONS MUST BE REFERRED TO THE IBM PURCHASING DEPARTMENT.</small>					

93P3976



DATE	EC NO.	PART NO.	
05/13/03	J18095	93P3976	
05/27/03	J18095A	DEVELOPMENT NO.	Q/M
			15 / 83

DESIGNER	Y. Y	05/27/03	PART NO.	93P3976	<b>IBM</b>
CHECKED	Y. I	05/27/03	TITLE		
APPROVED	K. T	05/27/03	MEMORY: DECOUPLING		
CLASS					
THIS DOCUMENT IS THE PROPERTY OF IBM ITS USE IS AUTHORIZED ONLY FOR RESPONDING TO A REQUEST FOR QUOTATION OR FOR THE PERFORMANCE OF WORK FOR IBM. ALL QUESTIONS MUST BE REFERRED TO THE IBM PURCHASING DEPARTMENT.					IBM CONFIDENTIAL



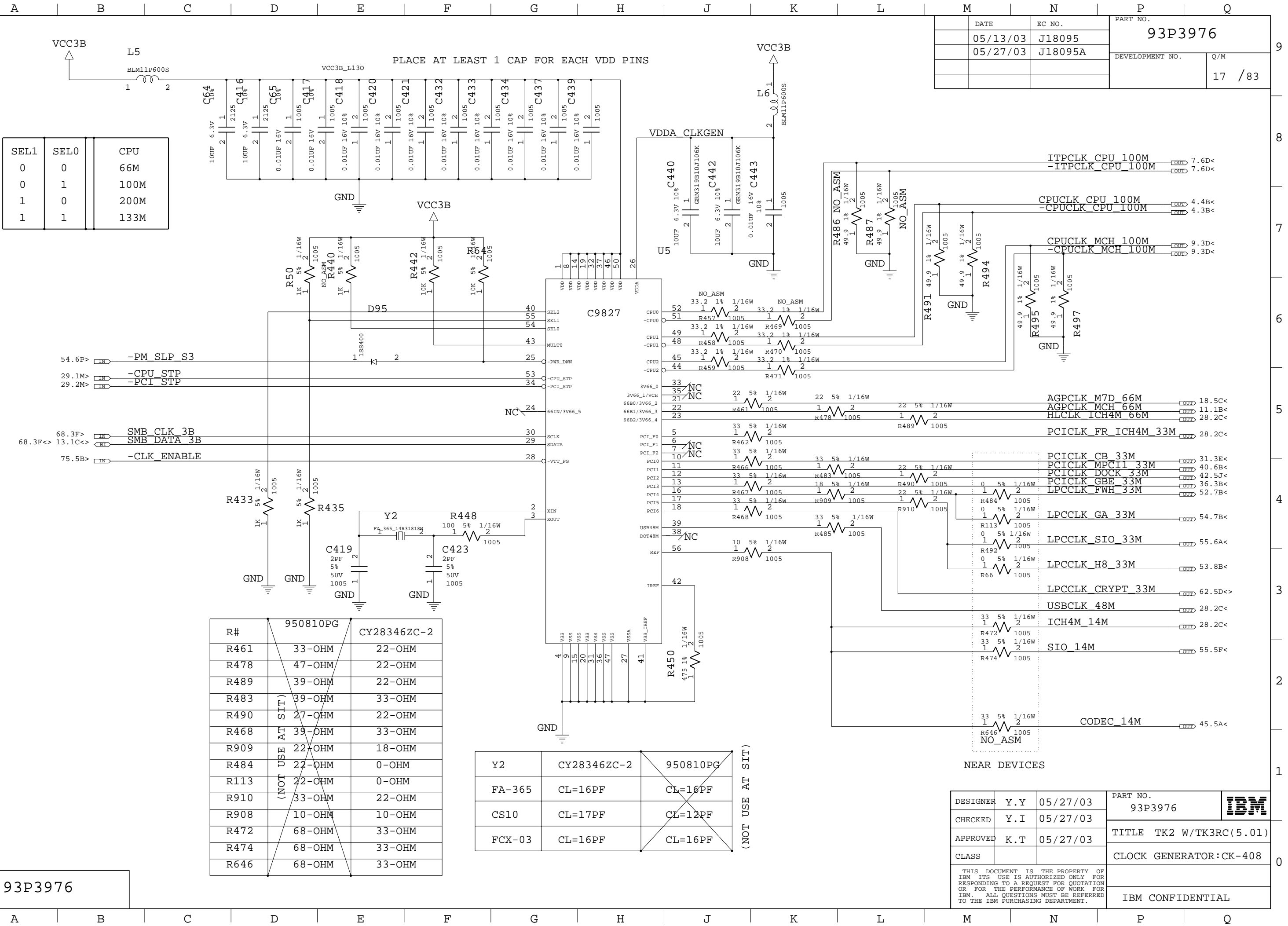


DATE	EC NO.	PART NO.	
05/13/03	J18095	93P3976	
05/27/03	J18095A	DEVELOPMENT NO.	Q/M
			17 / 83

SEL1	SEL0	CPU
0	0	66M
0	1	100M
1	0	200M
1	1	133M

R#	950810PG	CY28346ZC-2
R461	33-OHM	22-OHM
R478	47-OHM	22-OHM
R489	39-OHM	22-OHM
R483	39-OHM	33-OHM
R490	27-OHM	22-OHM
R468	39-OHM	33-OHM
R909	22-OHM	18-OHM
R484	22-OHM	0-OHM
R113	22-OHM	0-OHM
R910	33-OHM	22-OHM
R908	10-OHM	10-OHM
R472	68-OHM	33-OHM
R474	68-OHM	33-OHM
R646	68-OHM	33-OHM

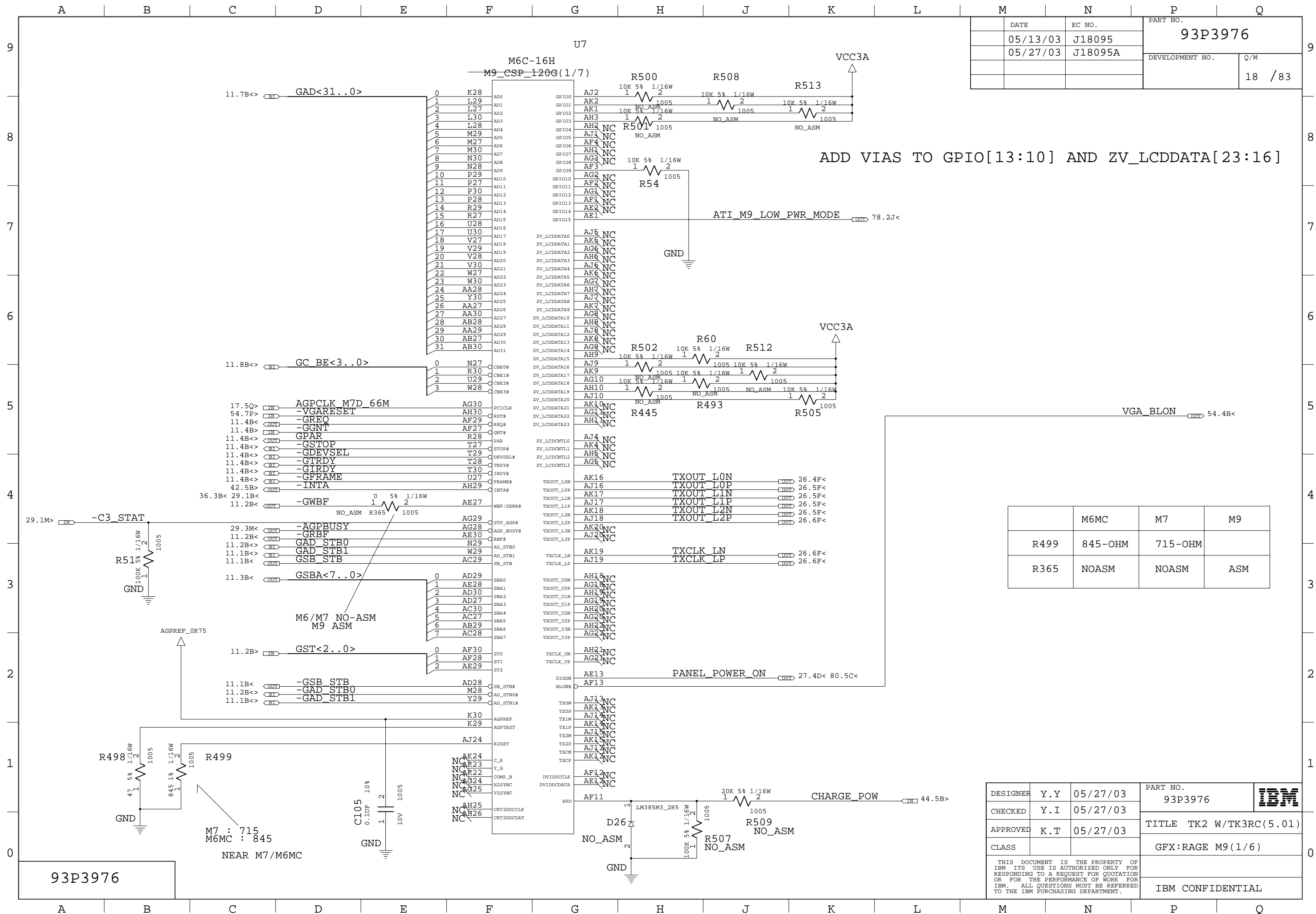
Y2	CY28346ZC-2	950810PG
FA-365	CL=16PF	CL=16PF
CS10	CL=17PF	CL=12PF
FCX-03	CL=16PF	CL=16PF



93P3976

DESIGNER	Y.Y	05/27/03	PART NO.	93P3976	<b>IBM</b>
CHECKED	Y.I	05/27/03	TITLE TK2 W/TK3RC(5.01)		
APPROVED	K.T	05/27/03	CLOCK GENERATOR:CK-408		
CLASS			IBM CONFIDENTIAL		

THIS DOCUMENT IS THE PROPERTY OF IBM ITS USE IS AUTHORIZED ONLY FOR RESPONDING TO A REQUEST FOR QUOTATION OR FOR THE PERFORMANCE OF WORK FOR IBM. ALL QUESTIONS MUST BE REFERRED TO THE IBM PURCHASING DEPARTMENT.



DATE	EC NO.	PART NO.	
05/13/03	J18095	93P3976	
05/27/03	J18095A	DEVELOPMENT NO.	Q/M
			18 /83

	M6MC	M7	M9
R499	845-OHM	715-OHM	
R365	NOASM	NOASM	ASM

DESIGNER	Y.Y	05/27/03	PART NO.	93P3976	
CHECKED	Y.I	05/27/03	TITLE		
APPROVED	K.T	05/27/03	GFX:RAGE M9(1/6)		
CLASS			IBM CONFIDENTIAL		

THIS DOCUMENT IS THE PROPERTY OF IBM ITS USE IS AUTHORIZED ONLY FOR RESPONDING TO A REQUEST FOR QUOTATION OR FOR THE PERFORMANCE OF WORK FOR IBM. ALL QUESTIONS MUST BE REFERRED TO THE IBM PURCHASING DEPARTMENT.

93P3976

M7 : 715  
M6MC : 845  
NEAR M7/M6MC

ADD VIAS TO GPIO[13:10] AND ZV\_LCDDATA[23:16]

PANEL POWER\_ON

VGA\_BLON

VCC3A

VCC3A

U7

M6C-16H  
M9\_CSP\_120G(1/7)

9

8

7

6

5

4

3

2

1

0

9

8

7

6

5

4

3

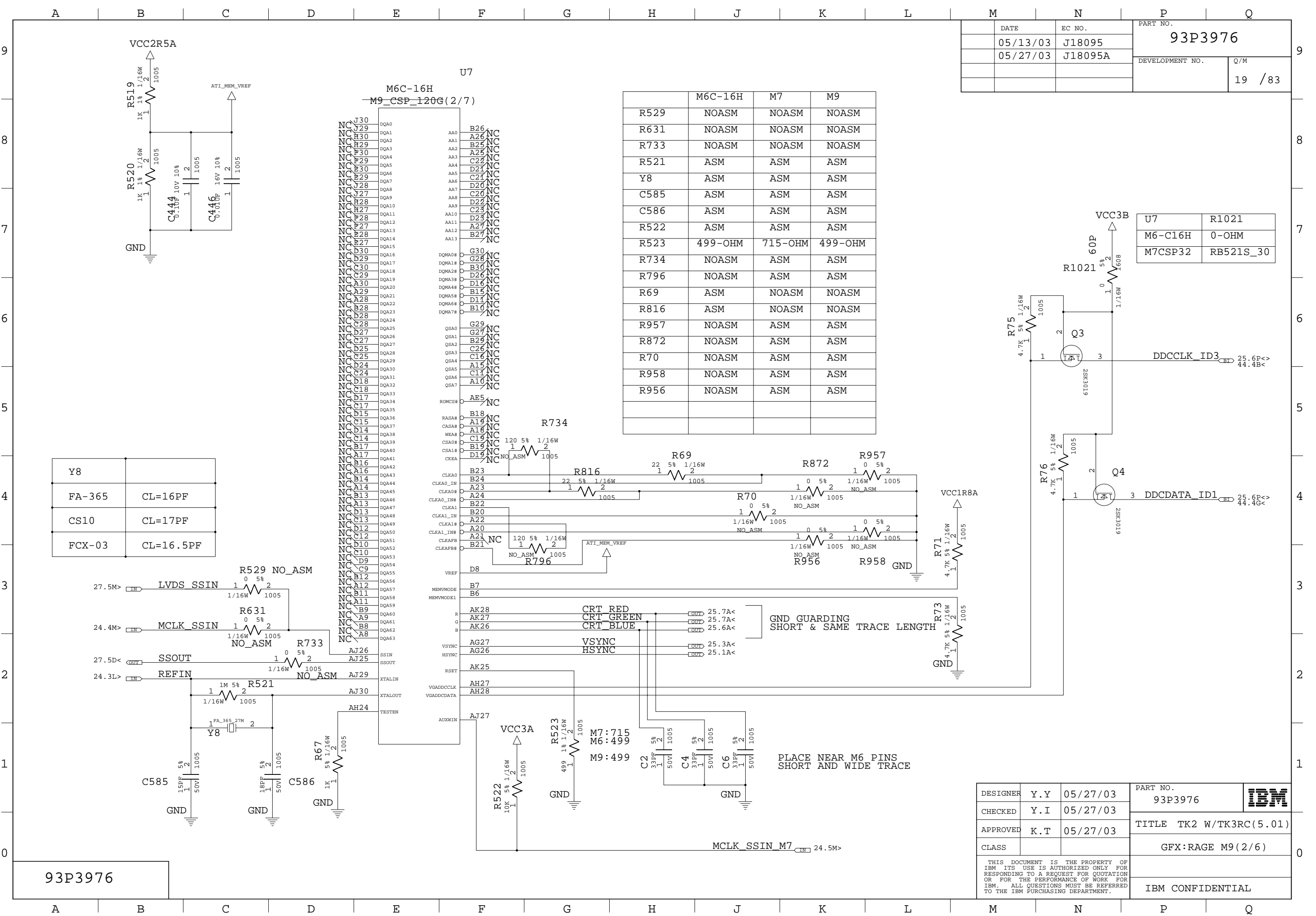
2

1

0

A B C D E F G H J K L M N P Q

A B C D E F G H J K L M N P Q



DATE	EC NO.	PART NO.	
05/13/03	J18095	93P3976	
05/27/03	J18095A	DEVELOPMENT NO.	Q/M
			19 /83

	M6C-16H	M7	M9
R529	NOASM	NOASM	NOASM
R631	NOASM	NOASM	NOASM
R733	NOASM	NOASM	NOASM
R521	ASM	ASM	ASM
Y8	ASM	ASM	ASM
C585	ASM	ASM	ASM
C586	ASM	ASM	ASM
R522	ASM	ASM	ASM
R523	499-OHM	715-OHM	499-OHM
R734	NOASM	ASM	ASM
R796	NOASM	ASM	ASM
R69	ASM	NOASM	NOASM
R816	ASM	NOASM	NOASM
R957	NOASM	ASM	ASM
R872	NOASM	ASM	ASM
R70	NOASM	ASM	ASM
R958	NOASM	ASM	ASM
R956	NOASM	ASM	ASM

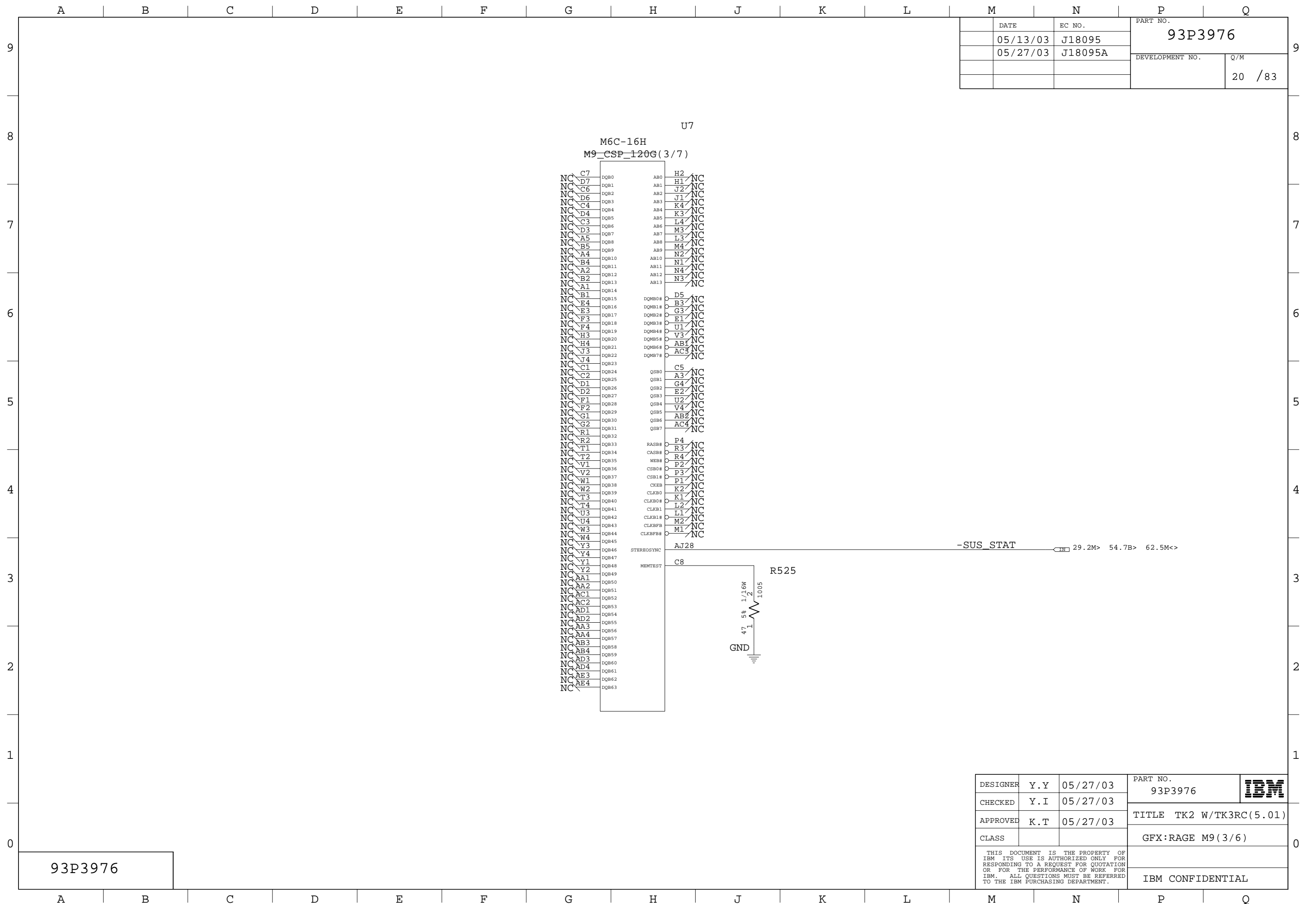
Y8	
FA-365	CL=16PF
CS10	CL=17PF
FCX-03	CL=16.5PF

U7	R1021
M6-C16H	0-OHM
M7CSP32	RB521S_30

DESIGNER	Y.Y	05/27/03	PART NO.	93P3976	
CHECKED	Y.I	05/27/03	TITLE		
APPROVED	K.T	05/27/03	GFX:RAGE M9(2/6)		
CLASS			IBM CONFIDENTIAL		

THIS DOCUMENT IS THE PROPERTY OF IBM ITS USE IS AUTHORIZED ONLY FOR RESPONDING TO A REQUEST FOR QUOTATION OR FOR THE PERFORMANCE OF WORK FOR IBM. ALL QUESTIONS MUST BE REFERRED TO THE IBM PURCHASING DEPARTMENT.

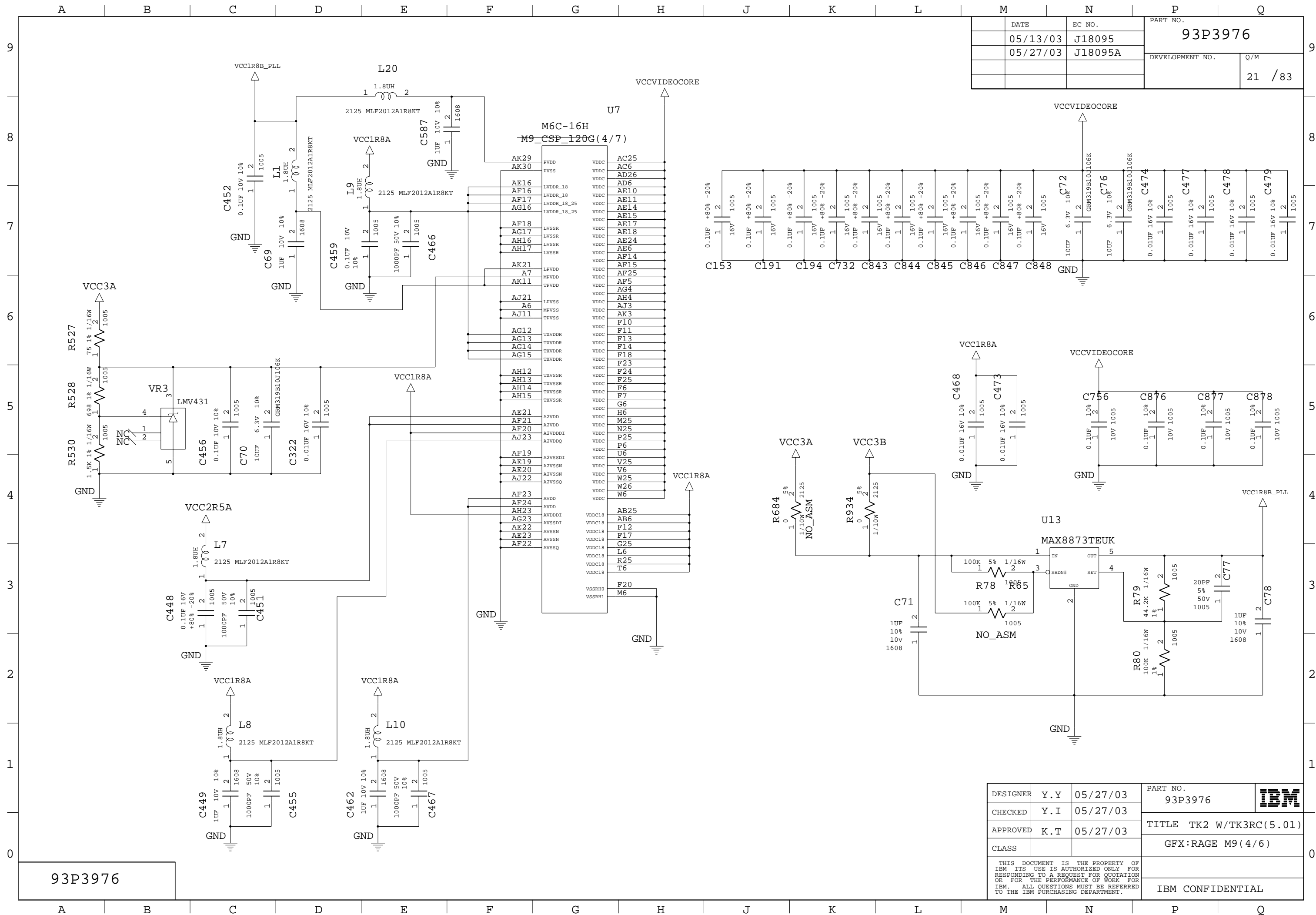
93P3976



	DATE	EC NO.	PART NO.	
	05/13/03	J18095	93P3976	
	05/27/03	J18095A	DEVELOPMENT NO.	Q/M
				20 /83

93P3976

DESIGNER	Y. Y	05/27/03	PART NO.	93P3976	<b>IBM</b>
CHECKED	Y. I	05/27/03	TITLE		
APPROVED	K. T	05/27/03	CLASS	GFX:RAGE M9(3/6)	
THIS DOCUMENT IS THE PROPERTY OF IBM ITS USE IS AUTHORIZED ONLY FOR RESPONDING TO A REQUEST FOR QUOTATION OR FOR THE PERFORMANCE OF WORK FOR IBM. ALL QUESTIONS MUST BE REFERRED TO THE IBM PURCHASING DEPARTMENT.				IBM CONFIDENTIAL	



DATE	EC NO.	PART NO.	
05/13/03	J18095	93P3976	
05/27/03	J18095A	DEVELOPMENT NO.	Q/M
			21 / 83

93P3976

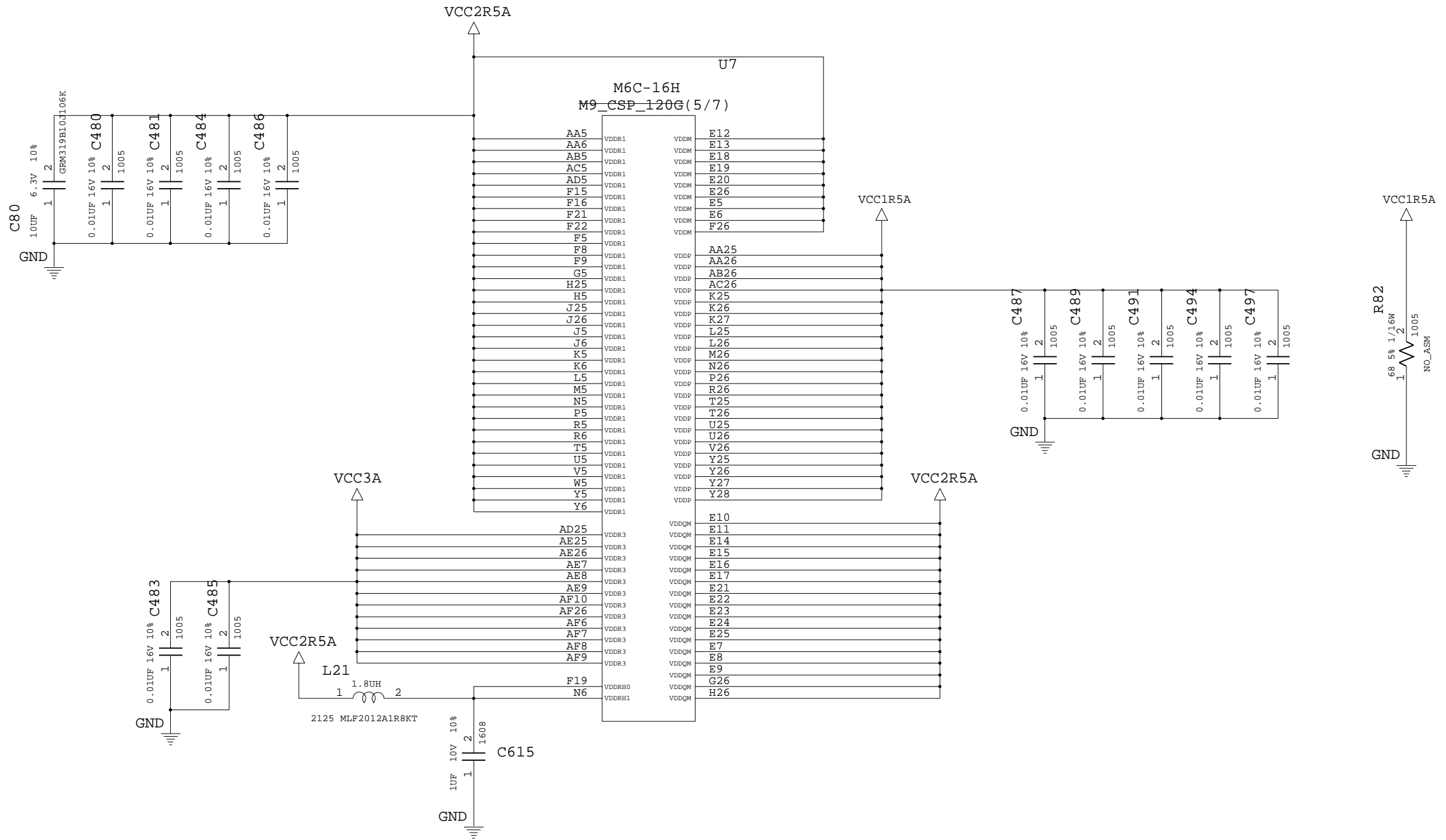
DESIGNER	Y.Y	05/27/03	PART NO.	93P3976	
CHECKED	Y.I	05/27/03	TITLE		
APPROVED	K.T	05/27/03	GFX:RAGE M9(4/6)		
CLASS			IBM CONFIDENTIAL		

THIS DOCUMENT IS THE PROPERTY OF IBM ITS USE IS AUTHORIZED ONLY FOR RESPONDING TO A REQUEST FOR QUOTATION OR FOR THE PERFORMANCE OF WORK FOR IBM. ALL QUESTIONS MUST BE REFERRED TO THE IBM PURCHASING DEPARTMENT.

A B C D E F G H J K L M N P Q

DATE	EC NO.	PART NO.	
05/13/03	J18095	93P3976	
05/27/03	J18095A	DEVELOPMENT NO.	Q/M
			22 / 83

9 8 7 6 5 4 3 2 1

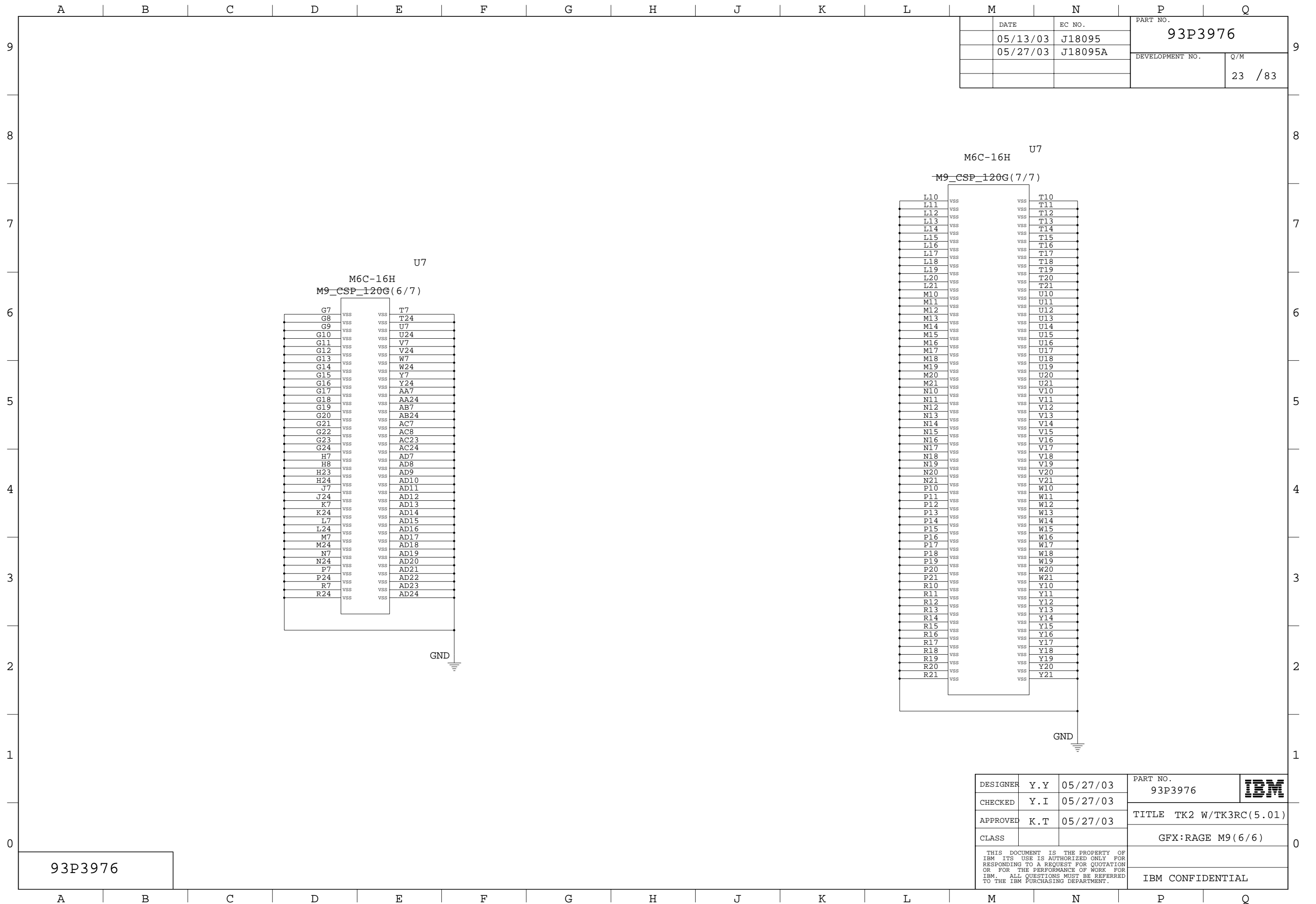


93P3976

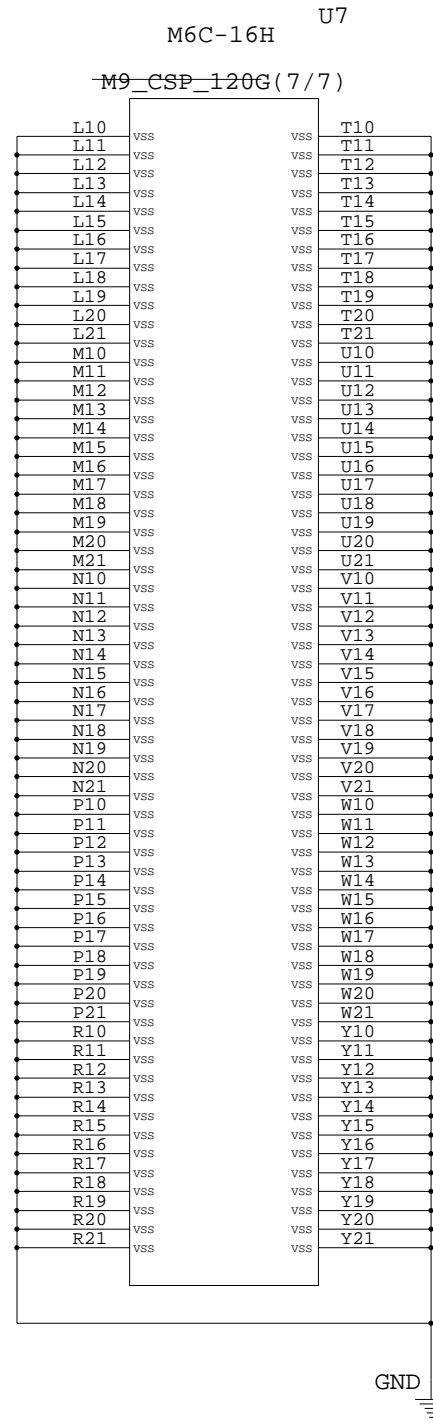
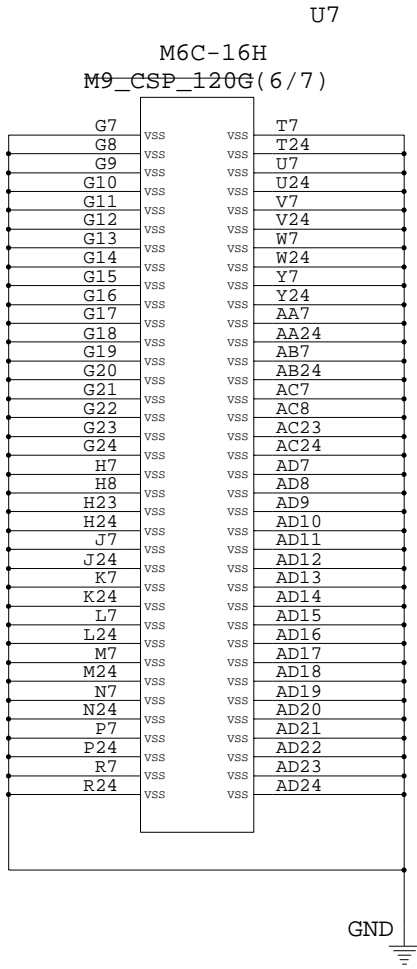
DESIGNER	Y. Y	05/27/03	PART NO.	93P3976	<b>IBM</b>
CHECKED	Y. I	05/27/03	TITLE		
APPROVED	K. T	05/27/03	CLASS	GFX:RAGE M9(5/6)	
THIS DOCUMENT IS THE PROPERTY OF IBM ITS USE IS AUTHORIZED ONLY FOR RESPONDING TO A REQUEST FOR QUOTATION OR FOR THE PERFORMANCE OF WORK FOR IBM. ALL QUESTIONS MUST BE REFERRED TO THE IBM PURCHASING DEPARTMENT.					IBM CONFIDENTIAL

A B C D E F G H J K L M N P Q

0



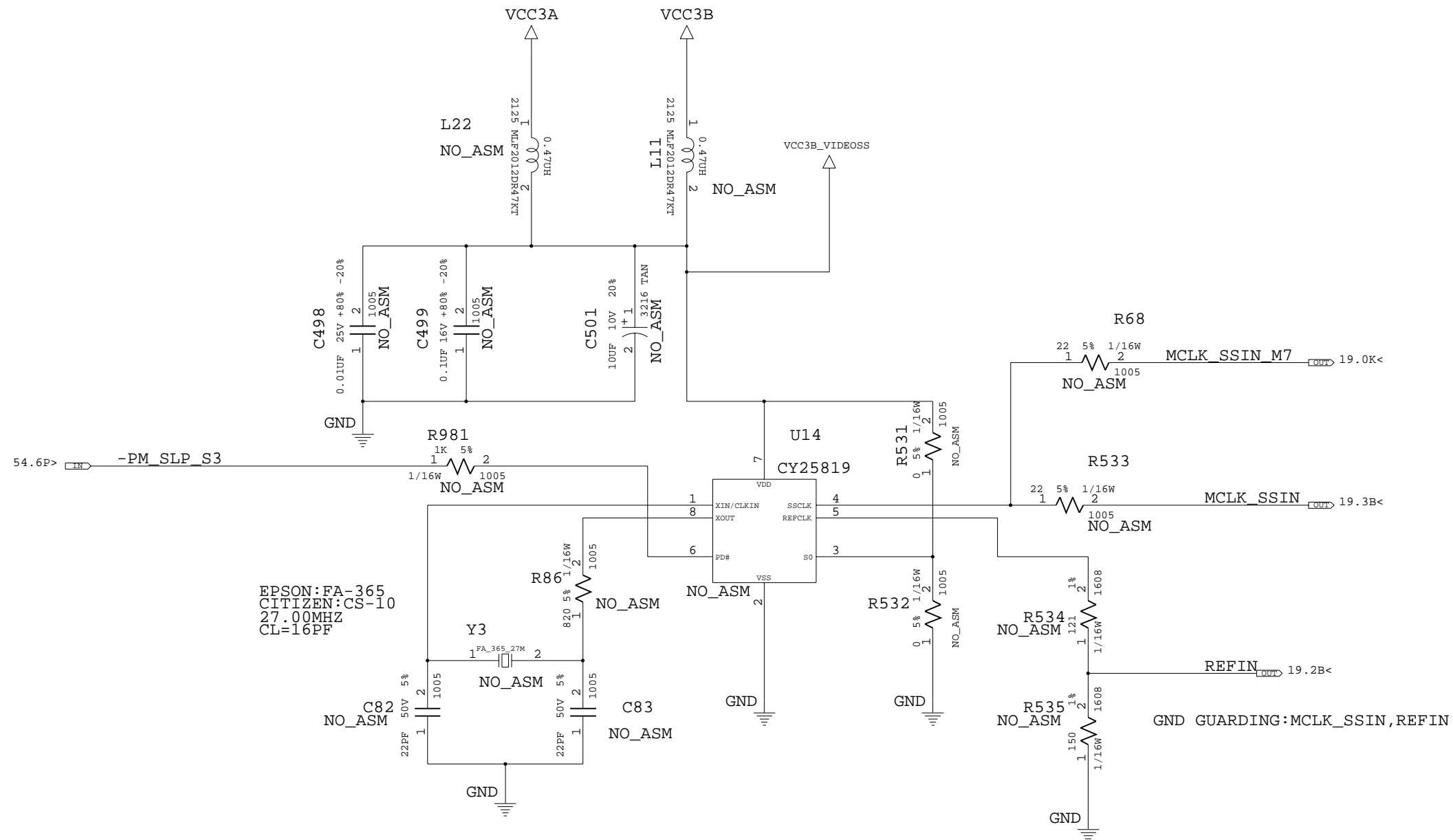
	DATE	EC NO.	PART NO.	
	05/13/03	J18095	93P3976	
	05/27/03	J18095A	DEVELOPMENT NO.	Q/M
				23 /83



93P3976

DESIGNER	Y. Y	05/27/03	PART NO.	93P3976	<b>IBM</b>
CHECKED	Y. I	05/27/03	TITLE		
APPROVED	K. T	05/27/03	CLASS	GFX:RAGE M9(6/6)	
<small>THIS DOCUMENT IS THE PROPERTY OF IBM ITS USE IS AUTHORIZED ONLY FOR RESPONDING TO A REQUEST FOR QUOTATION OR FOR THE PERFORMANCE OF WORK FOR IBM. ALL QUESTIONS MUST BE REFERRED TO THE IBM PURCHASING DEPARTMENT.</small>					IBM CONFIDENTIAL

DATE		EC NO.		PART NO.	
05/13/03		J18095		93P3976	
05/27/03		J18095A		DEVELOPMENT NO.	
				Q/M	
				24 /83	

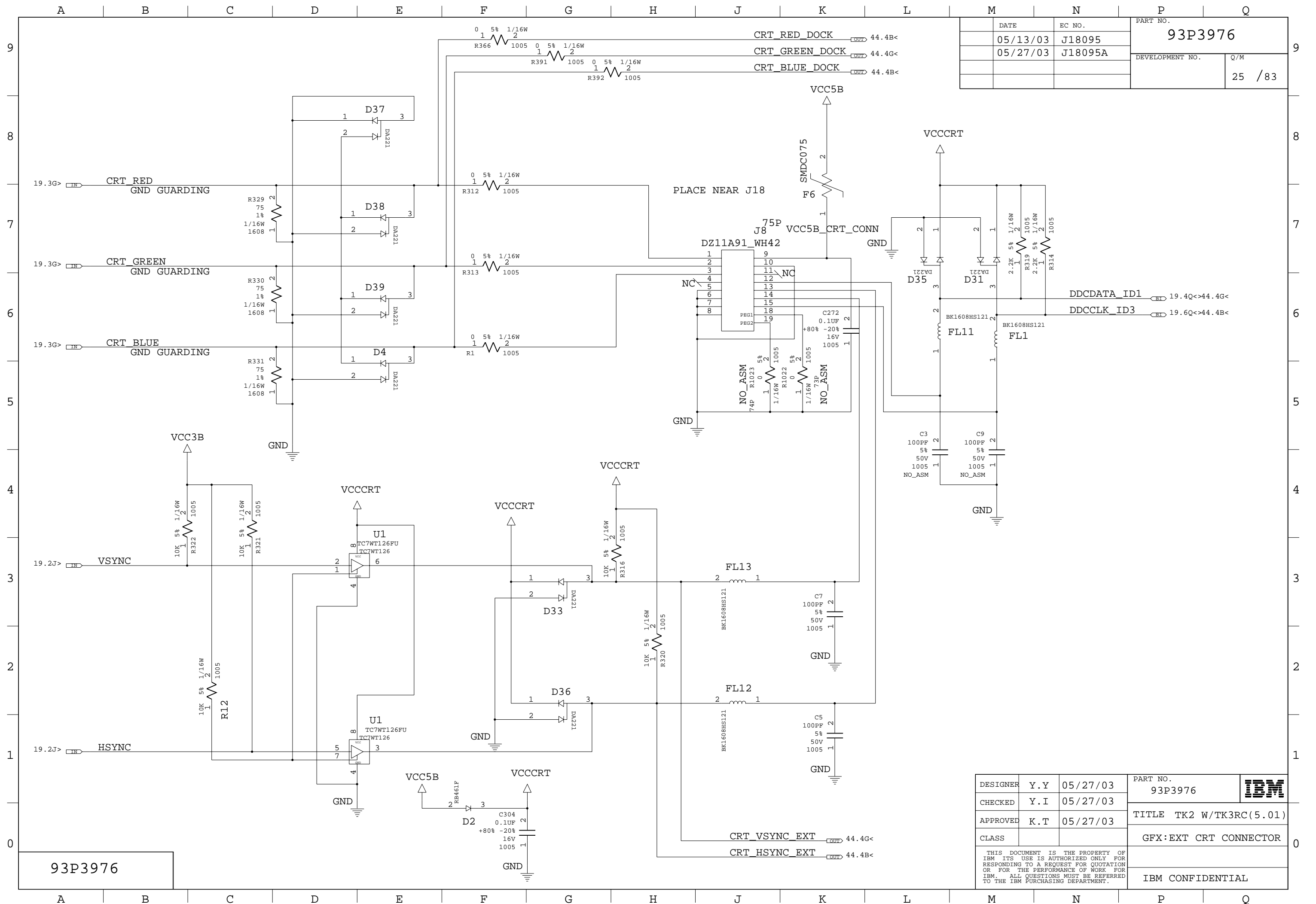


(PAGE G1 ADDITIONAL)

93P3976

DESIGNER	Y.Y	05/27/03	PART NO.	93P3976	<b>IBM</b>
CHECKED	Y.I	05/27/03	TITLE TK2 W/TK3RC(5.01)		
APPROVED	K.T	05/27/03	GFX:CLOCK MODULATOR		
CLASS			THIS DOCUMENT IS THE PROPERTY OF IBM ITS USE IS AUTHORIZED ONLY FOR RESPONDING TO A REQUEST FOR QUOTATION OR FOR THE PERFORMANCE OF WORK FOR IBM. ALL QUESTIONS MUST BE REFERRED TO THE IBM PURCHASING DEPARTMENT.		IBM CONFIDENTIAL



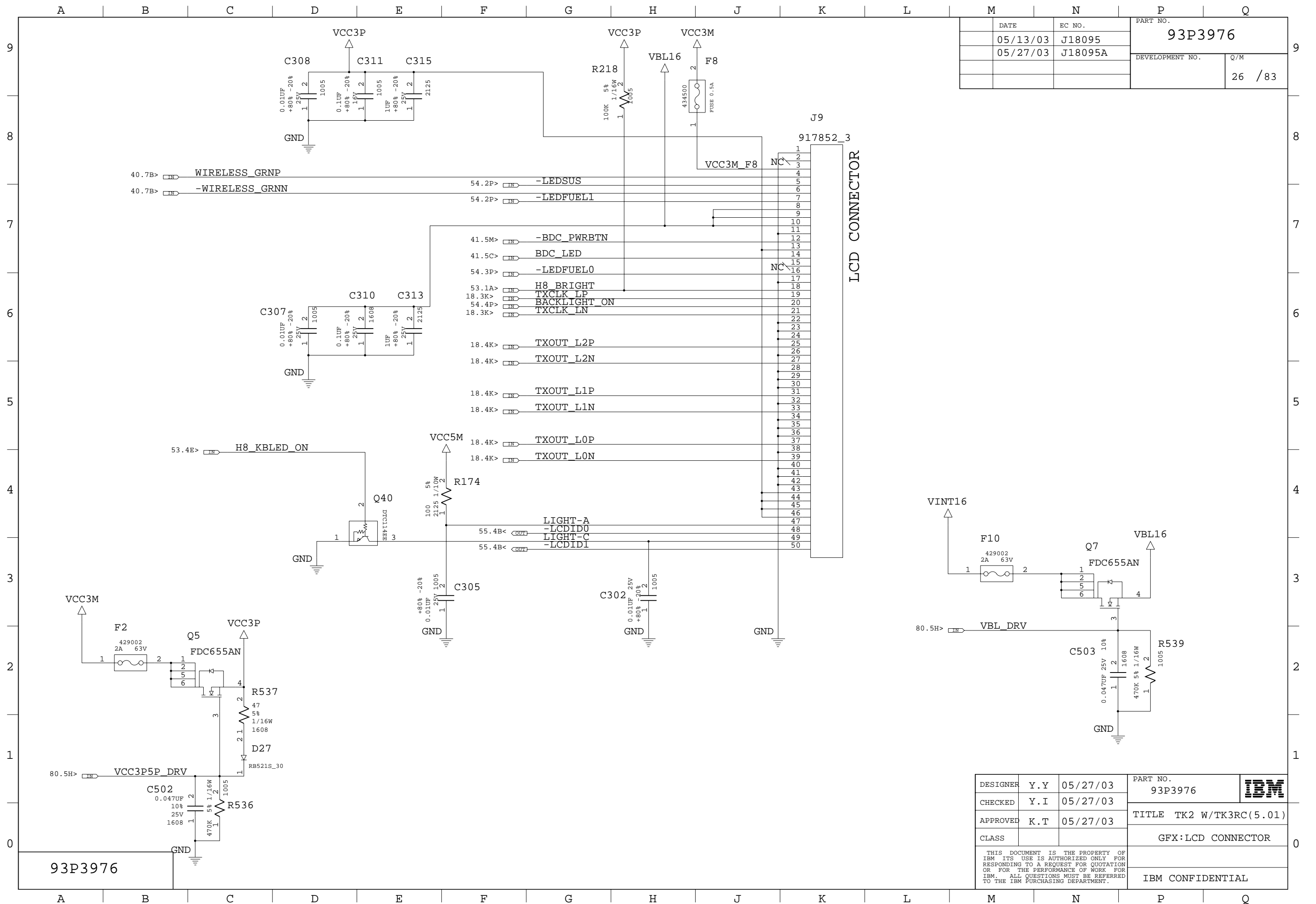


DATE	EC NO.	PART NO.	
05/13/03	J18095	93P3976	
05/27/03	J18095A	DEVELOPMENT NO.	Q/M
			25 /83

93P3976

DESIGNER	Y.Y	05/27/03	PART NO.	93P3976	
CHECKED	Y.I	05/27/03	TITLE		
APPROVED	K.T	05/27/03	GFX:EXT CRT CONNECTOR		
CLASS			IBM CONFIDENTIAL		

THIS DOCUMENT IS THE PROPERTY OF IBM ITS USE IS AUTHORIZED ONLY FOR RESPONDING TO A REQUEST FOR QUOTATION OR FOR THE PERFORMANCE OF WORK FOR IBM. ALL QUESTIONS MUST BE REFERRED TO THE IBM PURCHASING DEPARTMENT.



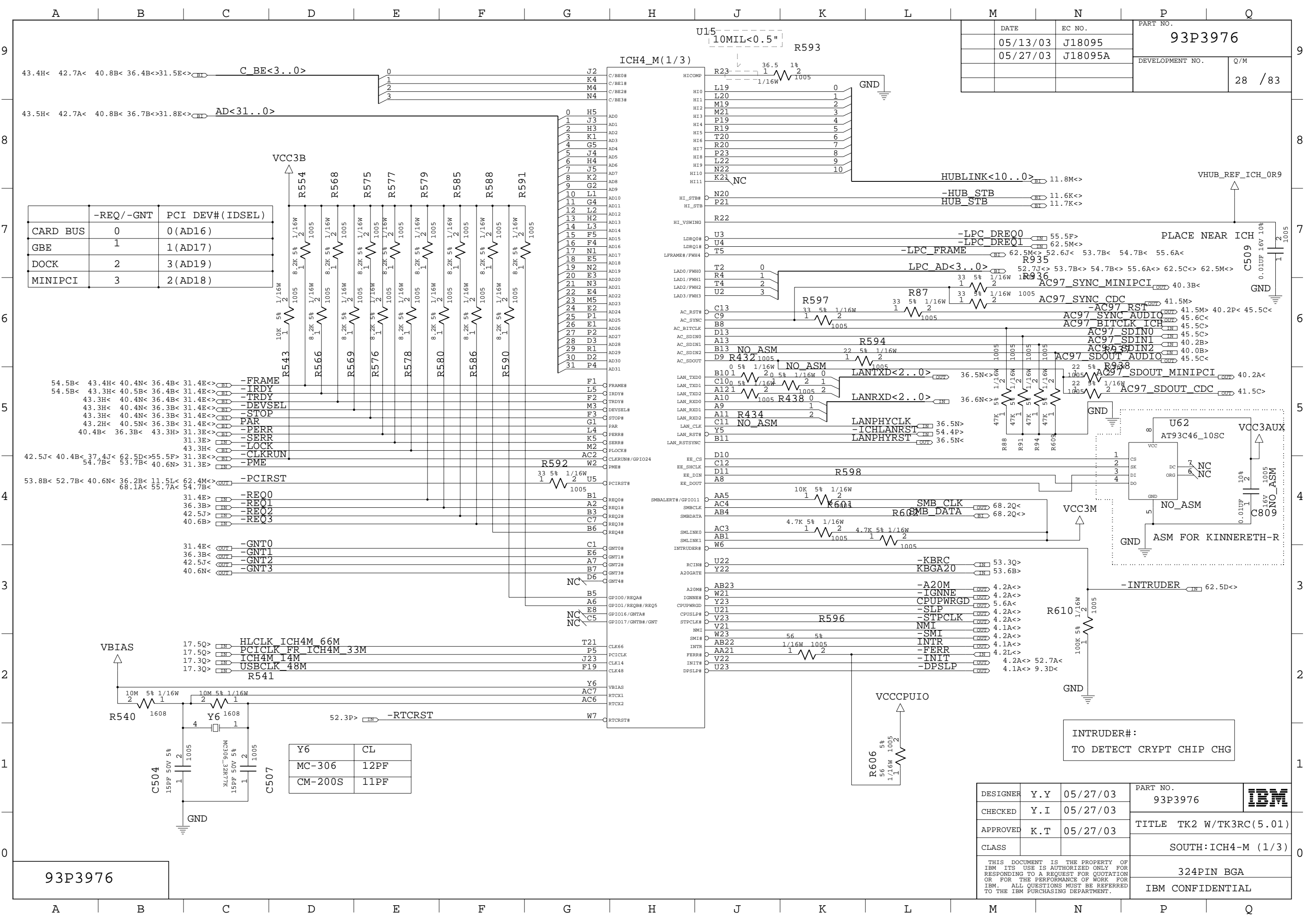
DATE	EC NO.	PART NO.	
05/13/03	J18095	93P3976	
05/27/03	J18095A	DEVELOPMENT NO.	Q/M
			26 /83

93P3976

DESIGNER	Y.Y	05/27/03	PART NO.	93P3976	
CHECKED	Y.I	05/27/03	TITLE		
APPROVED	K.T	05/27/03	GFX:LCD CONNECTOR		
CLASS			IBM CONFIDENTIAL		

THIS DOCUMENT IS THE PROPERTY OF IBM ITS USE IS AUTHORIZED ONLY FOR RESPONDING TO A REQUEST FOR QUOTATION OR FOR THE PERFORMANCE OF WORK FOR IBM. ALL QUESTIONS MUST BE REFERRED TO THE IBM PURCHASING DEPARTMENT.





DATE	EC NO.	PART NO.
05/13/03	J18095	93P3976
05/27/03	J18095A	DEVELOPMENT NO.
		Q/M
		28 / 83

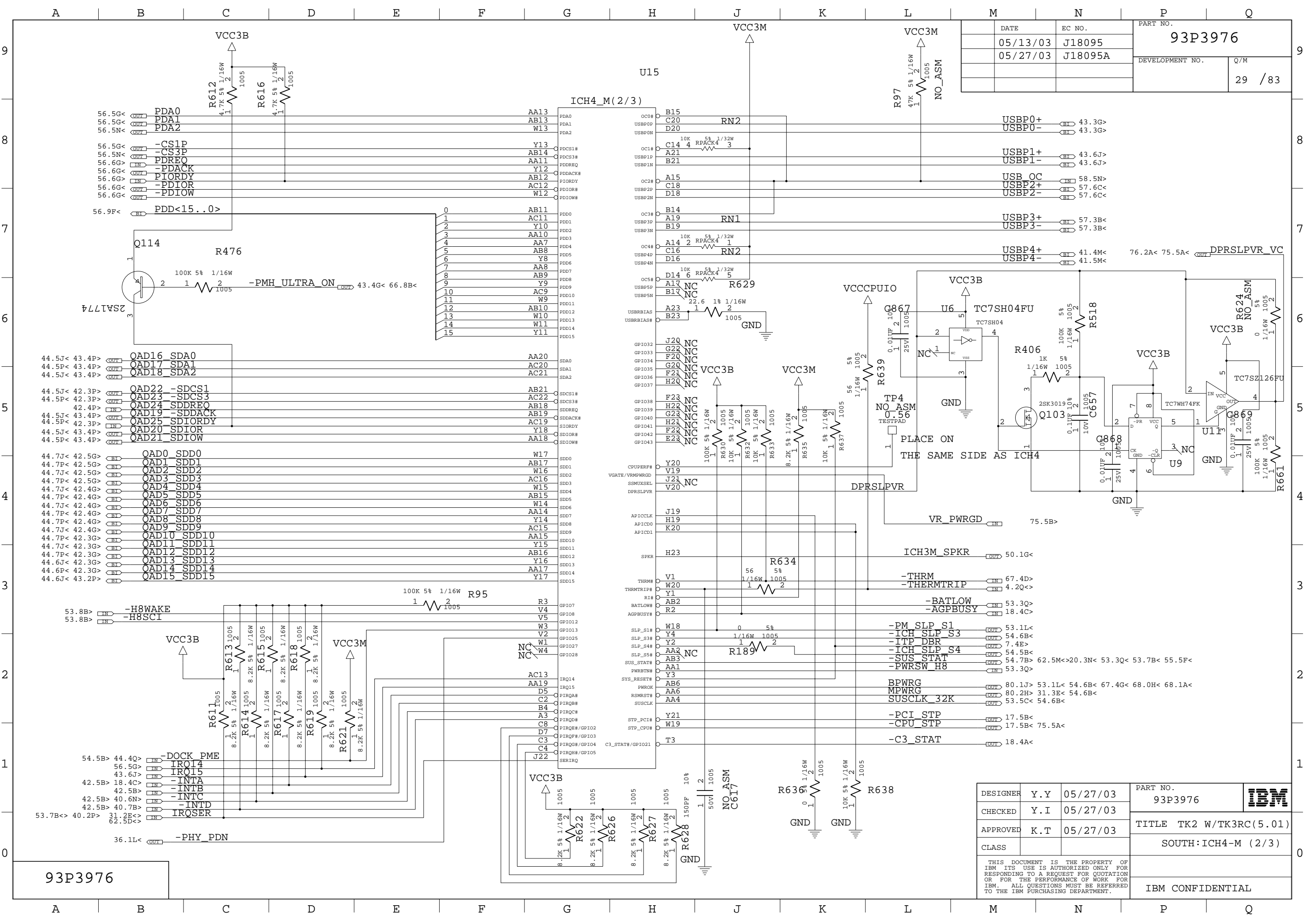
	-REQ/-GNT	PCI DEV#(IDSEL)
CARD BUS	0	0 (AD16)
GBE	1	1 (AD17)
DOCK	2	3 (AD19)
MINIPCI	3	2 (AD18)

Y6	CL
MC-306	12PF
CM-200S	11PF

DESIGNER	Y.Y	05/27/03	PART NO.	93P3976	<b>IBM</b>
CHECKED	Y.I	05/27/03	TITLE	TK2 W/TK3RC(5.01)	
APPROVED	K.T	05/27/03	SOUTH: ICH4-M (1/3)		
CLASS			324PIN BGA		
THIS DOCUMENT IS THE PROPERTY OF IBM ITS USE IS AUTHORIZED ONLY FOR RESPONDING TO A REQUEST FOR QUOTATION OR FOR THE PERFORMANCE OF WORK FOR IBM. ALL QUESTIONS MUST BE REFERRED TO THE IBM PURCHASING DEPARTMENT.					IBM CONFIDENTIAL

93P3976

INTRUDER#:  
TO DETECT CRYPT CHIP CHG



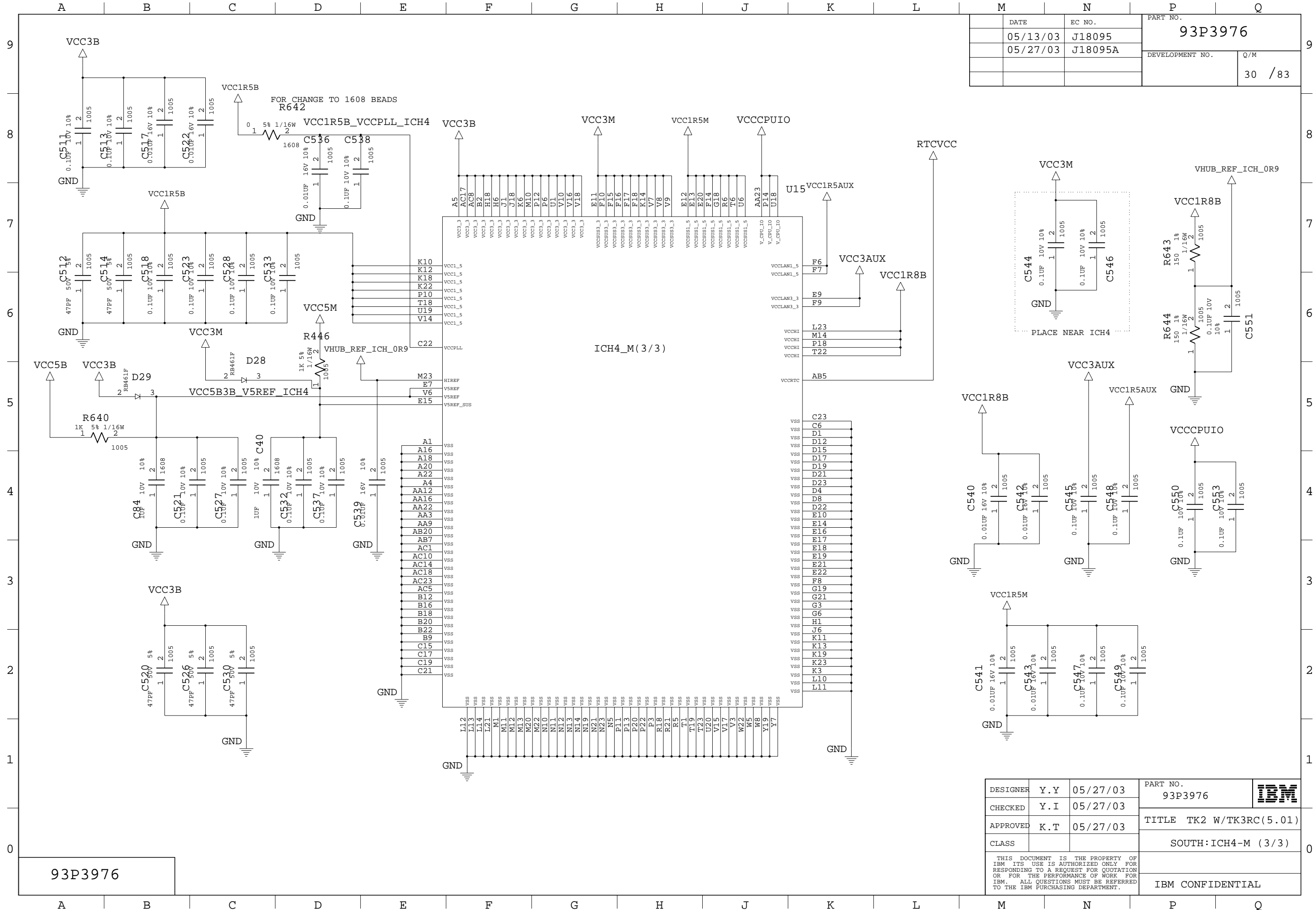
DATE	EC NO.	PART NO.	
05/13/03	J18095	93P3976	
05/27/03	J18095A	DEVELOPMENT NO.	Q/M
			29 / 83

DESIGNER	Y.Y	05/27/03	PART NO.	93P3976	
CHECKED	Y.I	05/27/03	TITLE		
APPROVED	K.T	05/27/03	SOUTH: ICH4-M (2/3)		
CLASS			IBM CONFIDENTIAL		

THIS DOCUMENT IS THE PROPERTY OF IBM ITS USE IS AUTHORIZED ONLY FOR RESPONDING TO A REQUEST FOR QUOTATION OR FOR THE PERFORMANCE OF WORK FOR IBM. ALL QUESTIONS MUST BE REFERRED TO THE IBM PURCHASING DEPARTMENT.

93P3976

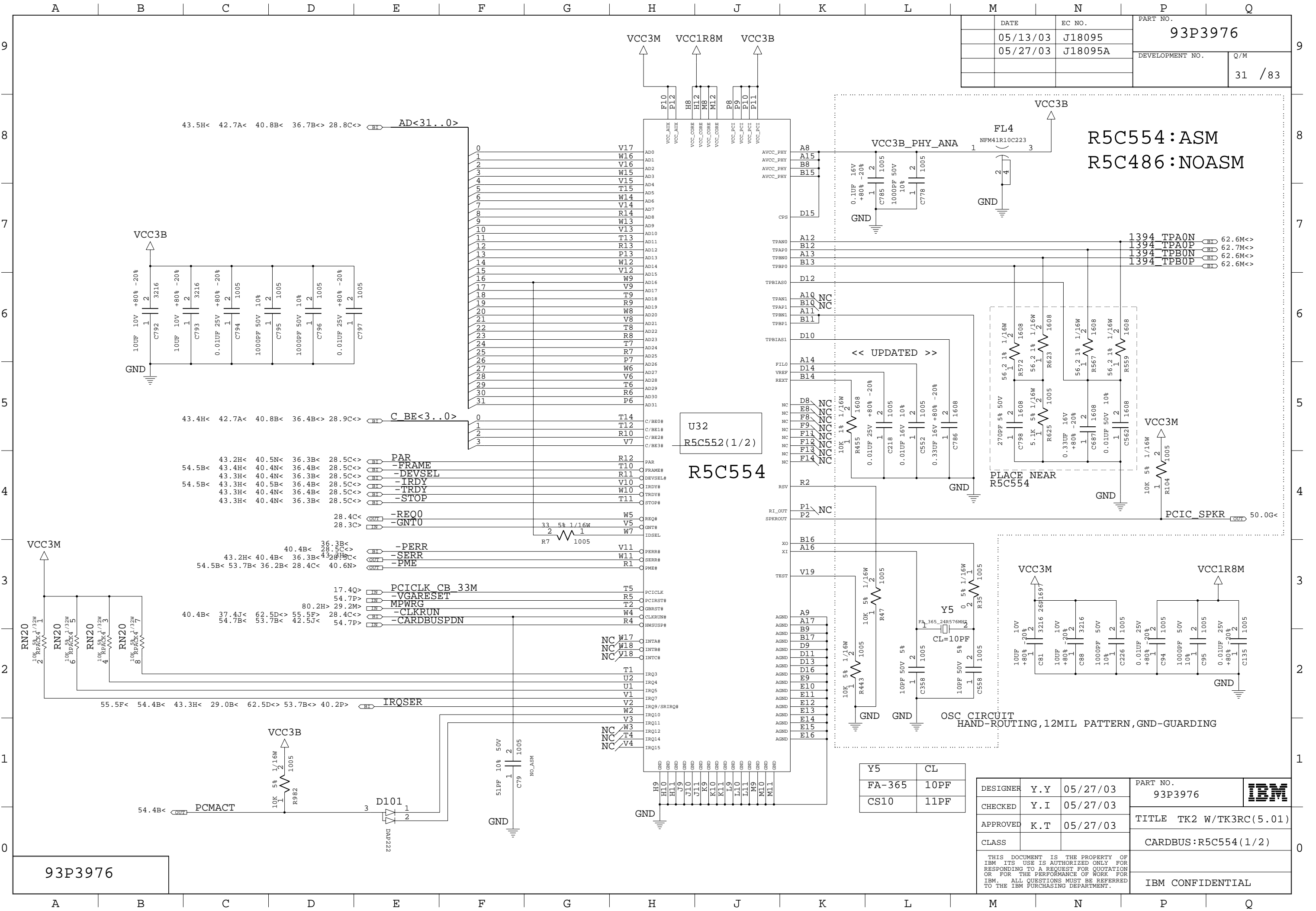
DATE	EC NO.	PART NO.	
05/13/03	J18095	93P3976	
05/27/03	J18095A	DEVELOPMENT NO.	Q/M
			30 / 83



93P3976

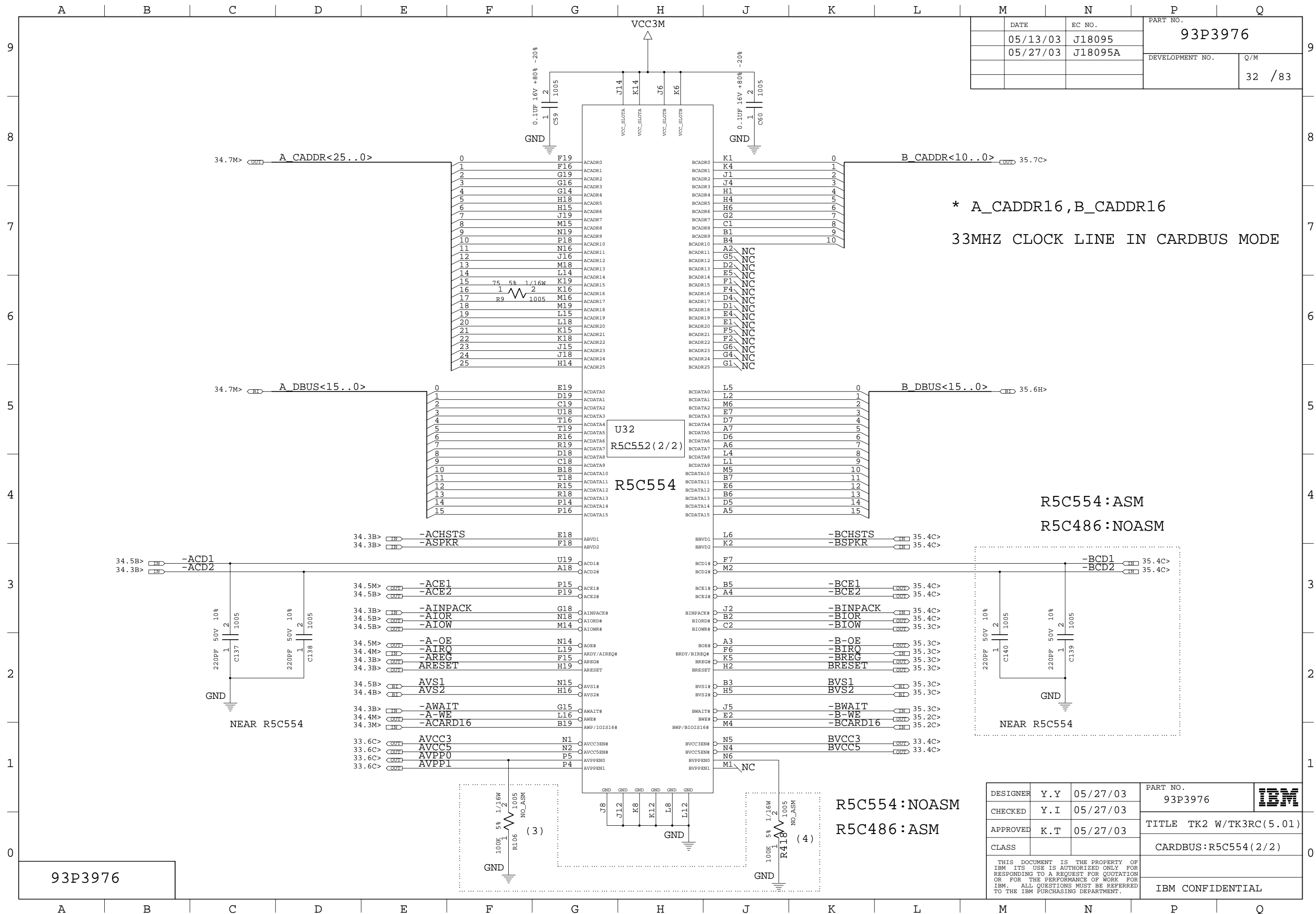
DESIGNER	Y.Y	05/27/03	PART NO.	93P3976	
CHECKED	Y.I	05/27/03	TITLE		
APPROVED	K.T	05/27/03	SOUTH: ICH4-M (3/3)		
CLASS			THIS DOCUMENT IS THE PROPERTY OF IBM ITS USE IS AUTHORIZED ONLY FOR RESPONDING TO A REQUEST FOR QUOTATION OR FOR THE PERFORMANCE OF WORK FOR IBM. ALL QUESTIONS MUST BE REFERRED TO THE IBM PURCHASING DEPARTMENT.		
			IBM CONFIDENTIAL		

DATE	EC NO.	PART NO.
05/13/03	J18095	93P3976
05/27/03	J18095A	DEVELOPMENT NO.
		Q/M
		31 / 83



93P3976

DESIGNER	Y.Y	05/27/03	PART NO.	93P3976	<b>IBM</b>
CHECKED	Y.I	05/27/03	TITLE	TK2 W/TK3RC(5.01)	
APPROVED	K.T	05/27/03	CARDBUS:R5C554(1/2)		
CLASS					
THIS DOCUMENT IS THE PROPERTY OF IBM ITS USE IS AUTHORIZED ONLY FOR RESPONDING TO A REQUEST FOR QUOTATION OR FOR THE PERFORMANCE OF WORK FOR IBM. ALL QUESTIONS MUST BE REFERRED TO THE IBM PURCHASING DEPARTMENT.					IBM CONFIDENTIAL

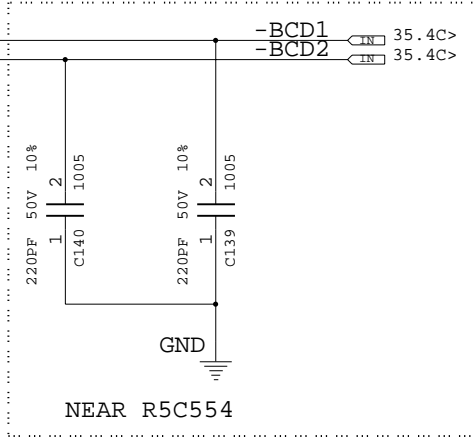


DATE	EC NO.	PART NO.	
05/13/03	J18095	93P3976	
05/27/03	J18095A	DEVELOPMENT NO.	Q/M
			32 / 83

\* A\_CADDR16, B\_CADDR16  
33MHZ CLOCK LINE IN CARDBUS MODE

R5C554: ASM  
R5C486: NOASM

R5C554: NOASM  
R5C486: ASM

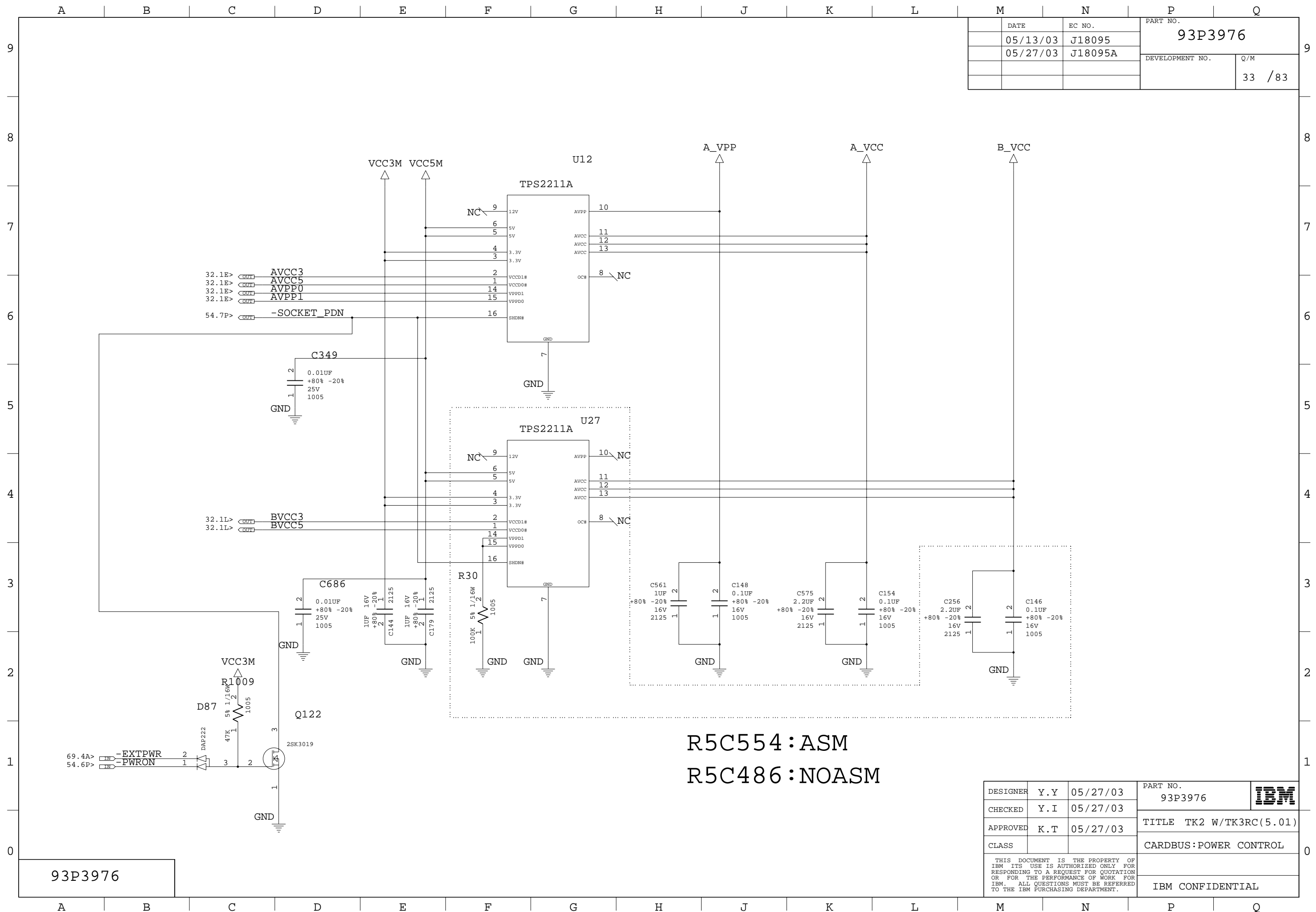


DESIGNER	Y. Y	05/27/03	PART NO.	93P3976	IBM
CHECKED	Y. I	05/27/03	TITLE		
APPROVED	K. T	05/27/03	CLASS	CARBUS:R5C554(2/2)	
THIS DOCUMENT IS THE PROPERTY OF IBM ITS USE IS AUTHORIZED ONLY FOR RESPONDING TO A REQUEST FOR QUOTATION OR FOR THE PERFORMANCE OF WORK FOR IBM. ALL QUESTIONS MUST BE REFERRED TO THE IBM PURCHASING DEPARTMENT.					IBM CONFIDENTIAL

93P3976



	DATE	EC NO.	PART NO.	
	05/13/03	J18095	93P3976	
	05/27/03	J18095A	DEVELOPMENT NO.	Q/M
				33 / 83

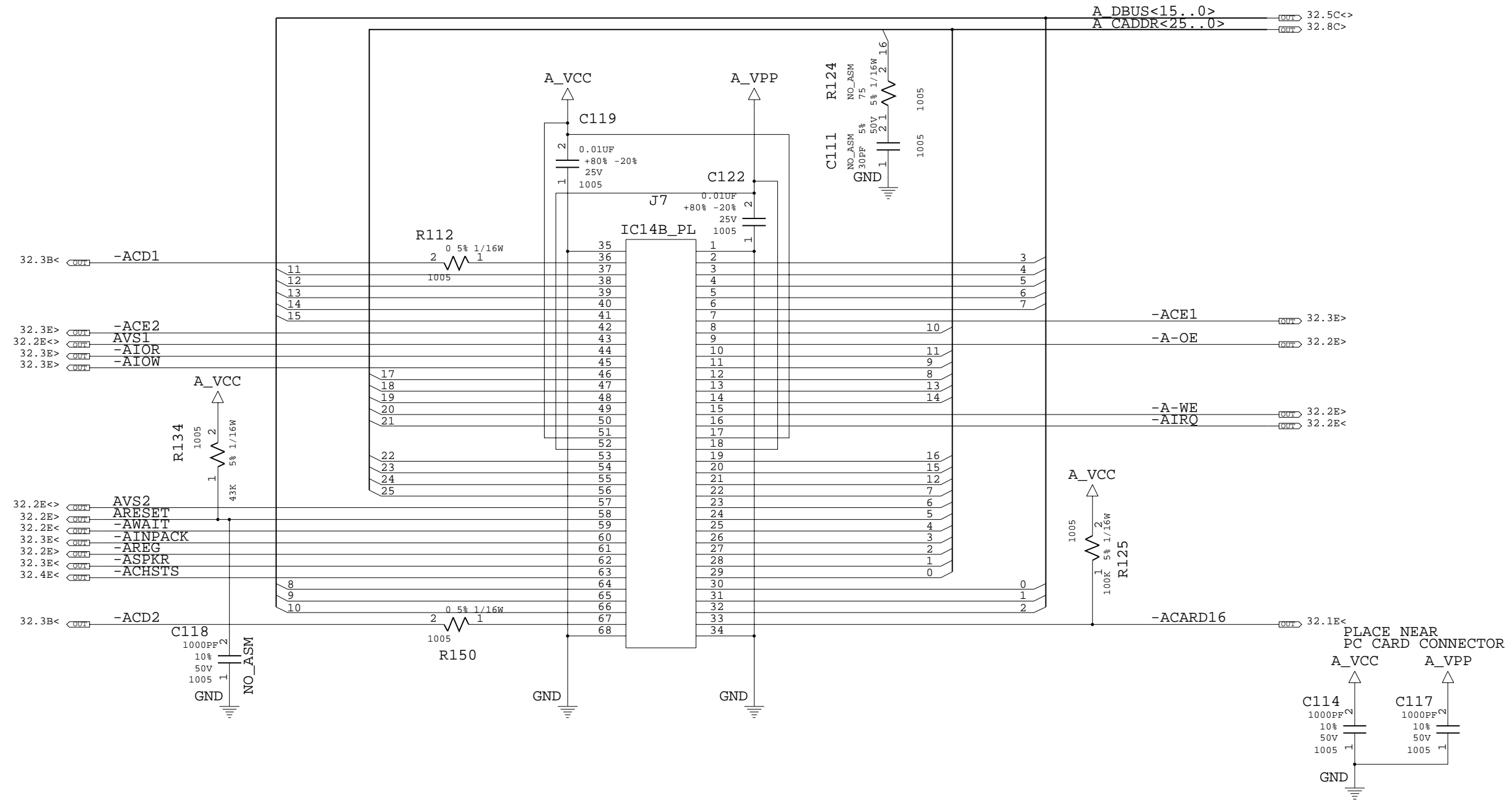


R5C554:ASM  
R5C486:NOASM

93P3976

DESIGNER	Y.Y	05/27/03	PART NO.	93P3976	
CHECKED	Y.I	05/27/03	TITLE TK2 W/TK3RC(5.01)		
APPROVED	K.T	05/27/03	CLASS		CARDBUS:POWER CONTROL
THIS DOCUMENT IS THE PROPERTY OF IBM ITS USE IS AUTHORIZED ONLY FOR RESPONDING TO A REQUEST FOR QUOTATION OR FOR THE PERFORMANCE OF WORK FOR IBM. ALL QUESTIONS MUST BE REFERRED TO THE IBM PURCHASING DEPARTMENT.					IBM CONFIDENTIAL

DATE	EC NO.	PART NO.	
05/13/03	J18095	93P3976	
05/27/03	J18095A	DEVELOPMENT NO.	Q/M
			34 / 83



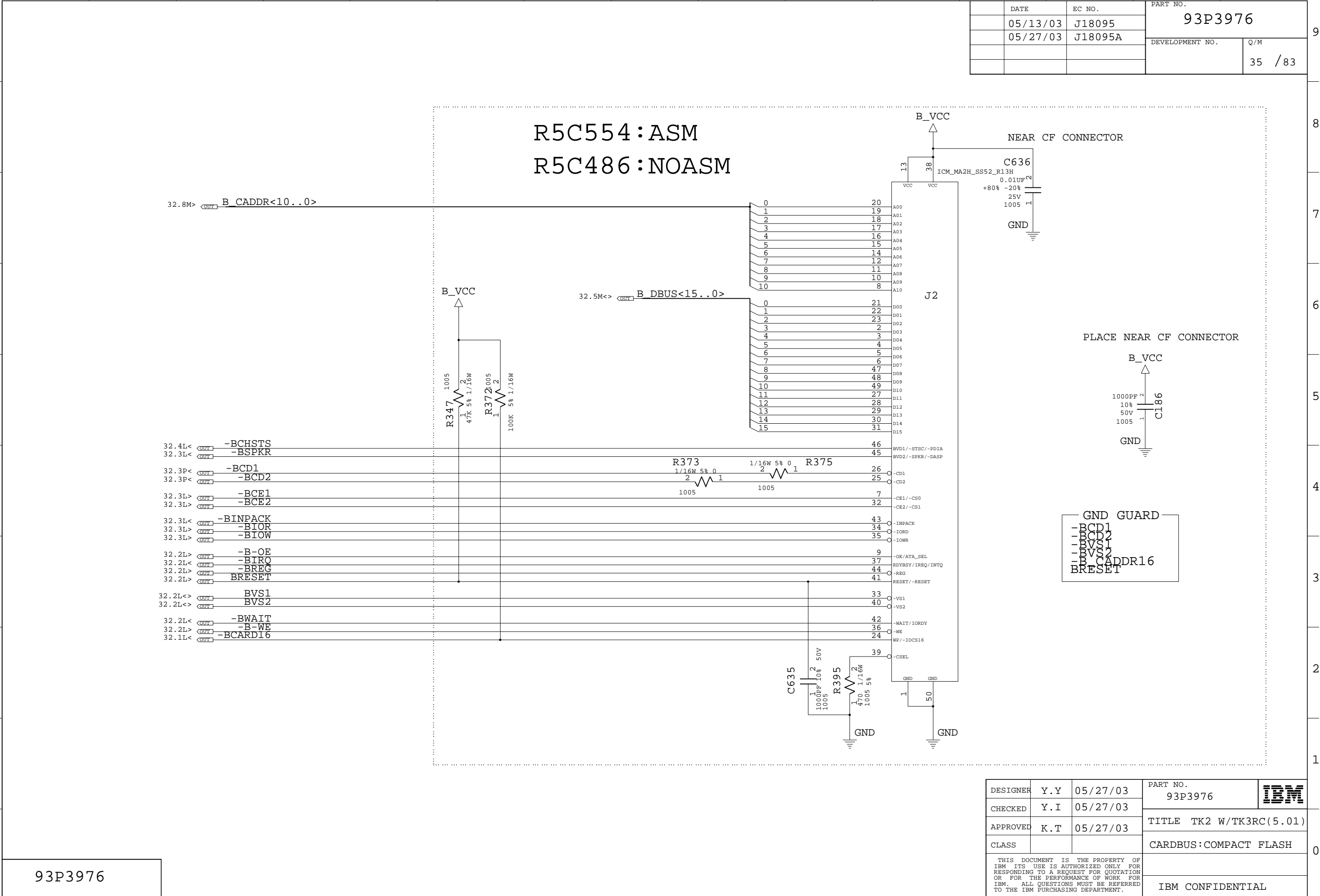
93P3976

DESIGNER	Y.Y	05/27/03	PART NO.	93P3976	<b>IBM</b>
CHECKED	Y.I	05/27/03	TITLE		
APPROVED	K.T	05/27/03	CARDBUS:PCMCIA SLOT		
CLASS			THIS DOCUMENT IS THE PROPERTY OF IBM ITS USE IS AUTHORIZED ONLY FOR RESPONDING TO A REQUEST FOR QUOTATION OR FOR THE PERFORMANCE OF WORK FOR IBM. ALL QUESTIONS MUST BE REFERRED TO THE IBM PURCHASING DEPARTMENT.		
			IBM CONFIDENTIAL		

DATE	EC NO.	PART NO.	
05/13/03	J18095	93P3976	
05/27/03	J18095A	DEVELOPMENT NO.	Q/M
			35 / 83

9  
8  
7  
6  
5  
4  
3  
2  
1  
0

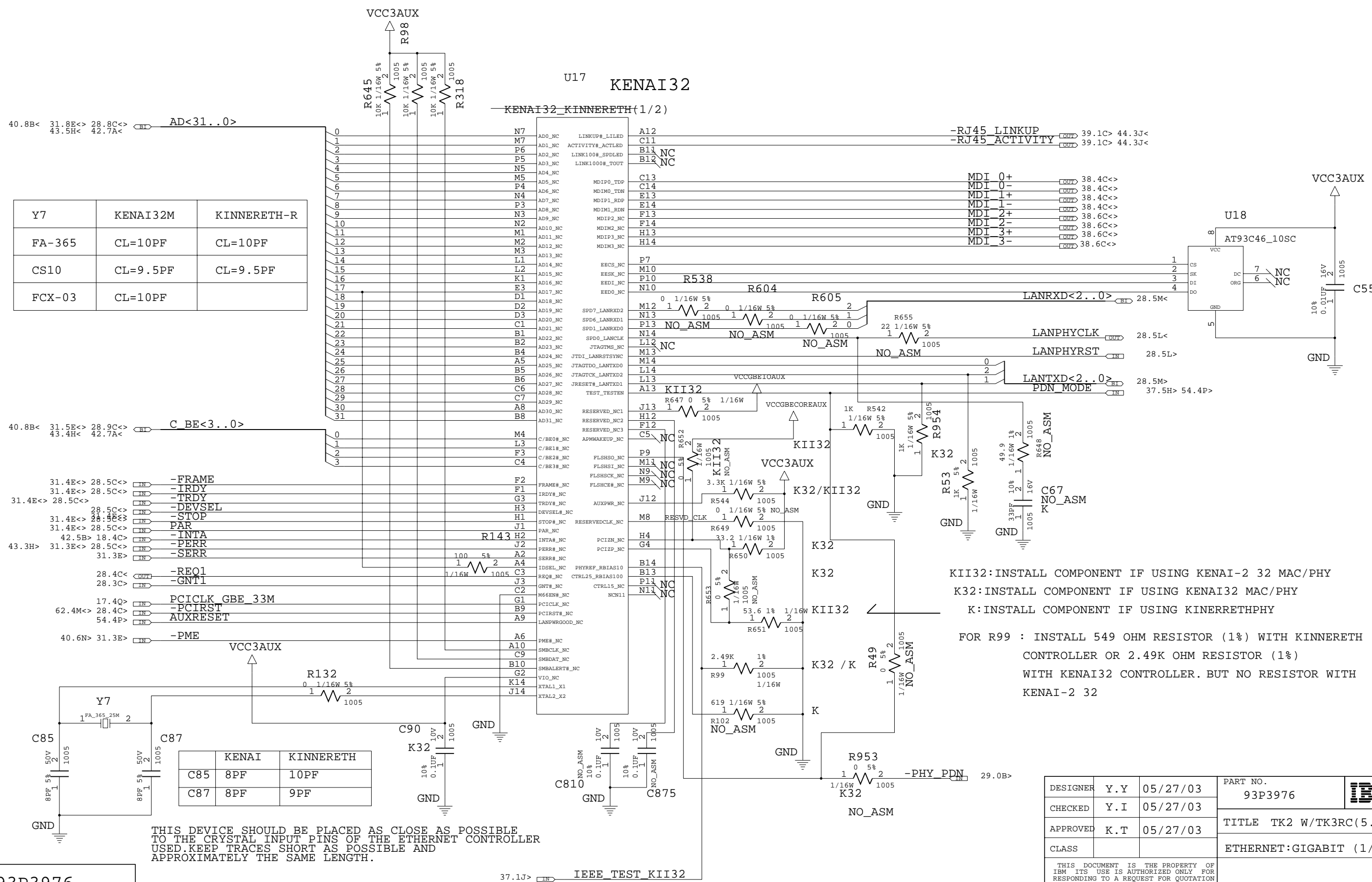
9  
8  
7  
6  
5  
4  
3  
2  
1  
0



93P3976

DESIGNER	Y.Y	05/27/03	PART NO.	93P3976	<b>IBM</b>
CHECKED	Y.I	05/27/03	TITLE TK2 W/TK3RC(5.01)		
APPROVED	K.T	05/27/03	CLASS		CARDBUS:COMPACT FLASH
THIS DOCUMENT IS THE PROPERTY OF IBM ITS USE IS AUTHORIZED ONLY FOR RESPONDING TO A REQUEST FOR QUOTATION OR FOR THE PERFORMANCE OF WORK FOR IBM. ALL QUESTIONS MUST BE REFERRED TO THE IBM PURCHASING DEPARTMENT.					IBM CONFIDENTIAL

DATE	EC NO.	PART NO.	
05/13/03	J18095	93P3976	
05/27/03	J18095A	DEVELOPMENT NO.	Q/M
			36 / 83



Y7	KENAI32M	KINNERETH-R
FA-365	CL=10PF	CL=10PF
CS10	CL=9.5PF	CL=9.5PF
FCX-03	CL=10PF	

40.8B<	31.5E<>	28.9C<>	C BE<3..0>
43.5H<	42.7A<		

31.4E<>	28.5C<>	-FRAME
31.4E<>	28.5C<>	-IRDY
31.4E<>	28.5C<>	-TRDY
31.4E<>	28.5C<>	-DEVSEL
31.4E<>	28.5C<>	-STOP
31.4E<>	28.5C<>	PAR
42.5B>	18.4C>	-INTA
31.3E<>	28.5C<>	-PERR
31.3E>	31.3E>	-SERR
28.4C<	28.3C<	-REQ1
28.3C<	28.3C<	-GNT1
17.4Q>	PCICLK_GBE_33M	
62.4M<>	28.4C>	-PCIRST
54.4P>	54.4P>	AUXRESET
40.6N>	31.3E>	-PME

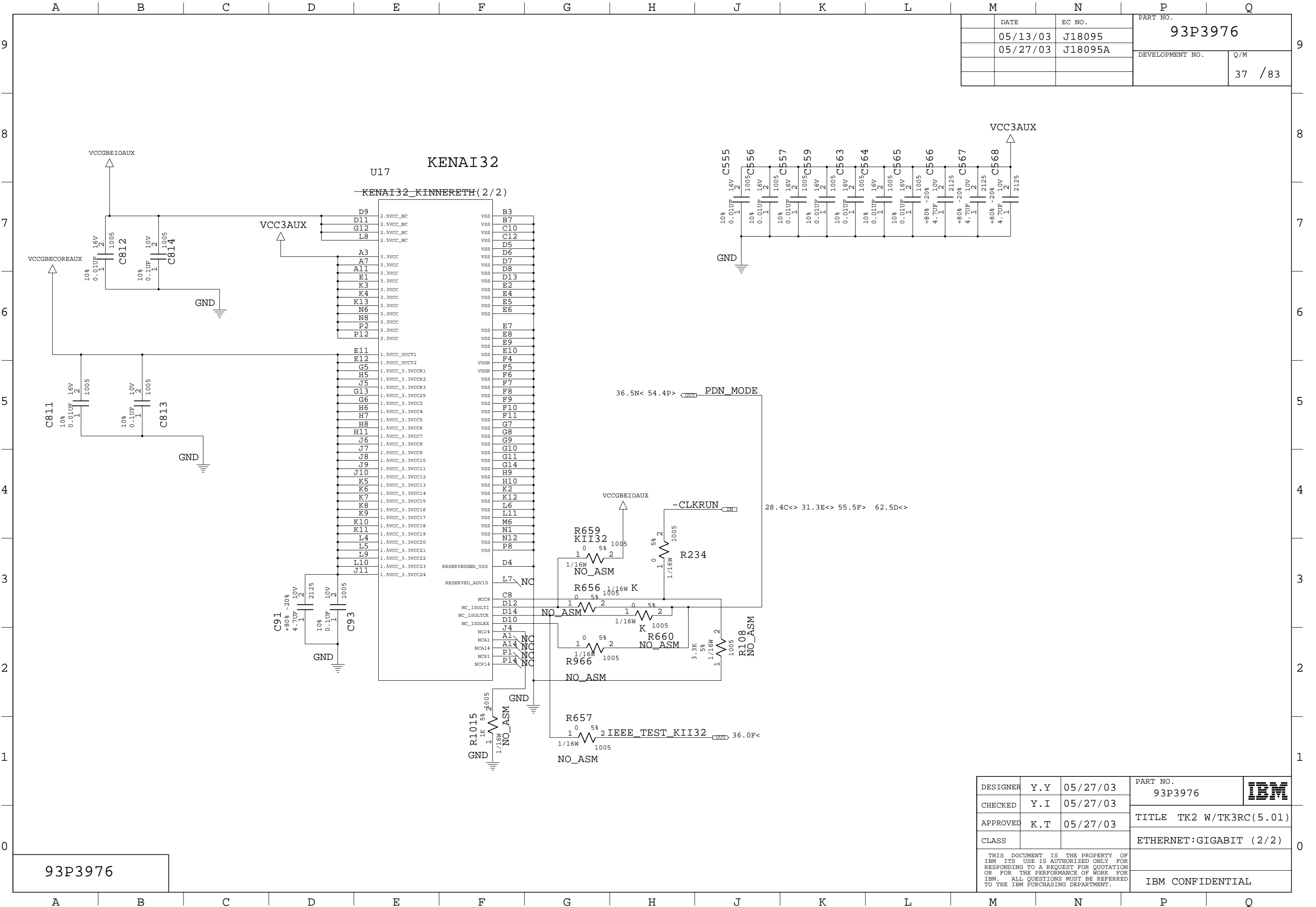
	KENAI	KINNERETH
C85	8PF	10PF
C87	8PF	9PF

KII32: INSTALL COMPONENT IF USING KENAI-2 32 MAC/PHY  
K32: INSTALL COMPONENT IF USING KENAI32 MAC/PHY  
K: INSTALL COMPONENT IF USING KINNERETHPHY  
FOR R99: INSTALL 549 OHM RESISTOR (1%) WITH KINNERETH CONTROLLER OR 2.49K OHM RESISTOR (1%) WITH KENAI32 CONTROLLER. BUT NO RESISTOR WITH KENAI-2 32

93P3976

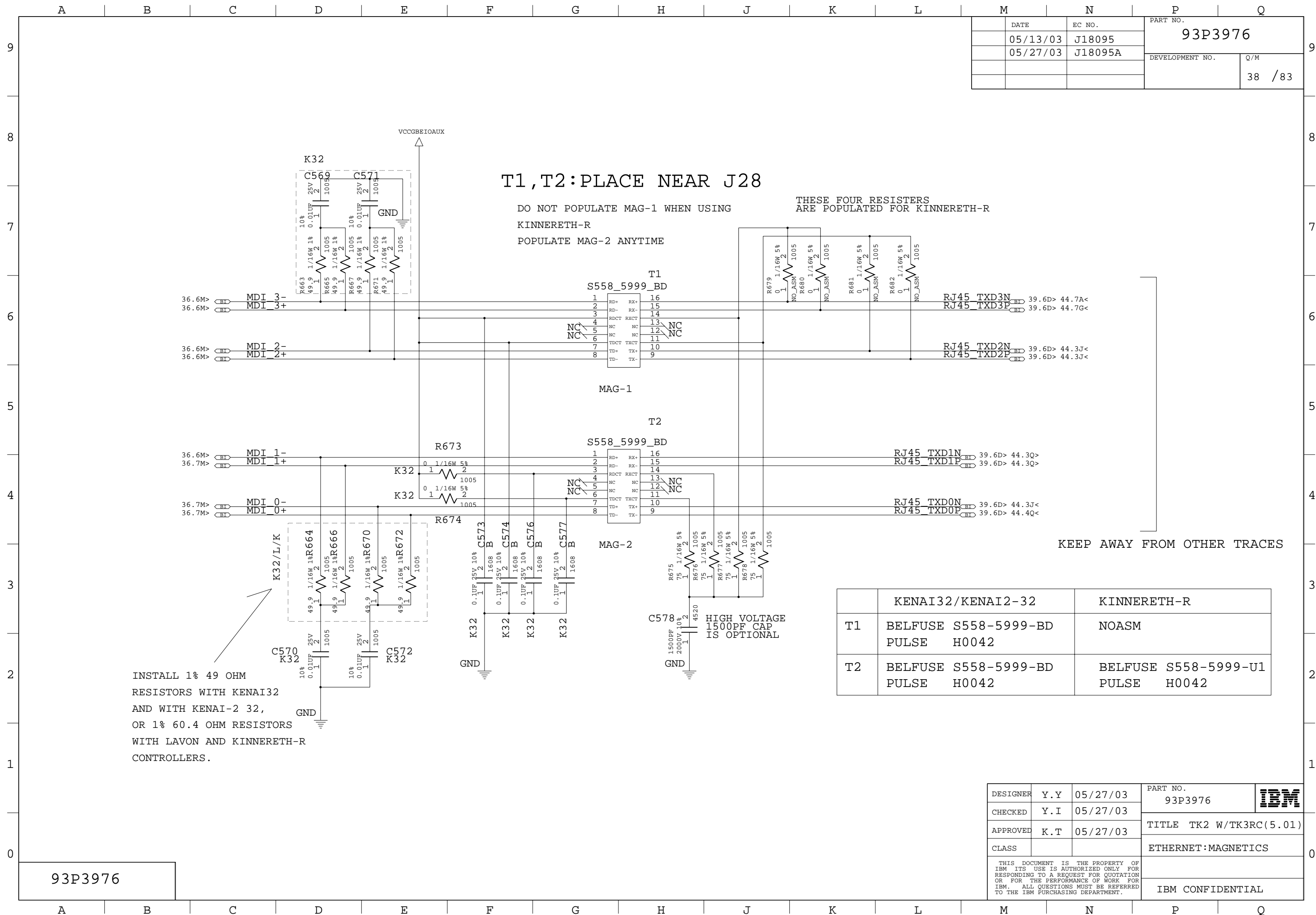
DESIGNER	Y.Y	05/27/03	PART NO.	93P3976	IBM
CHECKED	Y.I	05/27/03			
APPROVED	K.T	05/27/03	TITLE		TK2 W/TK3RC(5.01)
CLASS			ETHERNET:GIGABIT (1/2)		
THIS DOCUMENT IS THE PROPERTY OF IBM ITS USE IS AUTHORIZED ONLY FOR RESPONDING TO A REQUEST FOR QUOTATION OR FOR THE PERFORMANCE OF WORK FOR IBM. ALL QUESTIONS MUST BE REFERRED TO THE IBM PURCHASING DEPARTMENT.					IBM CONFIDENTIAL

DATE	EC NO.	PART NO.	
05/13/03	J18095	93P3976	
05/27/03	J18095A	DEVELOPMENT NO.	Q/M
			37 / 83



93P3976

DESIGNER	Y.Y	05/27/03	PART NO.	93P3976	<b>IBM</b>
CHECKED	Y.I	05/27/03	TITLE TK2 W/TK3RC(5.01)		
APPROVED	K.T	05/27/03	ETHERNET:GIGABIT (2/2)		
CLASS			THIS DOCUMENT IS THE PROPERTY OF IBM ITS USE IS AUTHORIZED ONLY FOR RESPONDING TO A REQUEST FOR QUOTATION OR FOR THE PERFORMANCE OF WORK FOR IBM. ALL QUESTIONS MUST BE REFERRED TO THE IBM PURCHASING DEPARTMENT.		IBM CONFIDENTIAL



DATE	EC NO.	PART NO.	
05/13/03	J18095	93P3976	
05/27/03	J18095A	DEVELOPMENT NO.	Q/M
			38 /83

INSTALL 1% 49 OHM RESISTORS WITH KENAI32 AND WITH KENAI-2 32, OR 1% 60.4 OHM RESISTORS WITH LAVON AND KINNERETH-R CONTROLLERS.

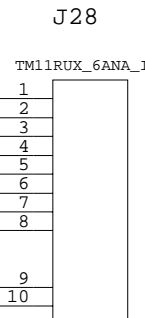
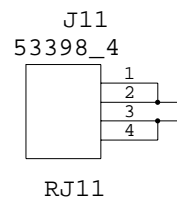
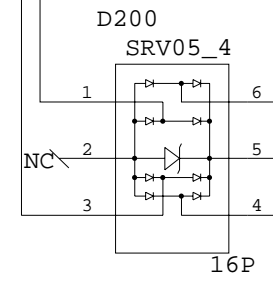
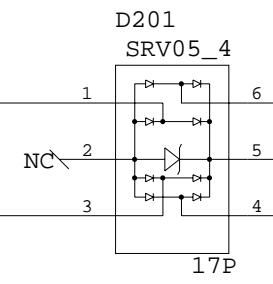
93P3976

DESIGNER	Y.Y	05/27/03	PART NO.	93P3976	
CHECKED	Y.I	05/27/03	TITLE		
APPROVED	K.T	05/27/03	CLASS	ETHERNET:MAGNETICS	
THIS DOCUMENT IS THE PROPERTY OF IBM ITS USE IS AUTHORIZED ONLY FOR RESPONDING TO A REQUEST FOR QUOTATION OR FOR THE PERFORMANCE OF WORK FOR IBM. ALL QUESTIONS MUST BE REFERRED TO THE IBM PURCHASING DEPARTMENT.					IBM CONFIDENTIAL

DATE	EC NO.	PART NO.	
05/13/03	J18095	93P3976	
05/27/03	J18095A	DEVELOPMENT NO.	Q/M
			39 /83

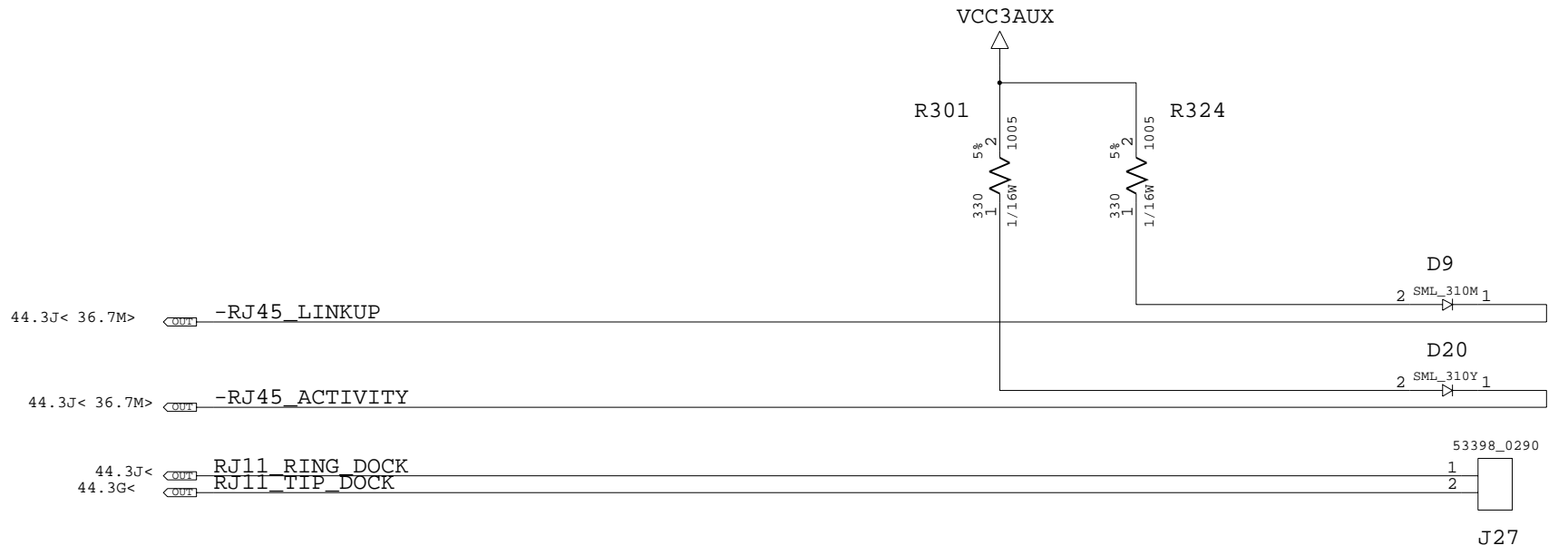
KEEP AWAY FROM OTHER TRACES

- 44.4Q< 38.4M<> RJ45 TXD0P
- 44.3J< 38.4M<> RJ45 TXD0N
- 44.3Q> 38.4M<> RJ45 TXD1P
- 44.3J< 38.6M<> RJ45 TXD2P
- 44.3J< 38.6M<> RJ45 TXD2N
- 44.3Q> 38.4M<> RJ45 TXD1N
- 44.7G< 38.6M<> RJ45 TXD3P
- 44.7A< 38.6M<> RJ45 TXD3N



PIN 1-8 RJ45 PINS  
PIN 9-10 RJ11 PINS

DISTANCE FROM RJ45TERM AND GND PLANE SHOULD BE FARHTER THAN 0.6MM

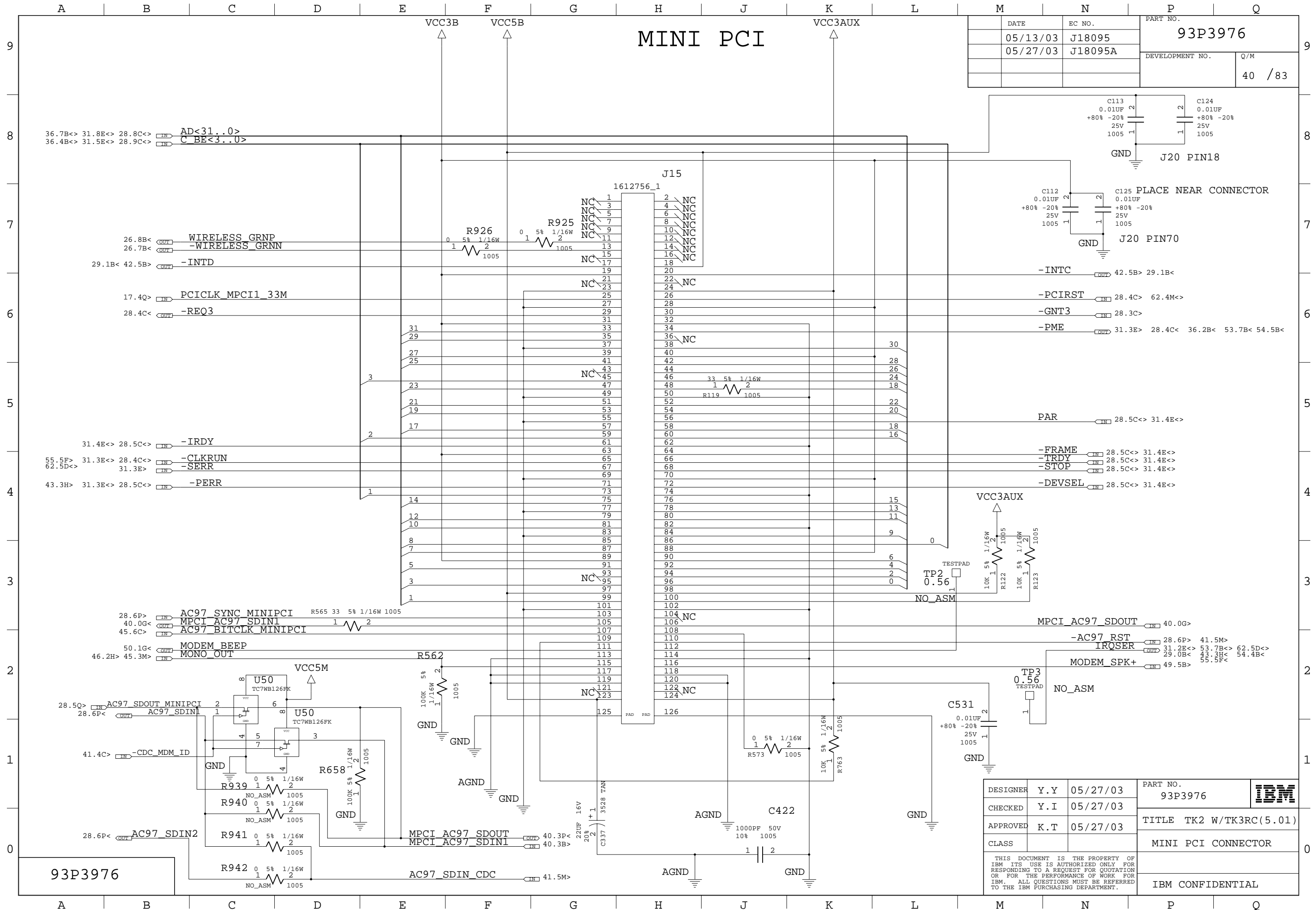


93P3976

DESIGNER	Y.Y	05/27/03	PART NO.	93P3976	
CHECKED	Y.I	05/27/03			
APPROVED	K.T	05/27/03	TITLE TK2 W/TK3RC(5.01)		
CLASS			ETHERNET:RJ11/RJ45 CONNECTOR		
THIS DOCUMENT IS THE PROPERTY OF IBM ITS USE IS AUTHORIZED ONLY FOR RESPONDING TO A REQUEST FOR QUOTATION OR FOR THE PERFORMANCE OF WORK FOR IBM. ALL QUESTIONS MUST BE REFERRED TO THE IBM PURCHASING DEPARTMENT.					IBM CONFIDENTIAL

# MINI PCI

DATE	EC NO.	PART NO.	
05/13/03	J18095	93P3976	
05/27/03	J18095A	DEVELOPMENT NO.	Q/M
			40 / 83

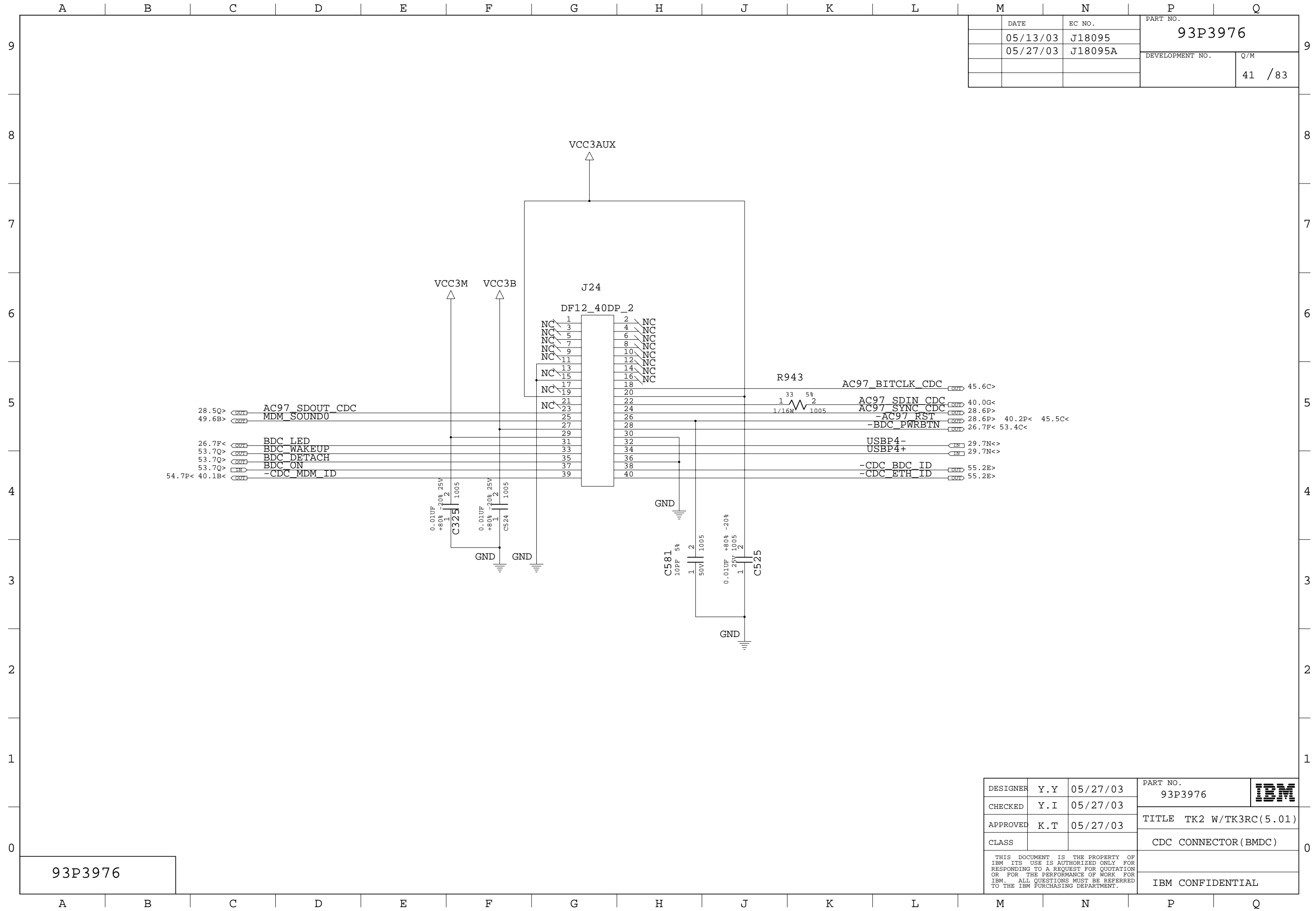


DESIGNER	Y.Y	05/27/03	PART NO.	93P3976	
CHECKED	Y.I	05/27/03	TITLE TK2 W/TK3RC(5.01)		
APPROVED	K.T	05/27/03	MINI PCI CONNECTOR		
CLASS			IBM CONFIDENTIAL		

THIS DOCUMENT IS THE PROPERTY OF IBM ITS USE IS AUTHORIZED ONLY FOR RESPONDING TO A REQUEST FOR QUOTATION OR FOR THE PERFORMANCE OF WORK FOR IBM. ALL QUESTIONS MUST BE REFERRED TO THE IBM PURCHASING DEPARTMENT.

93P3976

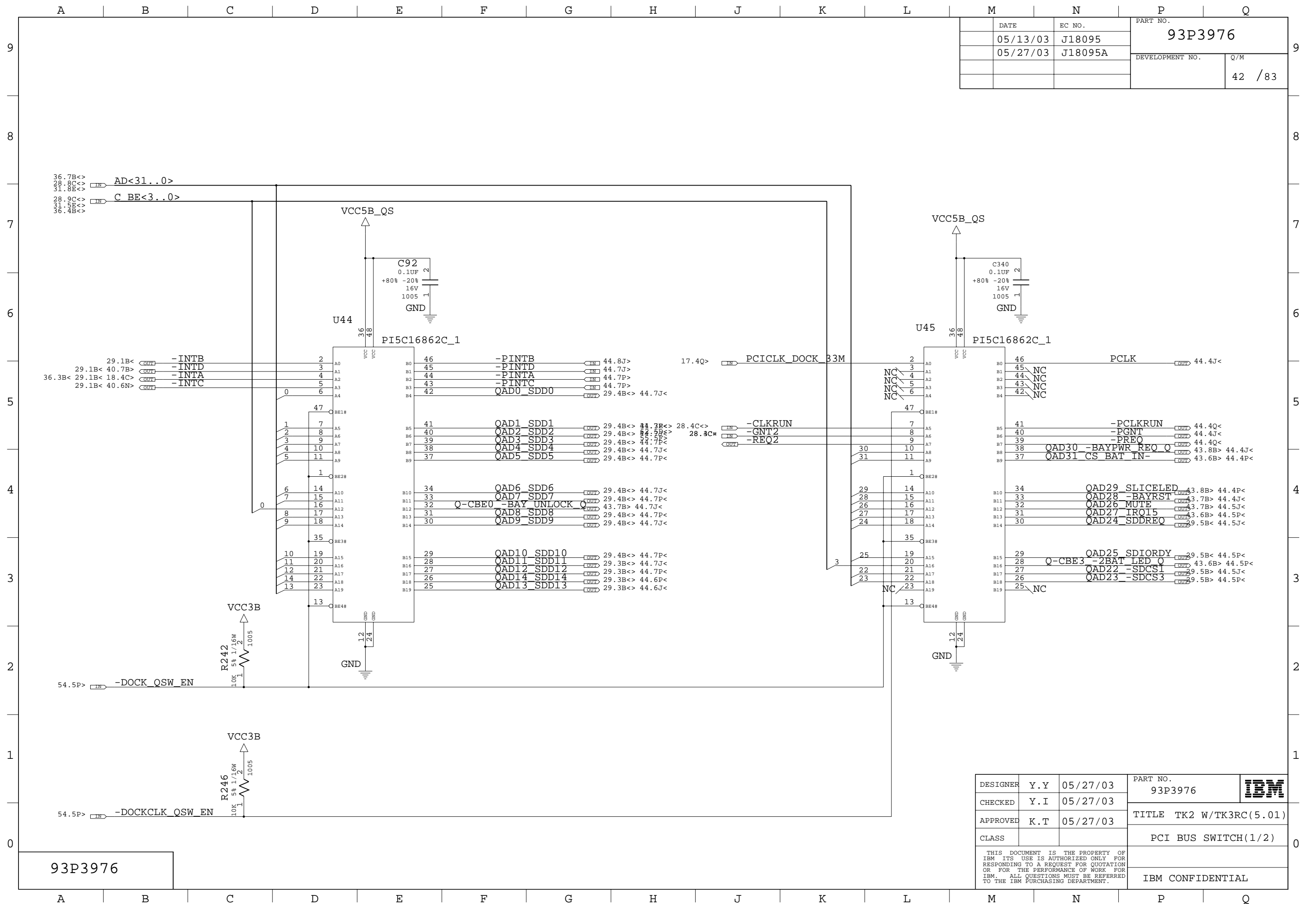




	DATE	EC NO.	PART NO.	
	05/13/03	J18095	93P3976	
	05/27/03	J18095A	DEVELOPMENT NO.	Q/M
				41 / 83

93P3976

DESIGNER	Y.Y	05/27/03	PART NO.	93P3976	<b>IBM</b>
CHECKED	Y.I	05/27/03	TITLE TK2 W/TK3RC(5.01)		
APPROVED	K.T	05/27/03	CDC CONNECTOR(BMDC)		
CLASS			THIS DOCUMENT IS THE PROPERTY OF IBM ITS USE IS AUTHORIZED ONLY FOR RESPONDING TO A REQUEST FOR QUOTATION OR FOR THE PERFORMANCE OF WORK FOR IBM. ALL QUESTIONS MUST BE REFERRED TO THE IBM PURCHASING DEPARTMENT.		
			IBM CONFIDENTIAL		

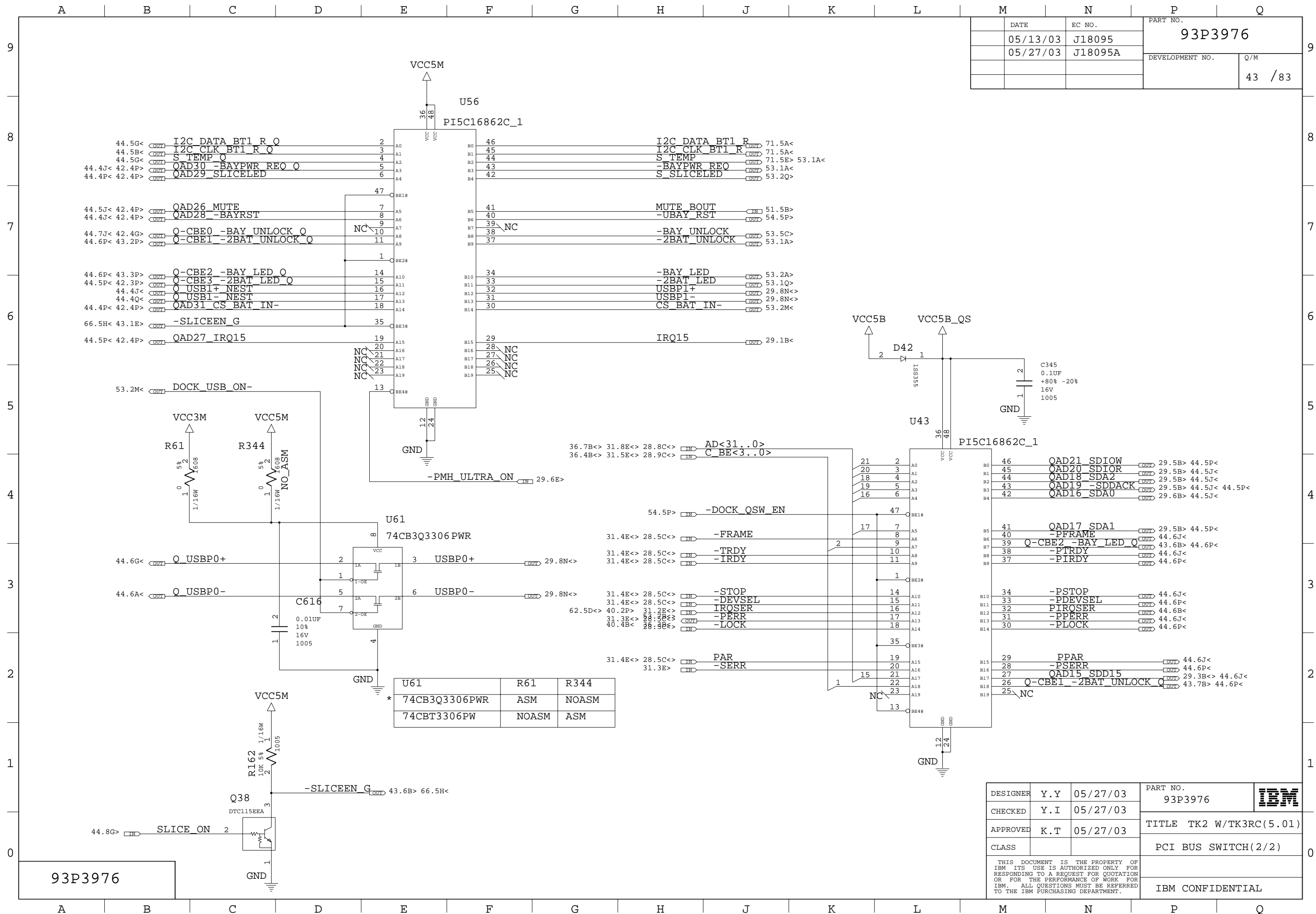


DATE	EC NO.	PART NO.	
05/13/03	J18095	93P3976	
05/27/03	J18095A	DEVELOPMENT NO.	Q/M
			42 / 83

93P3976

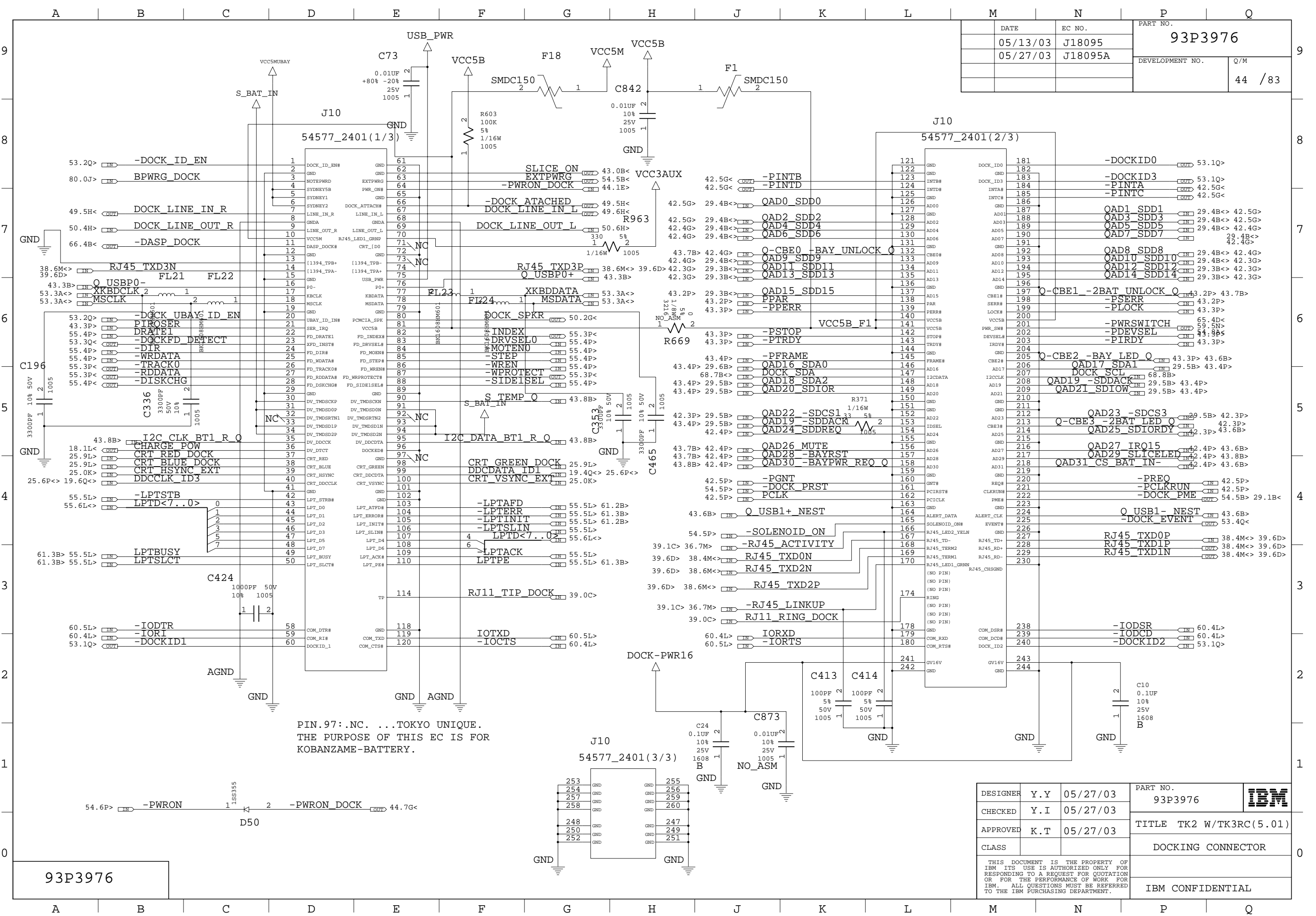
DESIGNER	Y.Y	05/27/03	PART NO.	93P3976	
CHECKED	Y.I	05/27/03	TITLE		
APPROVED	K.T	05/27/03	PCI BUS SWITCH(1/2)		
CLASS			IBM CONFIDENTIAL		

THIS DOCUMENT IS THE PROPERTY OF IBM ITS USE IS AUTHORIZED ONLY FOR RESPONDING TO A REQUEST FOR QUOTATION OR FOR THE PERFORMANCE OF WORK FOR IBM. ALL QUESTIONS MUST BE REFERRED TO THE IBM PURCHASING DEPARTMENT.



DATE	EC NO.	PART NO.	
05/13/03	J18095	93P3976	
05/27/03	J18095A	DEVELOPMENT NO.	Q/M
			43 / 83

THIS DOCUMENT IS THE PROPERTY OF IBM ITS USE IS AUTHORIZED ONLY FOR RESPONDING TO A REQUEST FOR QUOTATION OR FOR THE PERFORMANCE OF WORK FOR IBM. ALL QUESTIONS MUST BE REFERRED TO THE IBM PURCHASING DEPARTMENT.



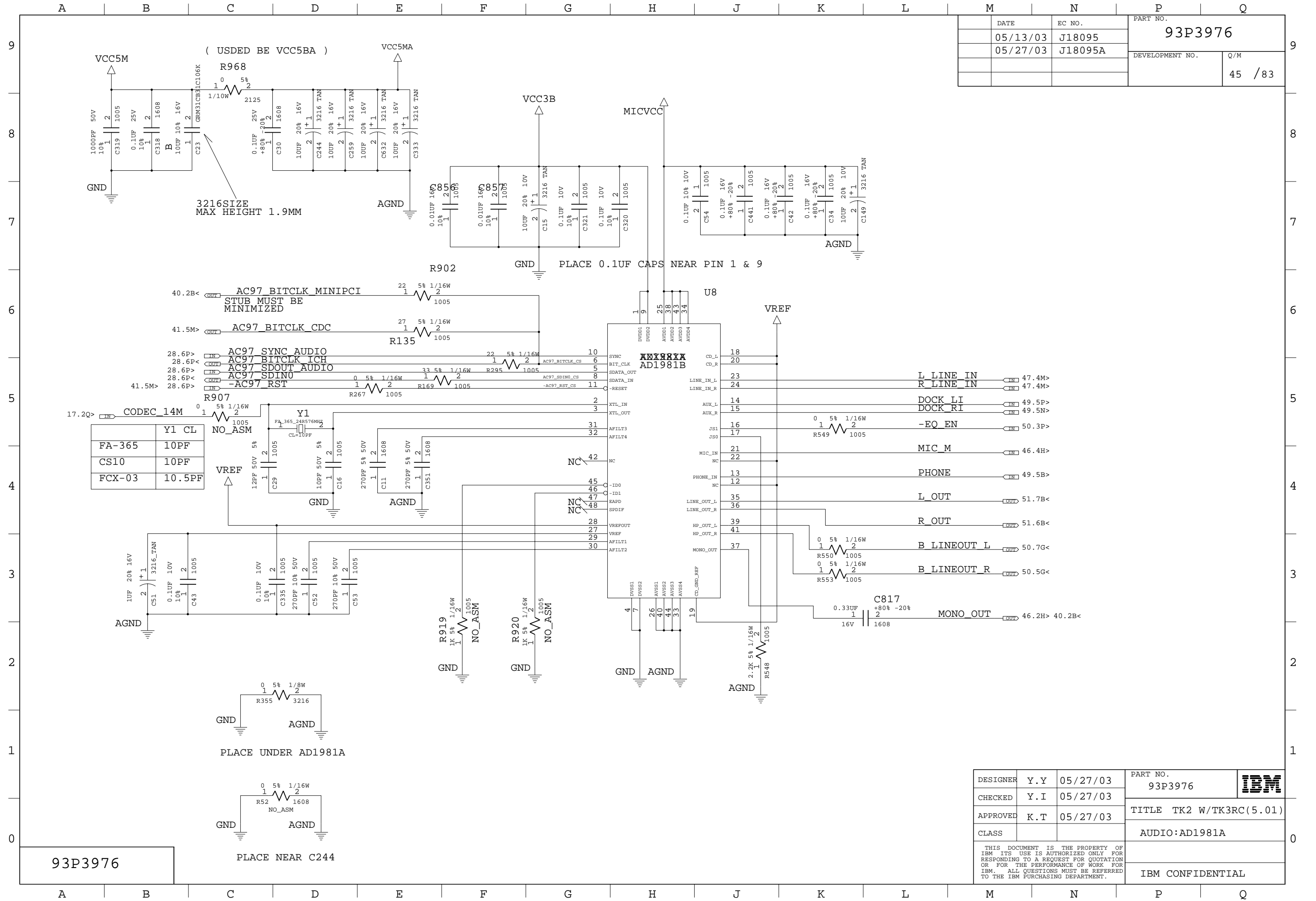
DATE	EC NO.	PART NO.	
05/13/03	J18095	93P3976	
05/27/03	J18095A	DEVELOPMENT NO.	Q/M
			44 / 83

PIN.97: .NC. ...TOKYO UNIQUE.  
 THE PURPOSE OF THIS EC IS FOR  
 KOBANZAME-BATTERY.

DESIGNER	Y.Y	05/27/03	PART NO.	93P3976	<b>IBM</b>
CHECKED	Y.I	05/27/03	TITLE TK2 W/TK3RC(5.01)		
APPROVED	K.T	05/27/03	DOCKING CONNECTOR		
CLASS			DOCKING CONNECTOR		
THIS DOCUMENT IS THE PROPERTY OF IBM ITS USE IS AUTHORIZED ONLY FOR RESPONDING TO A REQUEST FOR QUOTATION OR FOR THE PERFORMANCE OF WORK FOR IBM. ALL QUESTIONS MUST BE REFERRED TO THE IBM PURCHASING DEPARTMENT.					IBM CONFIDENTIAL

93P3976

	DATE	EC NO.	PART NO.	
	05/13/03	J18095	93P3976	
	05/27/03	J18095A	DEVELOPMENT NO.	Q/M
				45 /83

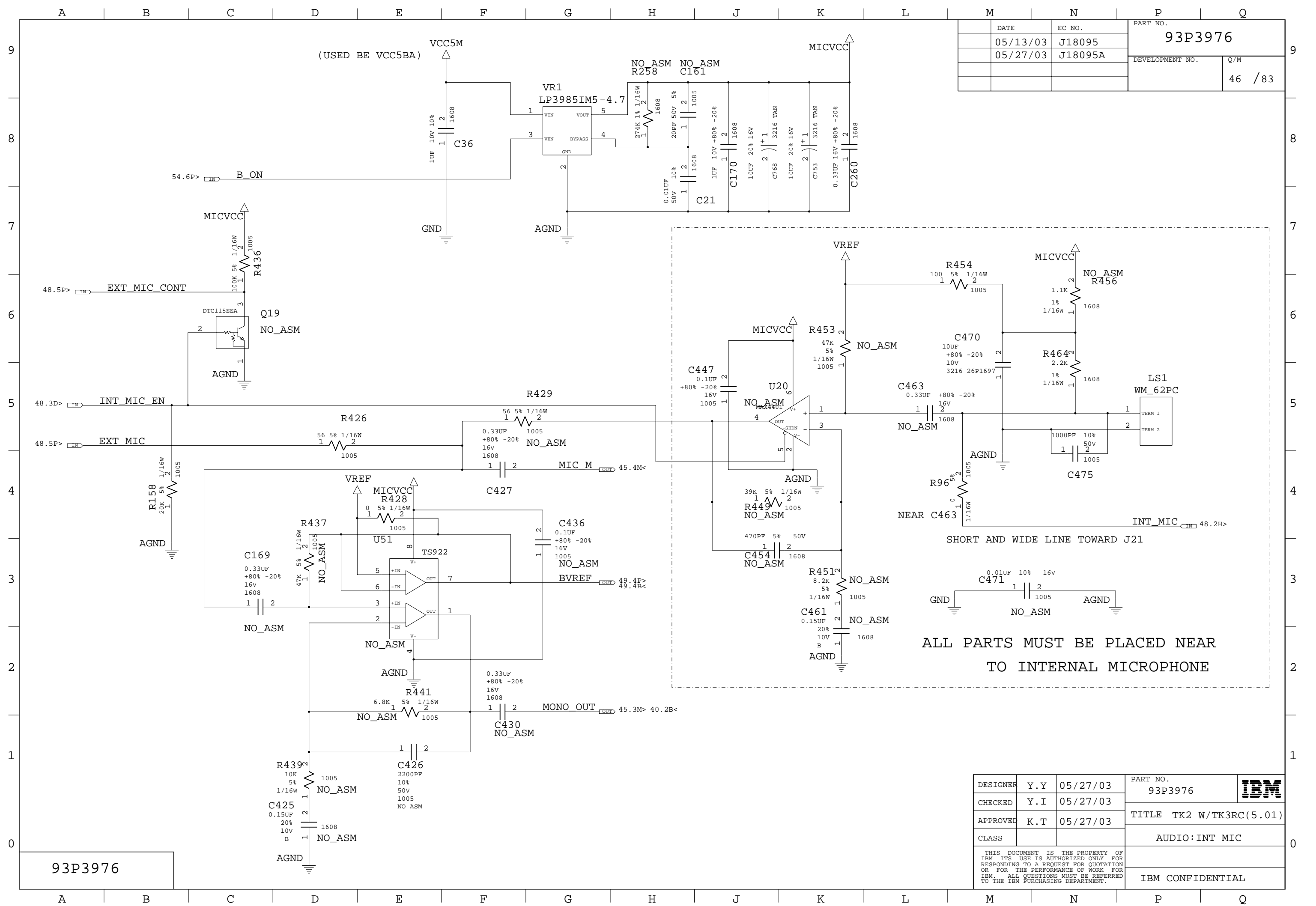


Y1 CL	Y1 CL
FA-365	10PF
CS10	10PF
FCX-03	10.5PF

DESIGNER	Y.Y	05/27/03	PART NO.	93P3976	
CHECKED	Y.I	05/27/03	TITLE TK2 W/TK3RC(5.01)		
APPROVED	K.T	05/27/03	AUDIO:AD1981A		
CLASS			THIS DOCUMENT IS THE PROPERTY OF IBM ITS USE IS AUTHORIZED ONLY FOR RESPONDING TO A REQUEST FOR QUOTATION OR FOR THE PERFORMANCE OF WORK FOR IBM. ALL QUESTIONS MUST BE REFERRED TO THE IBM PURCHASING DEPARTMENT.		IBM CONFIDENTIAL

93P3976

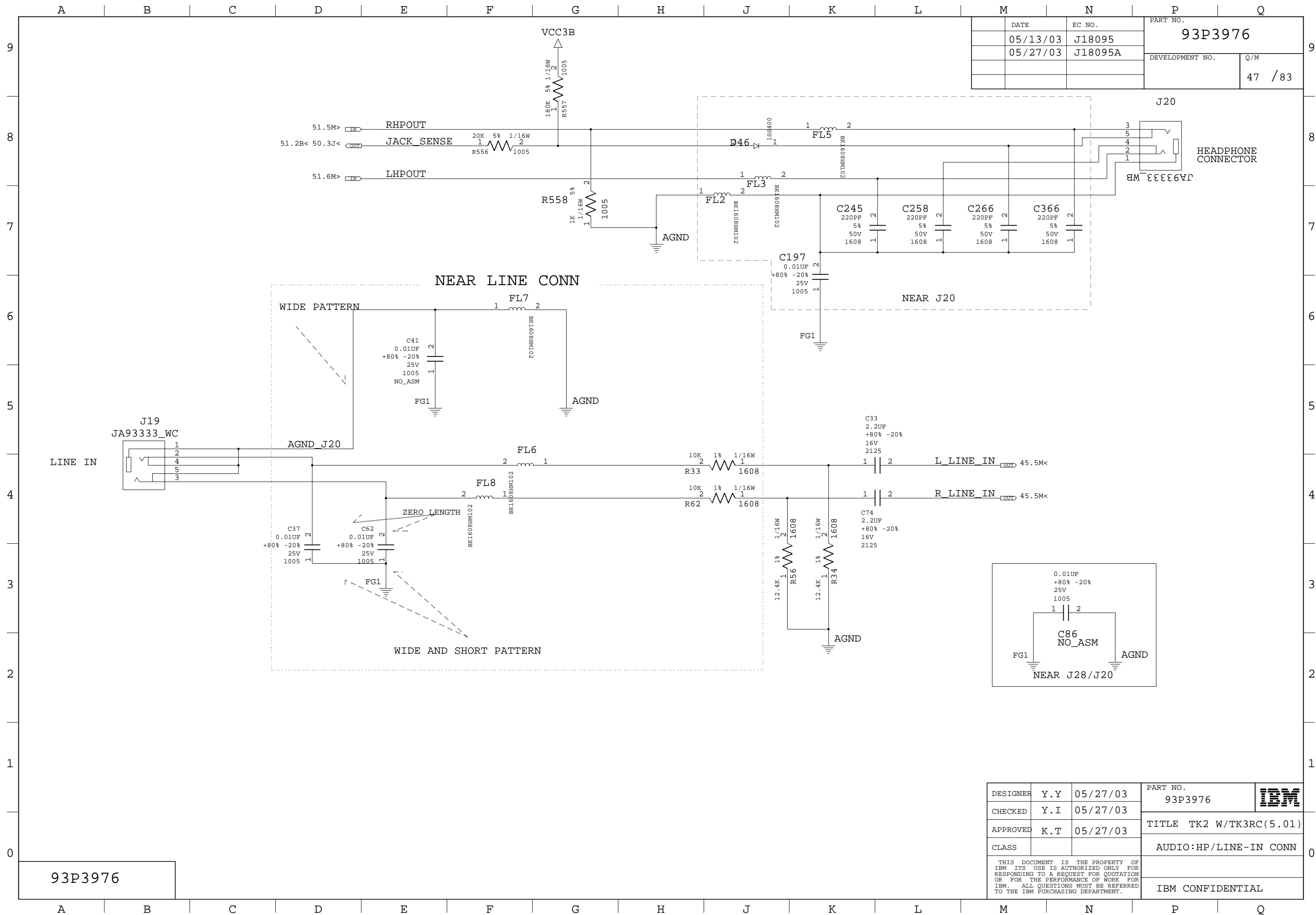
PLACE NEAR C244



DATE	EC NO.	PART NO.	
05/13/03	J18095	93P3976	
05/27/03	J18095A	DEVELOPMENT NO.	Q/M
			46 / 83

93P3976

DESIGNER	Y.Y	05/27/03	PART NO.	93P3976	<b>IBM</b>
CHECKED	Y.I	05/27/03	TITLE TK2 W/TK3RC(5.01)		
APPROVED	K.T	05/27/03	AUDIO:INT MIC		
CLASS					
THIS DOCUMENT IS THE PROPERTY OF IBM ITS USE IS AUTHORIZED ONLY FOR RESPONDING TO A REQUEST FOR QUOTATION OR FOR THE PERFORMANCE OF WORK FOR IBM. ALL QUESTIONS MUST BE REFERRED TO THE IBM PURCHASING DEPARTMENT.					IBM CONFIDENTIAL

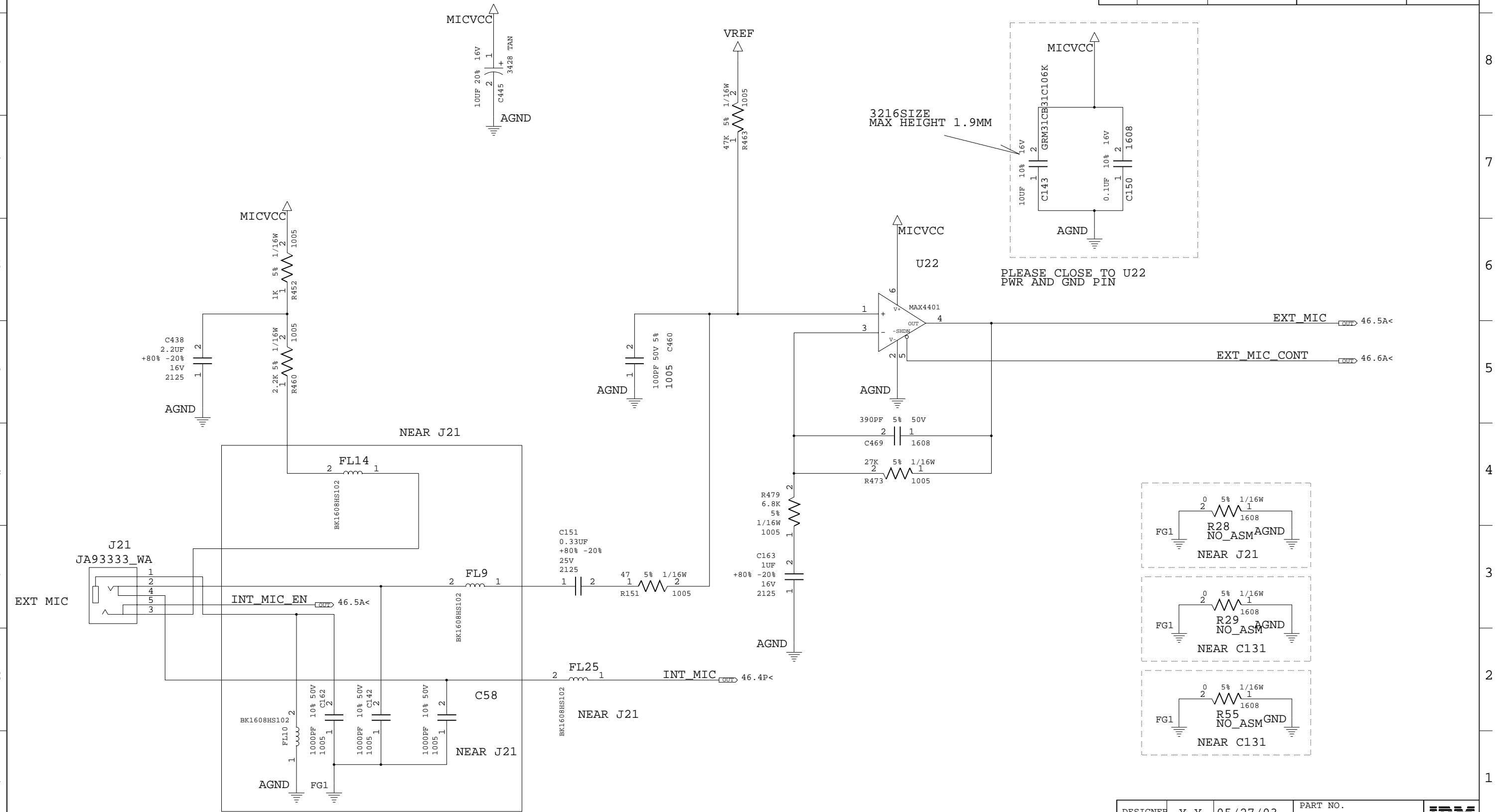


DATE	EC NO.	PART NO.	
05/13/03	J18095	93P3976	
05/27/03	J18095A	DEVELOPMENT NO.	Q/M
			47 / 83

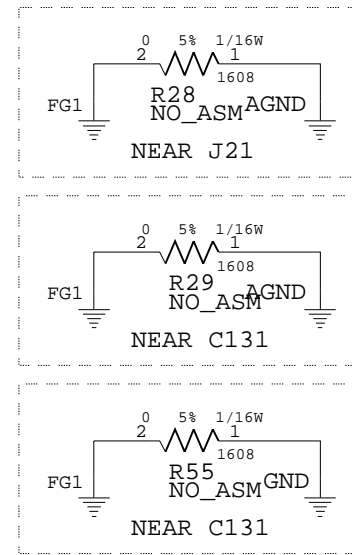
93P3976

DESIGNER	Y. Y	05/27/03	PART NO.	93P3976	<b>IBM</b>
CHECKED	Y. I	05/27/03	TITLE		
APPROVED	K. T	05/27/03	CLASS	AUDIO:HP/LINE-IN CONN	
THIS DOCUMENT IS THE PROPERTY OF IBM ITS USE IS AUTHORIZED ONLY FOR RESPONDING TO A REQUEST FOR QUOTATION OR FOR THE PERFORMANCE OF WORK FOR IBM. ALL QUESTIONS MUST BE REFERRED TO THE IBM PURCHASING DEPARTMENT.				IBM CONFIDENTIAL	

DATE	EC NO.	PART NO.	
05/13/03	J18095	93P3976	
05/27/03	J18095A	DEVELOPMENT NO.	Q/M
			48 / 83



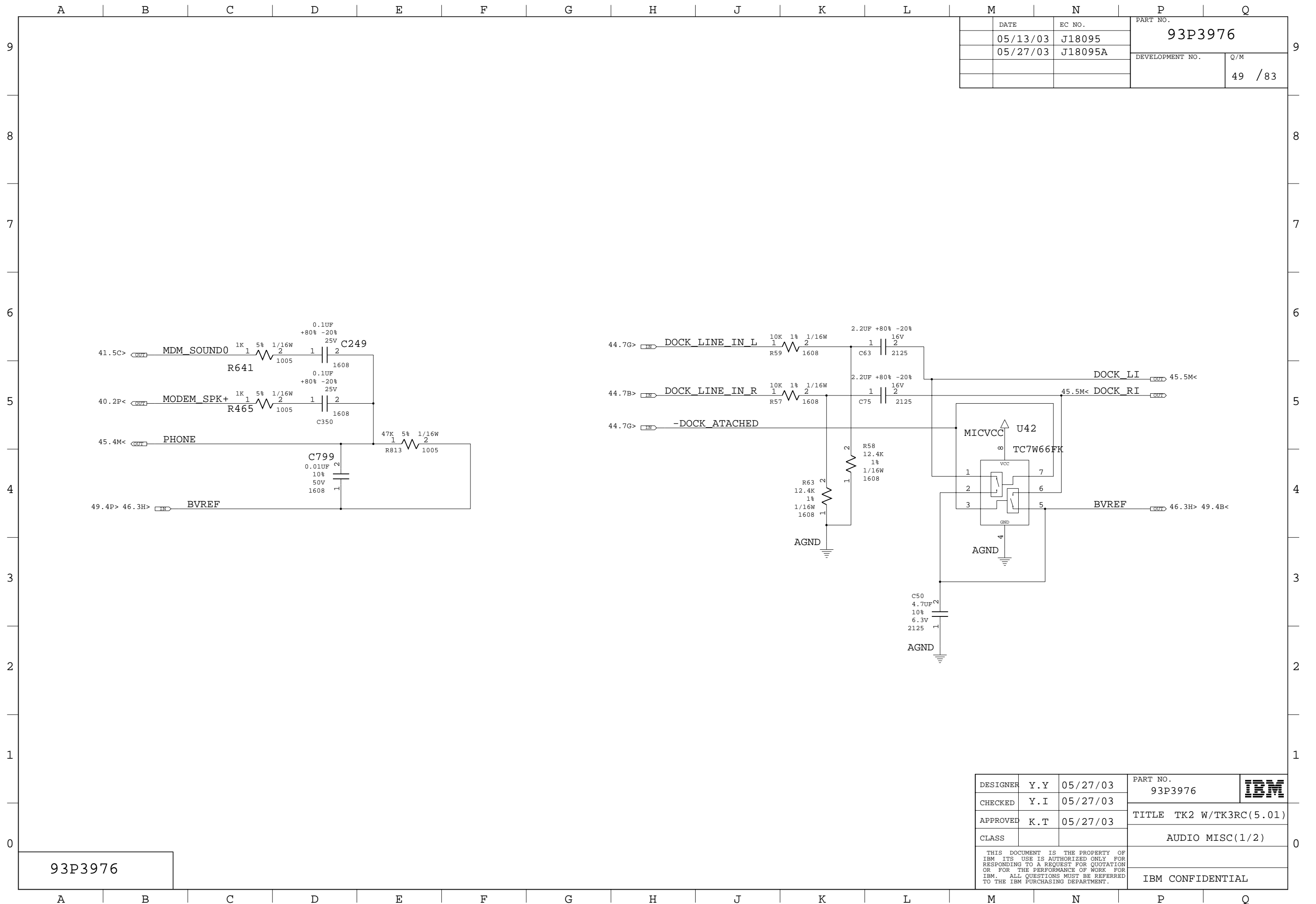
\* J5-2 TO LMV822-3 GUARDING WITH AGND  
 \* J5-3 TO R57 GUARDING WITH AGND



DESIGNER	Y.Y	05/27/03	PART NO.	93P3976	<b>IBM</b>
CHECKED	Y.I	05/27/03	TITLE		
APPROVED	K.T	05/27/03	AUDIO:EXT MIC		
CLASS			THIS DOCUMENT IS THE PROPERTY OF IBM ITS USE IS AUTHORIZED ONLY FOR RESPONDING TO A REQUEST FOR QUOTATION OR FOR THE PERFORMANCE OF WORK FOR IBM. ALL QUESTIONS MUST BE REFERRED TO THE IBM PURCHASING DEPARTMENT.		
				IBM CONFIDENTIAL	

93P3976

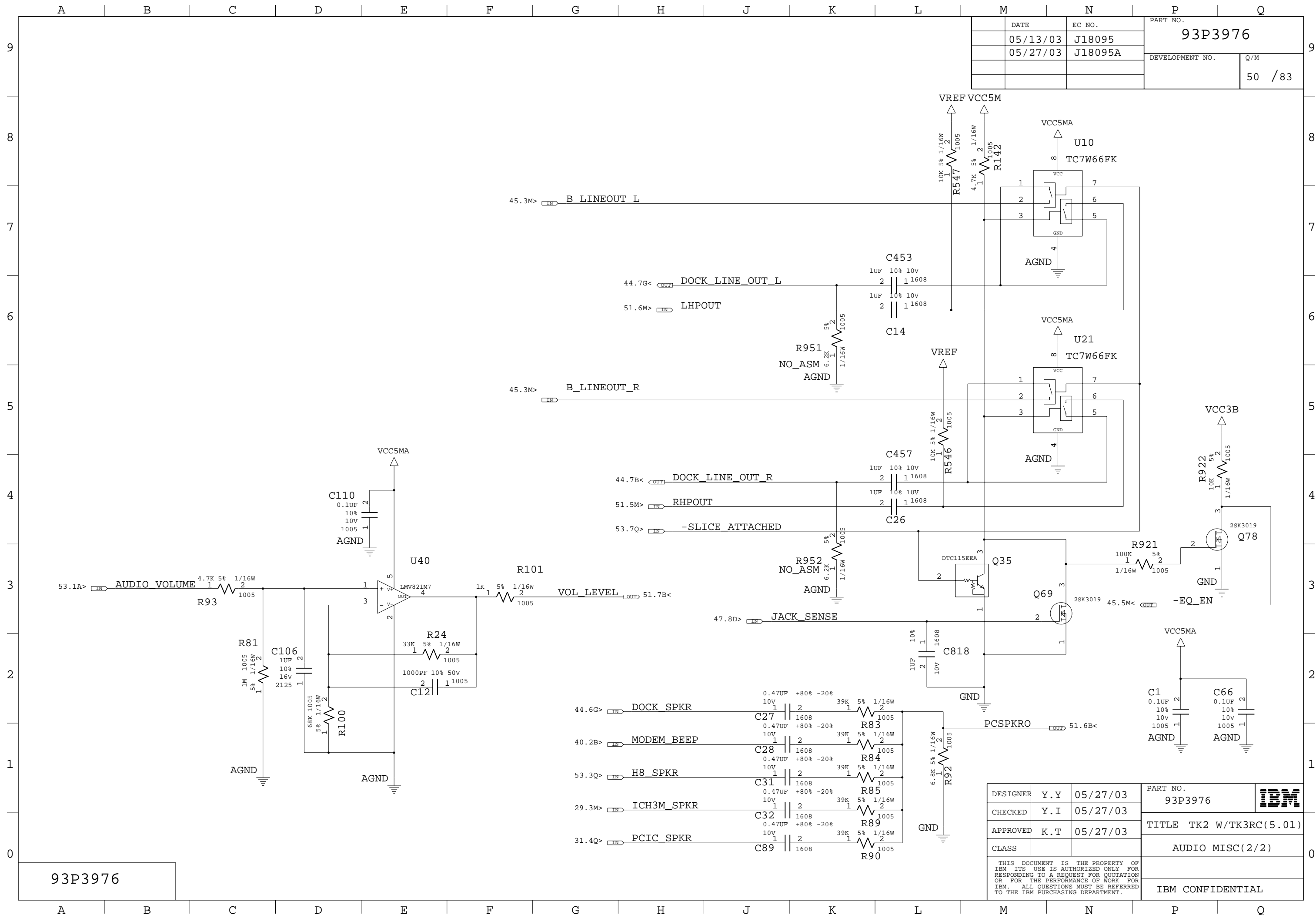




DATE		EC NO.		PART NO.	
05/13/03		J18095		93P3976	
05/27/03		J18095A		DEVELOPMENT NO.	
				Q/M	
				49 /83	

93P3976

DESIGNER	Y. Y	05/27/03	PART NO.	93P3976	<b>IBM</b>
CHECKED	Y. I	05/27/03	TITLE		
APPROVED	K. T	05/27/03	AUDIO MISC(1/2)		
CLASS					
THIS DOCUMENT IS THE PROPERTY OF IBM ITS USE IS AUTHORIZED ONLY FOR RESPONDING TO A REQUEST FOR QUOTATION OR FOR THE PERFORMANCE OF WORK FOR IBM. ALL QUESTIONS MUST BE REFERRED TO THE IBM PURCHASING DEPARTMENT.					IBM CONFIDENTIAL

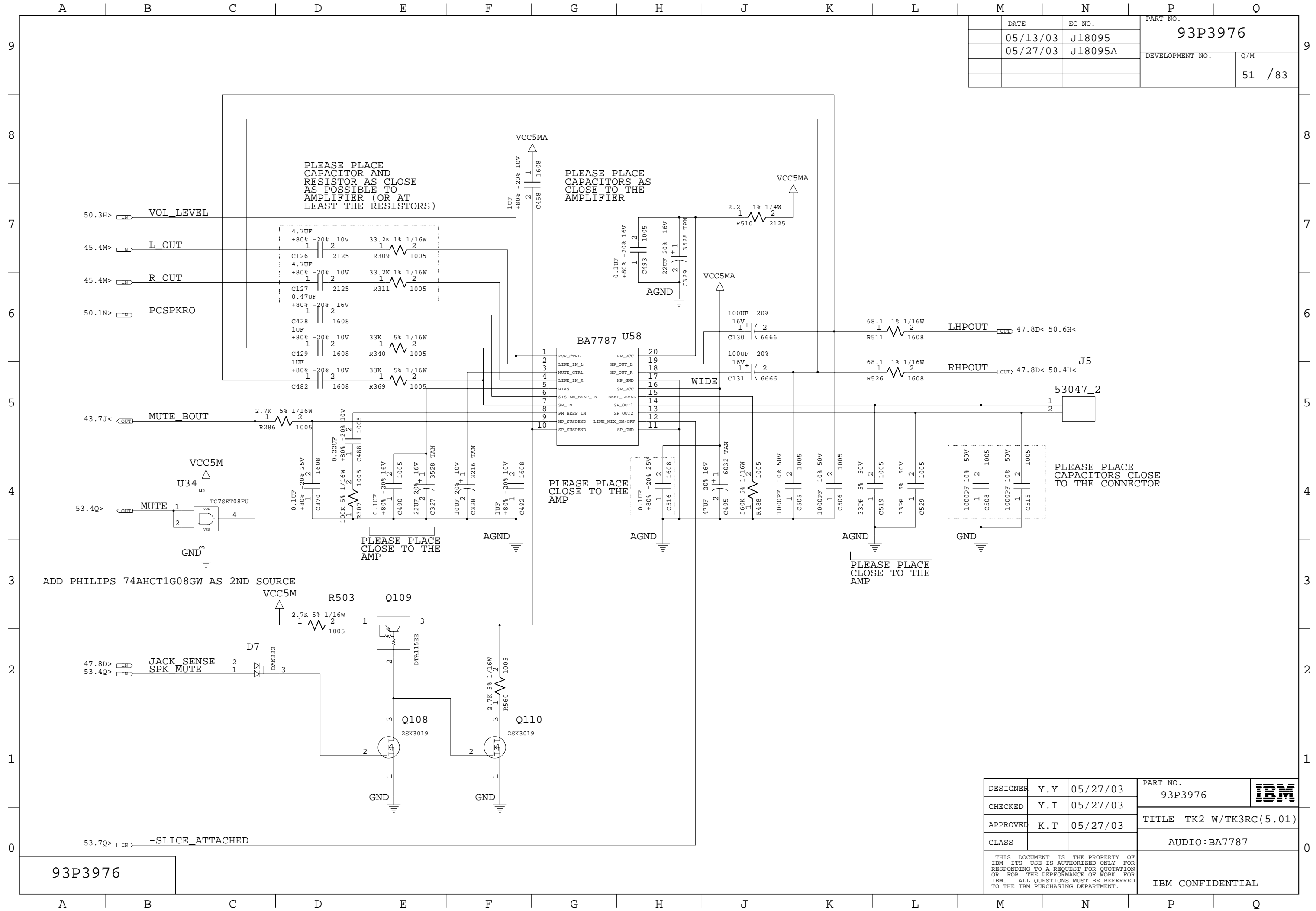


DATE	EC NO.	PART NO.	
05/13/03	J18095	93P3976	
05/27/03	J18095A	DEVELOPMENT NO.	Q/M
			50 / 83

93P3976

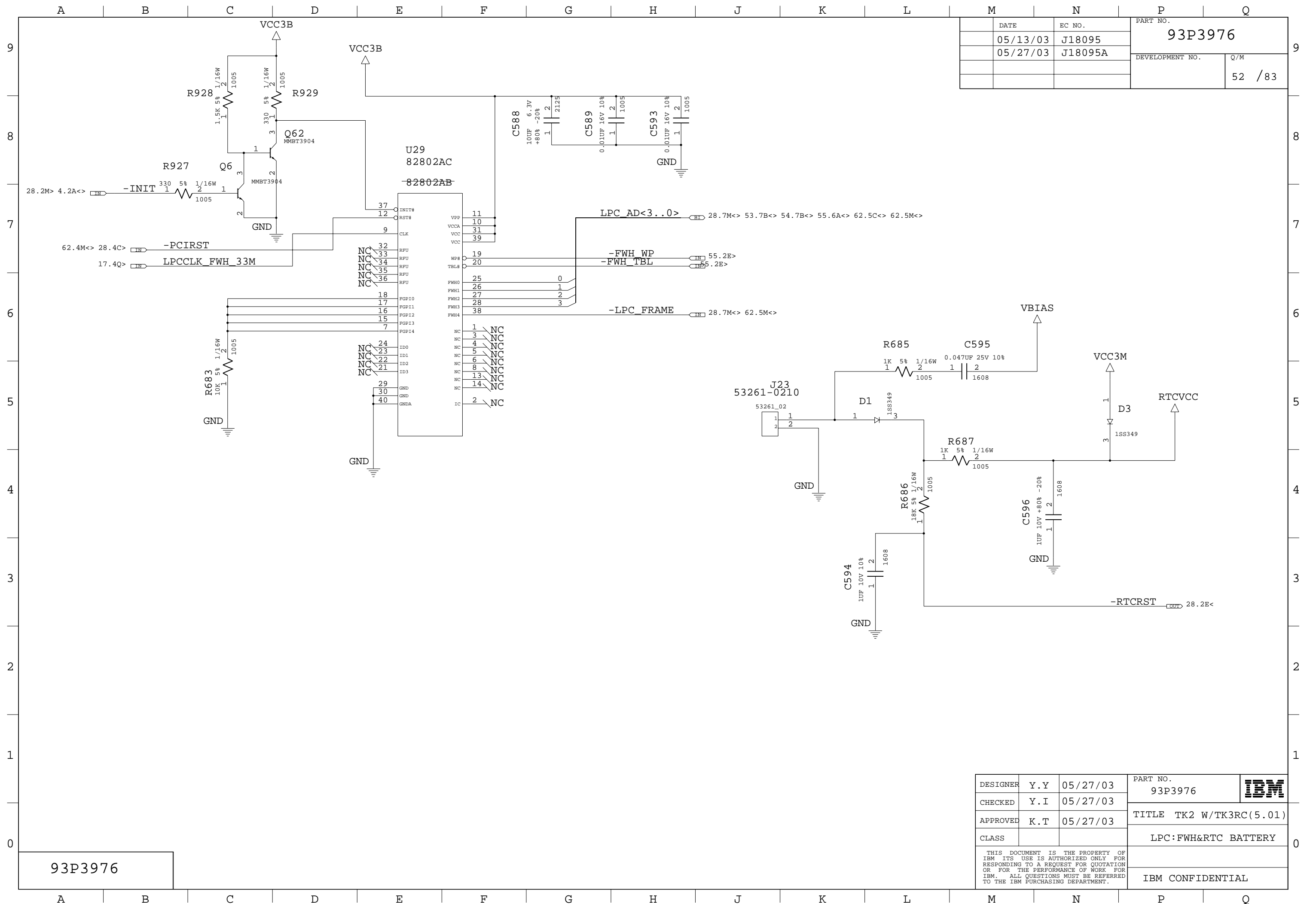
DESIGNER	Y. Y	05/27/03	PART NO.	93P3976	<b>IBM</b>
CHECKED	Y. I	05/27/03	TITLE TK2 W/TK3RC(5.01)		
APPROVED	K. T	05/27/03	AUDIO MISC(2/2)		
CLASS					
THIS DOCUMENT IS THE PROPERTY OF IBM ITS USE IS AUTHORIZED ONLY FOR RESPONDING TO A REQUEST FOR QUOTATION OR FOR THE PERFORMANCE OF WORK FOR IBM. ALL QUESTIONS MUST BE REFERRED TO THE IBM PURCHASING DEPARTMENT.					IBM CONFIDENTIAL

	DATE	EC NO.	PART NO.	
	05/13/03	J18095	93P3976	
	05/27/03	J18095A	DEVELOPMENT NO.	Q/M
				51 / 83



93P3976

DESIGNER	Y. Y	05/27/03	PART NO.	93P3976	
CHECKED	Y. I	05/27/03	TITLE		
APPROVED	K. T	05/27/03	CLASS	AUDIO:BA7787	
THIS DOCUMENT IS THE PROPERTY OF IBM ITS USE IS AUTHORIZED ONLY FOR RESPONDING TO A REQUEST FOR QUOTATION OR FOR THE PERFORMANCE OF WORK FOR IBM. ALL QUESTIONS MUST BE REFERRED TO THE IBM PURCHASING DEPARTMENT.				IBM CONFIDENTIAL	

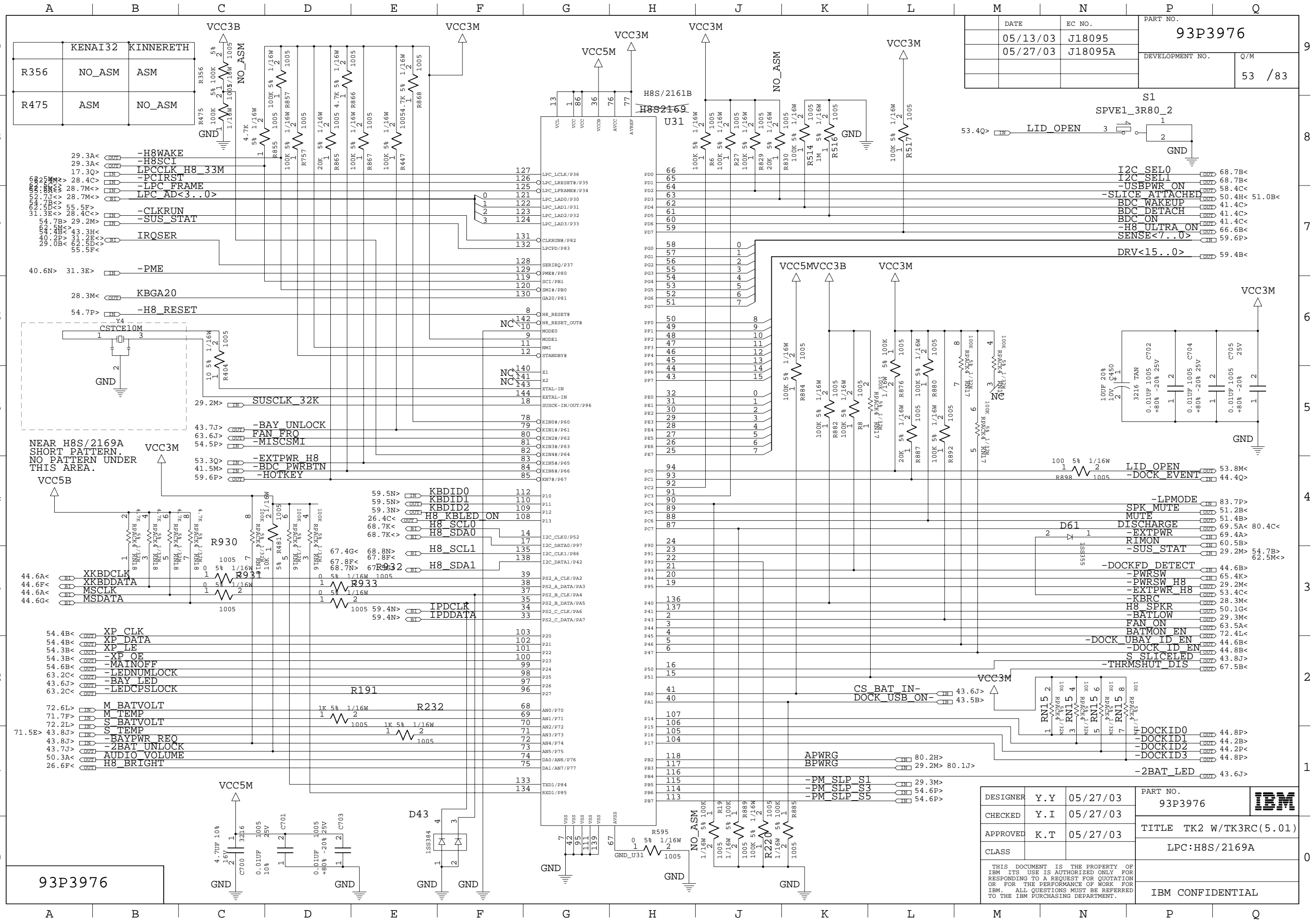


DATE	EC NO.	PART NO.	
05/13/03	J18095	93P3976	
05/27/03	J18095A	DEVELOPMENT NO.	Q/M
			52 / 83

93P3976

DESIGNER	Y. Y	05/27/03	PART NO.	93P3976	<b>IBM</b>
CHECKED	Y. I	05/27/03	TITLE		
APPROVED	K. T	05/27/03	CLASS	LPC:FHW&RTC BATTERY	
THIS DOCUMENT IS THE PROPERTY OF IBM ITS USE IS AUTHORIZED ONLY FOR RESPONDING TO A REQUEST FOR QUOTATION OR FOR THE PERFORMANCE OF WORK FOR IBM. ALL QUESTIONS MUST BE REFERRED TO THE IBM PURCHASING DEPARTMENT.				IBM CONFIDENTIAL	

DATE	EC NO.	PART NO.
05/13/03	J18095	93P3976
05/27/03	J18095A	DEVELOPMENT NO.
		Q/M
		53 / 83



NEAR H8S/2169A  
SHORT PATTERN.  
NO PATTERN UNDER  
THIS AREA.

93P3976

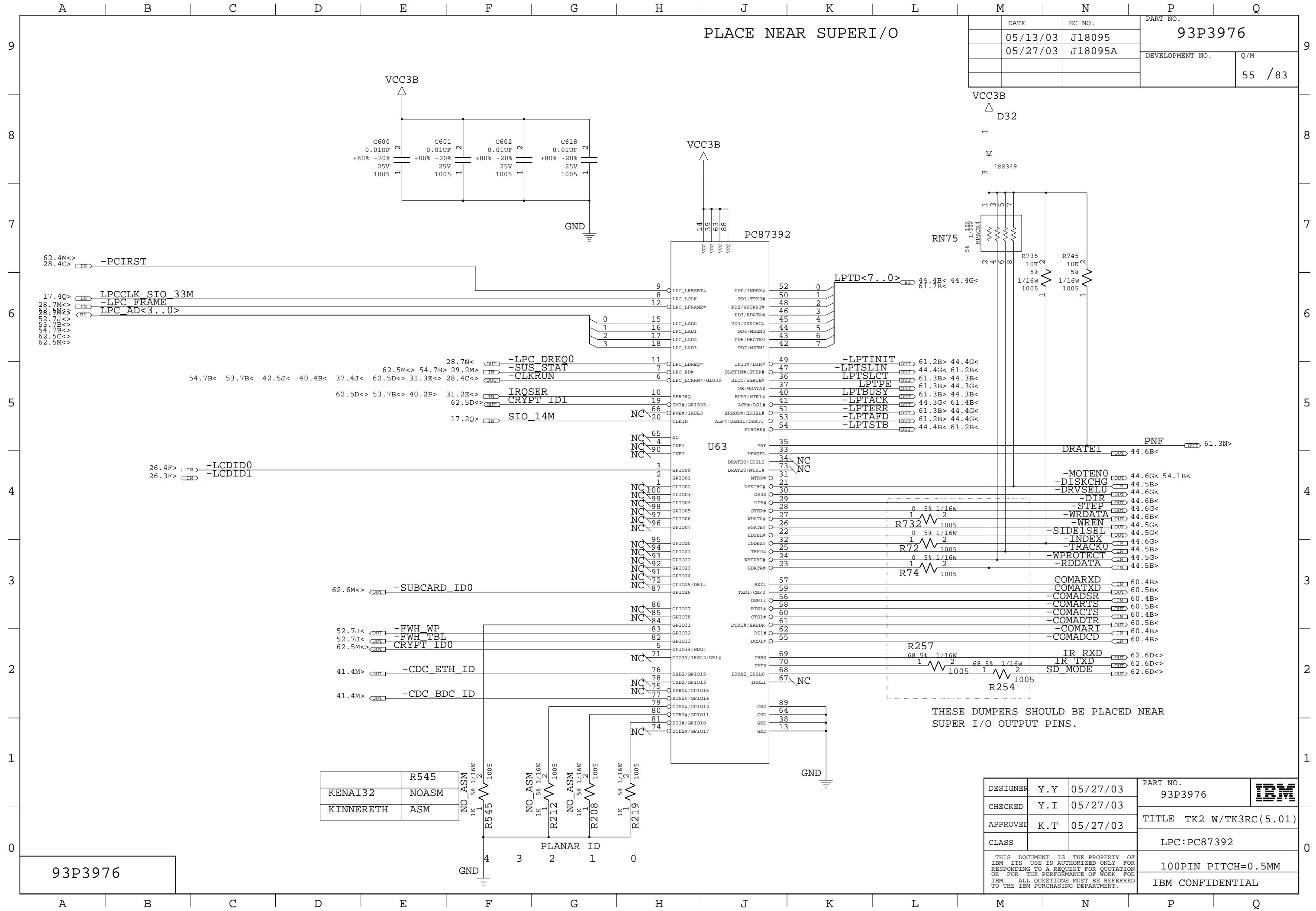
DESIGNER	Y.Y	05/27/03	PART NO.	93P3976	
CHECKED	Y.I	05/27/03	TITLE	TK2 W/TK3RC(5.01)	
APPROVED	K.T	05/27/03		LPC:H8S/2169A	
CLASS				IBM CONFIDENTIAL	

THIS DOCUMENT IS THE PROPERTY OF IBM ITS USE IS AUTHORIZED ONLY FOR RESPONDING TO A REQUEST FOR QUOTATION OR FOR THE PERFORMANCE OF WORK FOR IBM. ALL QUESTIONS MUST BE REFERRED TO THE IBM PURCHASING DEPARTMENT.



PLACE NEAR SUPER I/O

DATE	EC NO.	PART NO.	
05/13/03	J18095	93P3976	
05/27/03	J18095A	DEVELOPMENT NO.	Q/M
			55 / 83

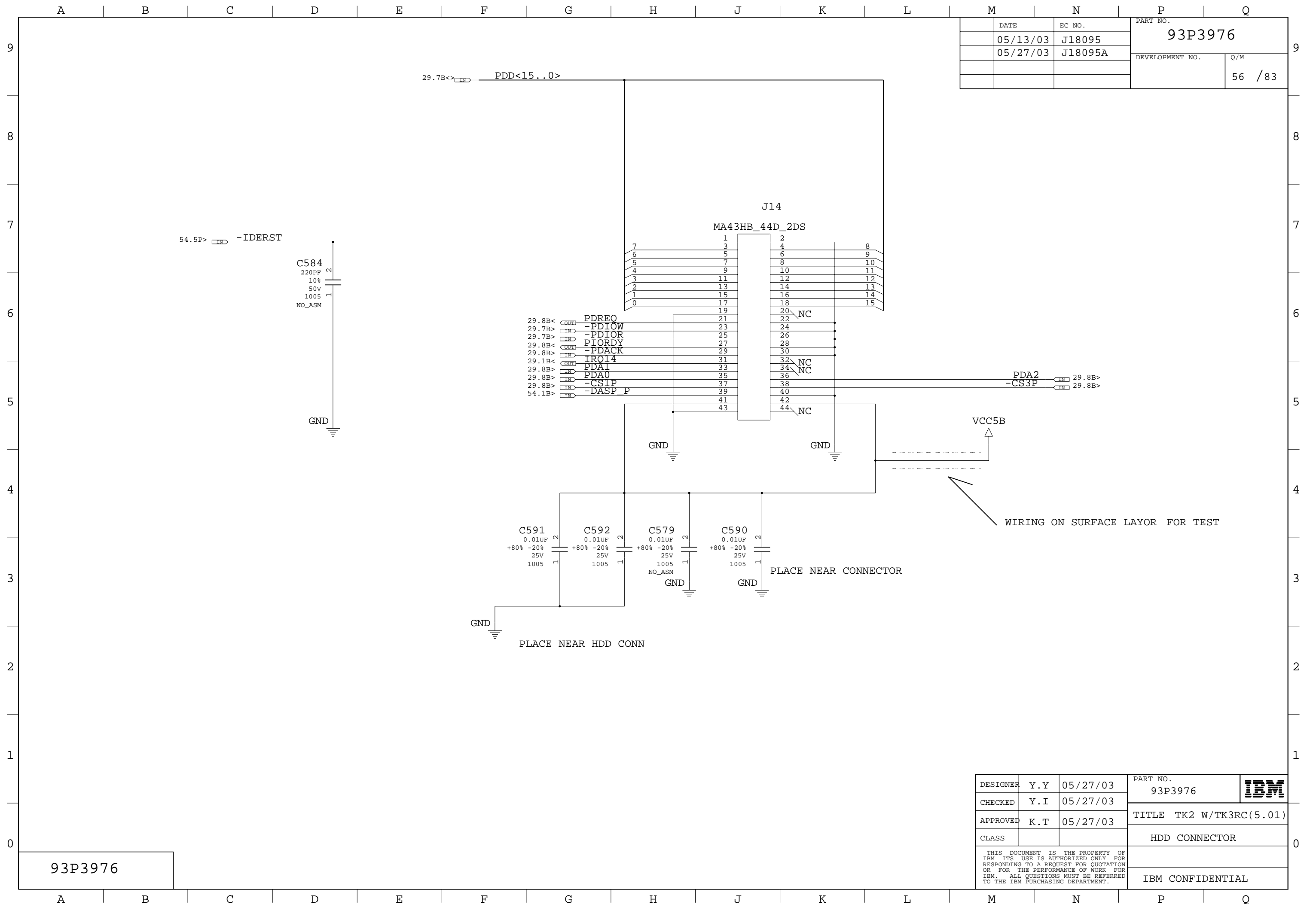


KENAI32	NOASM	R545	NO_ASM
KINNERETH	ASM	R212	NO_ASM
		R208	NO_ASM
		R219	NO_ASM

THESE DUMPERS SHOULD BE PLACED NEAR SUPER I/O OUTPUT PINS.

93P3976

DESIGNER	Y.Y	05/27/03	PART NO.	93P3976	<b>IBM</b>
CHECKED	Y.I	05/27/03	TITLE TK2 W/TK3RC(5.01)		
APPROVED	K.T	05/27/03	LPC:PC87392		
CLASS			100PIN PITCH=0.5MM		
THIS DOCUMENT IS THE PROPERTY OF IBM ITS USE IS AUTHORIZED ONLY FOR RESPONDING TO A REQUEST FOR QUOTATION OR FOR THE PERFORMANCE OF WORK FOR IBM. ALL QUESTIONS MUST BE REFERRED TO THE IBM PURCHASING DEPARTMENT.					IBM CONFIDENTIAL



DATE	EC NO.	PART NO.	
05/13/03	J18095	93P3976	
05/27/03	J18095A	DEVELOPMENT NO.	Q/M
			56 /83

93P3976

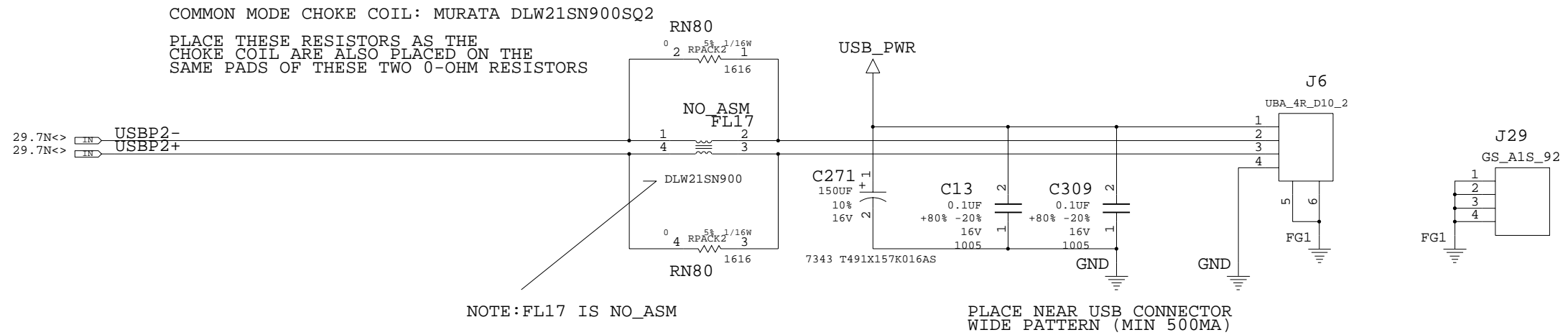
DESIGNER	Y.Y	05/27/03	PART NO.	93P3976	<b>IBM</b>
CHECKED	Y.I	05/27/03	TITLE		
APPROVED	K.T	05/27/03	CLASS	HDD CONNECTOR	
THIS DOCUMENT IS THE PROPERTY OF IBM ITS USE IS AUTHORIZED ONLY FOR RESPONDING TO A REQUEST FOR QUOTATION OR FOR THE PERFORMANCE OF WORK FOR IBM. ALL QUESTIONS MUST BE REFERRED TO THE IBM PURCHASING DEPARTMENT.				IBM CONFIDENTIAL	



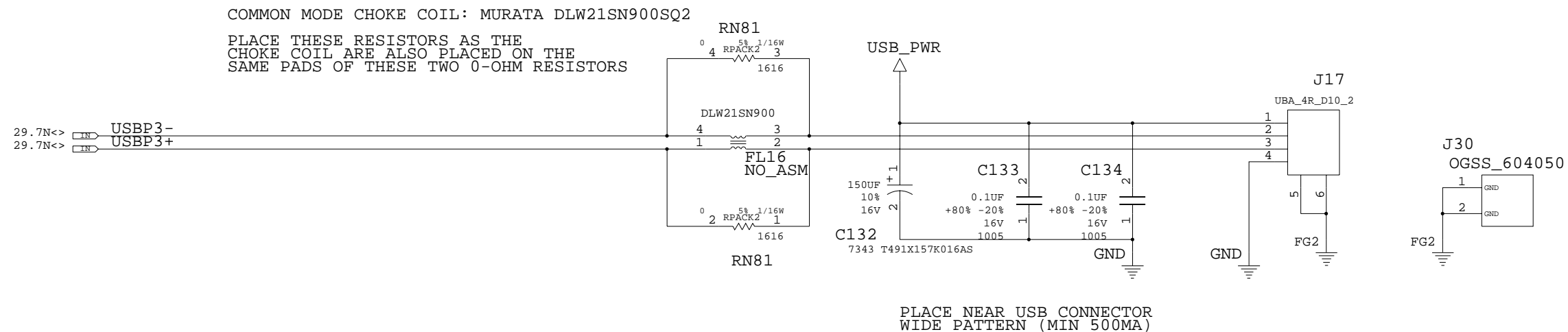
DATE	EC NO.	PART NO.	
05/13/03	J18095	93P3976	
05/27/03	J18095A	DEVELOPMENT NO.	Q/M
			57 / 83

9  
8  
7  
6  
5  
4  
3  
2  
1  
0

9  
8  
7  
6  
5  
4  
3  
2  
1  
0

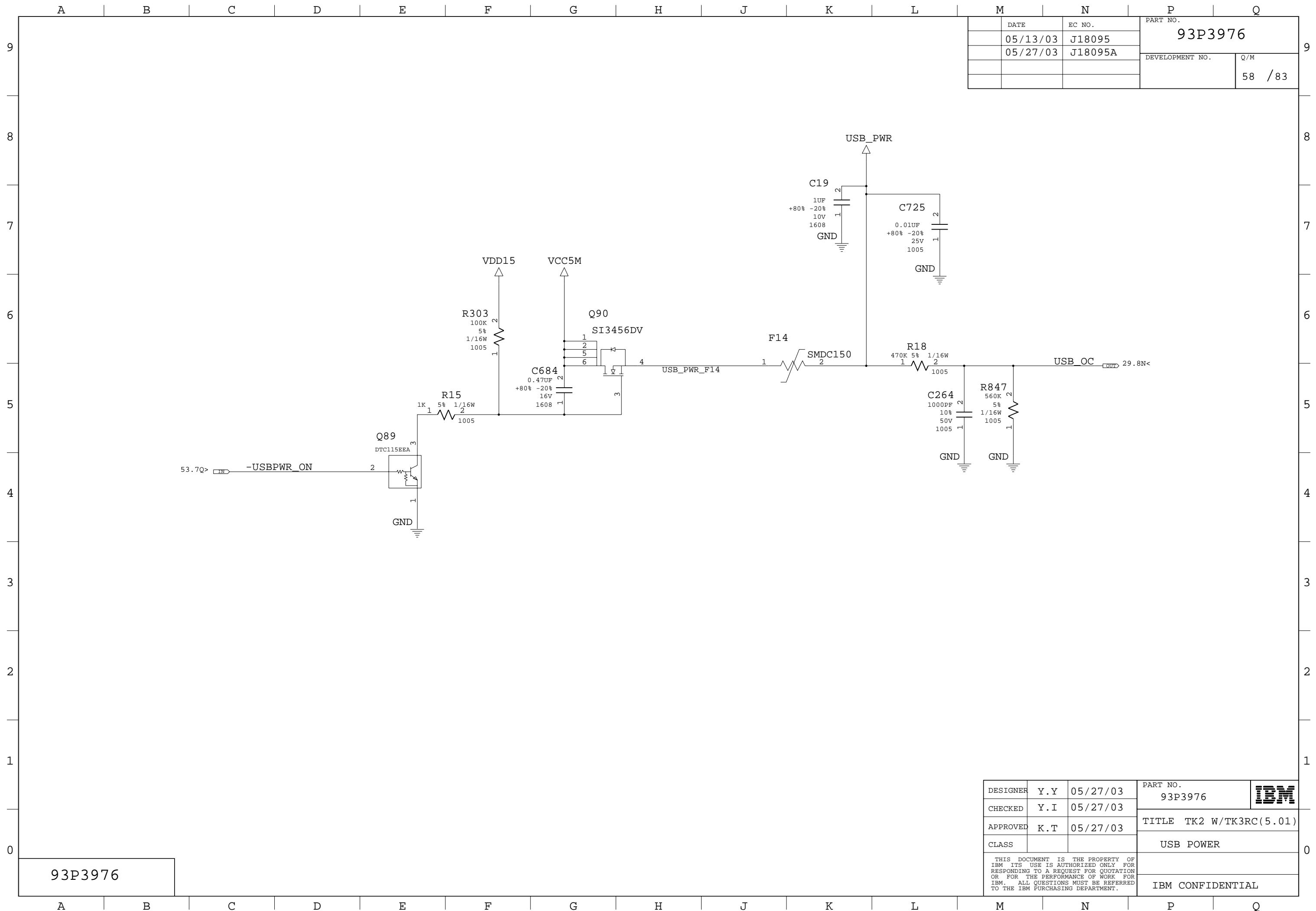


USB CONNECTOR SHIELD MUST BE CONNECTED TO USBX\_FG



93P3976

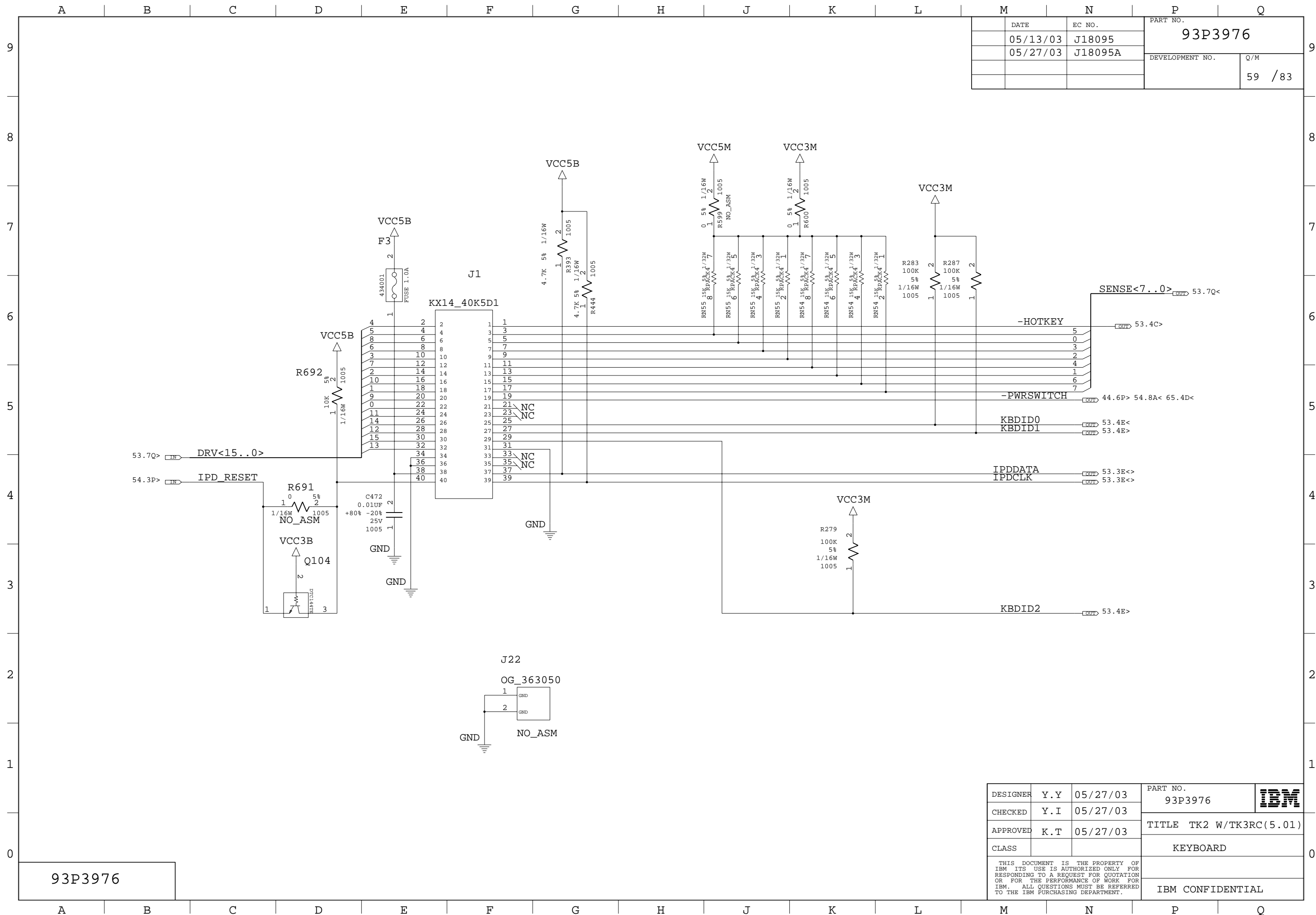
DESIGNER	Y. Y	05/27/03	PART NO.	93P3976	
CHECKED	Y. I	05/27/03	TITLE		
APPROVED	K. T	05/27/03	USB CONNECTOR		
CLASS			THIS DOCUMENT IS THE PROPERTY OF IBM ITS USE IS AUTHORIZED ONLY FOR RESPONDING TO A REQUEST FOR QUOTATION OR FOR THE PERFORMANCE OF WORK FOR IBM. ALL QUESTIONS MUST BE REFERRED TO THE IBM PURCHASING DEPARTMENT.		
			IBM CONFIDENTIAL		



	DATE	EC NO.	PART NO.	
	05/13/03	J18095	93P3976	
	05/27/03	J18095A	DEVELOPMENT NO.	Q/M
				58 /83

93P3976

DESIGNER	Y.Y	05/27/03	PART NO.	93P3976	
CHECKED	Y.I	05/27/03			
APPROVED	K.T	05/27/03	TITLE TK2 W/TK3RC(5.01)		
CLASS			USB POWER		
THIS DOCUMENT IS THE PROPERTY OF IBM ITS USE IS AUTHORIZED ONLY FOR RESPONDING TO A REQUEST FOR QUOTATION OR FOR THE PERFORMANCE OF WORK FOR IBM. ALL QUESTIONS MUST BE REFERRED TO THE IBM PURCHASING DEPARTMENT.					IBM CONFIDENTIAL

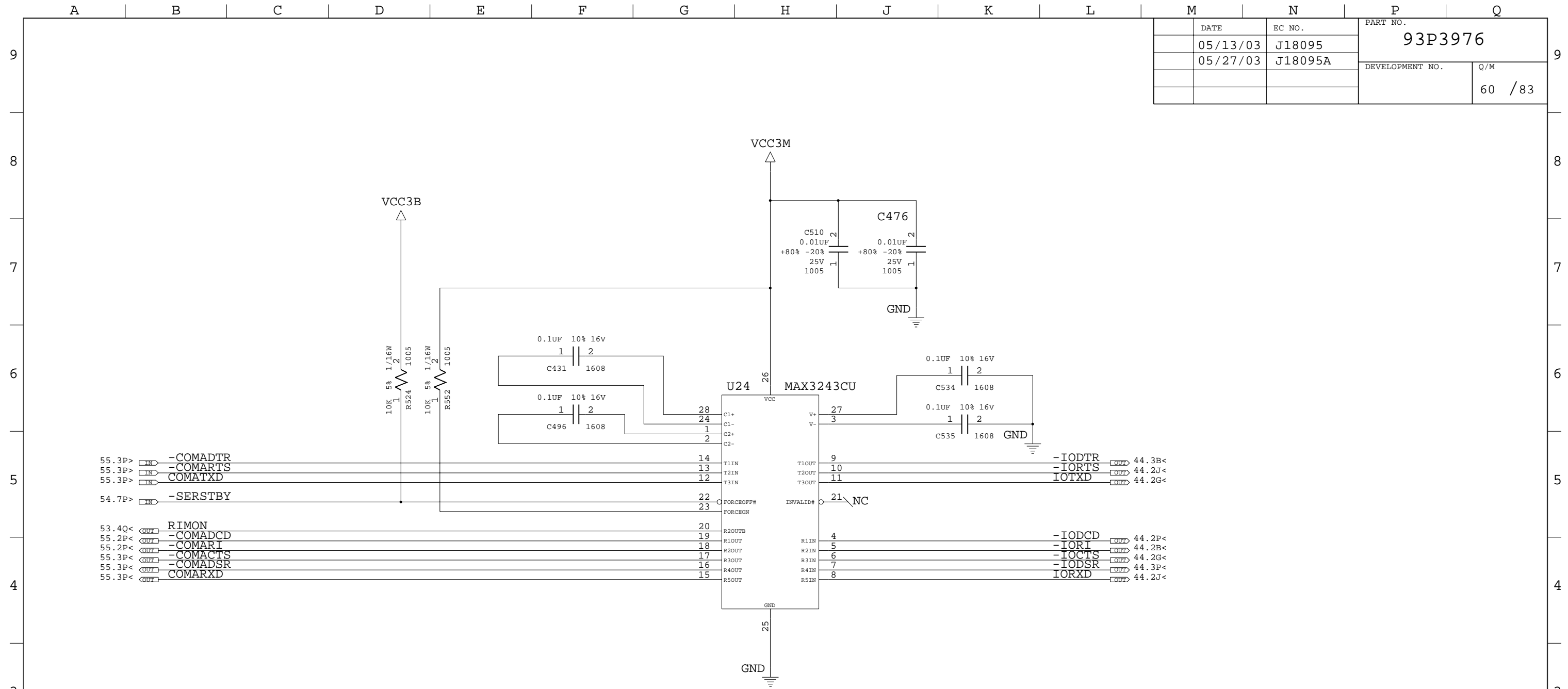


DATE	EC NO.	PART NO.	
05/13/03	J18095	93P3976	
05/27/03	J18095A	DEVELOPMENT NO.	Q/M
			59 /83

93P3976

DESIGNER	Y.Y	05/27/03	PART NO.	93P3976	<b>IBM</b>
CHECKED	Y.I	05/27/03	TITLE		
APPROVED	K.T	05/27/03	KEYBOARD		
CLASS			THIS DOCUMENT IS THE PROPERTY OF IBM ITS USE IS AUTHORIZED ONLY FOR RESPONDING TO A REQUEST FOR QUOTATION OR FOR THE PERFORMANCE OF WORK FOR IBM. ALL QUESTIONS MUST BE REFERRED TO THE IBM PURCHASING DEPARTMENT.		
			IBM CONFIDENTIAL		

	DATE	EC NO.	PART NO.	
	05/13/03	J18095	93P3976	
	05/27/03	J18095A	DEVELOPMENT NO.	Q/M
				60 /83

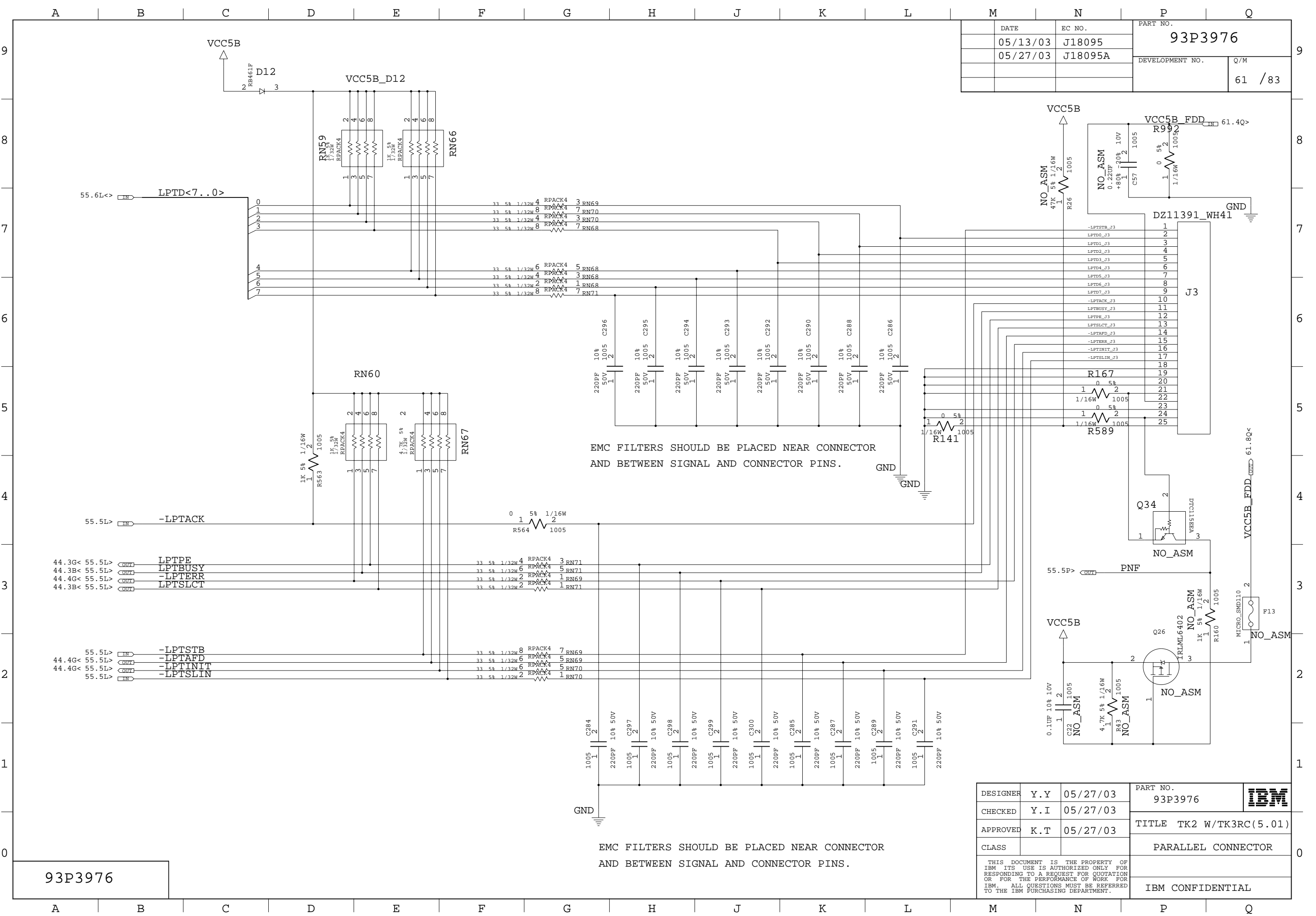


R1IN/R2IN/R3IN/R5IN HAVE INTERNAL PULLDOWN(5K OHM).  
 DO NOT WIRE SIGNALS UNDER PINS (1/2/3/24/25/26/27/28)  
 CHARGE PUMP CAPACITOR SHOULD BE PLACED NEAR PINS(1/2/3/24/27/28)  
 ADD GND SHILED UNDER CHARGE PUMP CIRCUIT TO  
 PROTECT POWER LINE NOISE  
 CAPACITORS FOR CHARGE PUMP SHOULD BE USED TYPE B AND LOW ESR TYPE.

	NOMAL MODE	POWER DOWN MODE	AUTO POWER DOWN MODE
FORCEON	HIGH	DO NOT CARE	LOW
FORCEOFF	HIGH	LOW	HIGH

93P3976

DESIGNER	Y.Y	05/27/03	PART NO.	93P3976	<b>IBM</b>
CHECKED	Y.I	05/27/03	TITLE TK2 W/TK3RC(5.01)		
APPROVED	K.T	05/27/03	SERIAL DRIVER		
CLASS					
THIS DOCUMENT IS THE PROPERTY OF IBM ITS USE IS AUTHORIZED ONLY FOR RESPONDING TO A REQUEST FOR QUOTATION OR FOR THE PERFORMANCE OF WORK FOR IBM. ALL QUESTIONS MUST BE REFERRED TO THE IBM PURCHASING DEPARTMENT.					IBM CONFIDENTIAL



DATE	EC NO.	PART NO.	
05/13/03	J18095	93P3976	
05/27/03	J18095A	DEVELOPMENT NO.	Q/M
			61 / 83

93P3976

DESIGNER	Y.Y	05/27/03	PART NO.	93P3976	
CHECKED	Y.I	05/27/03	TITLE TK2 W/TK3RC(5.01)		
APPROVED	K.T	05/27/03	PARALLEL CONNECTOR		
CLASS			IBM CONFIDENTIAL		

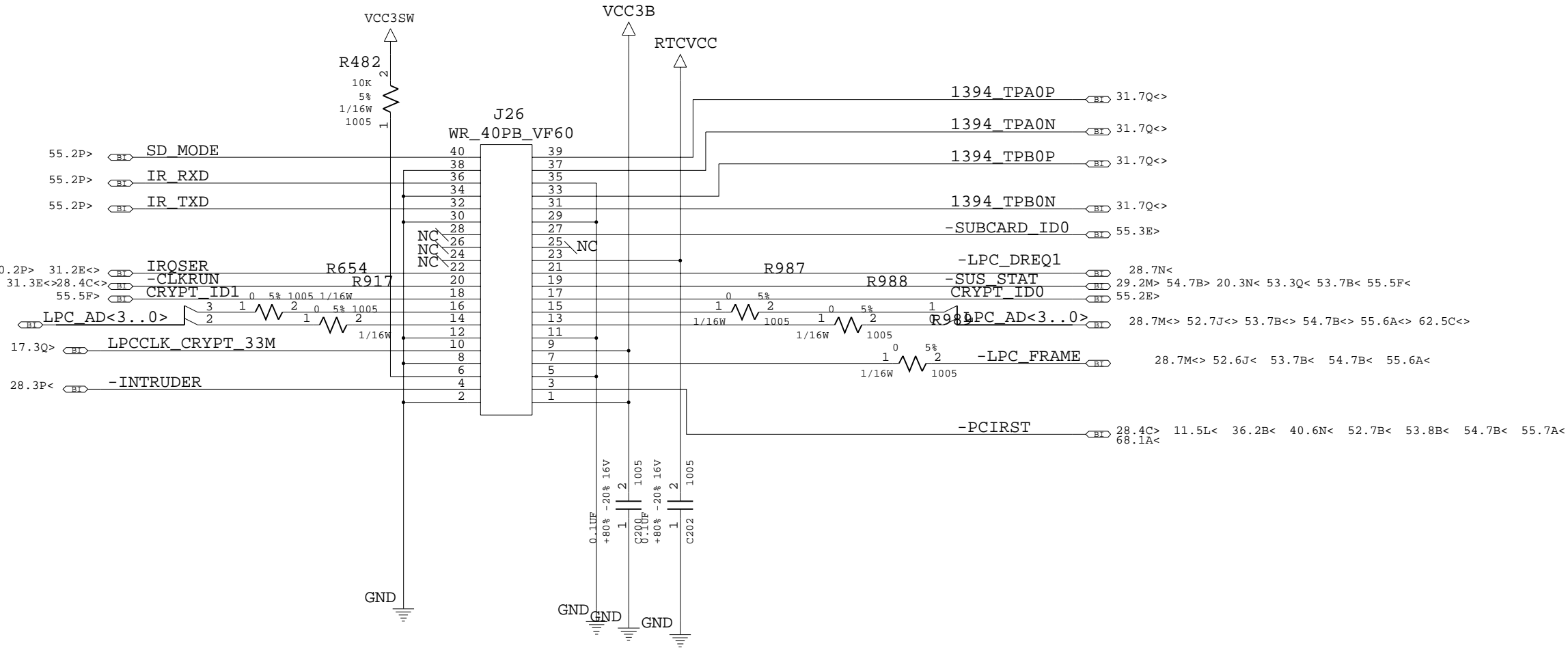
THIS DOCUMENT IS THE PROPERTY OF IBM ITS USE IS AUTHORIZED ONLY FOR RESPONDING TO A REQUEST FOR QUOTATION OR FOR THE PERFORMANCE OF WORK FOR IBM. ALL QUESTIONS MUST BE REFERRED TO THE IBM PURCHASING DEPARTMENT.

EMC FILTERS SHOULD BE PLACED NEAR CONNECTOR AND BETWEEN SIGNAL AND CONNECTOR PINS.

EMC FILTERS SHOULD BE PLACED NEAR CONNECTOR AND BETWEEN SIGNAL AND CONNECTOR PINS.

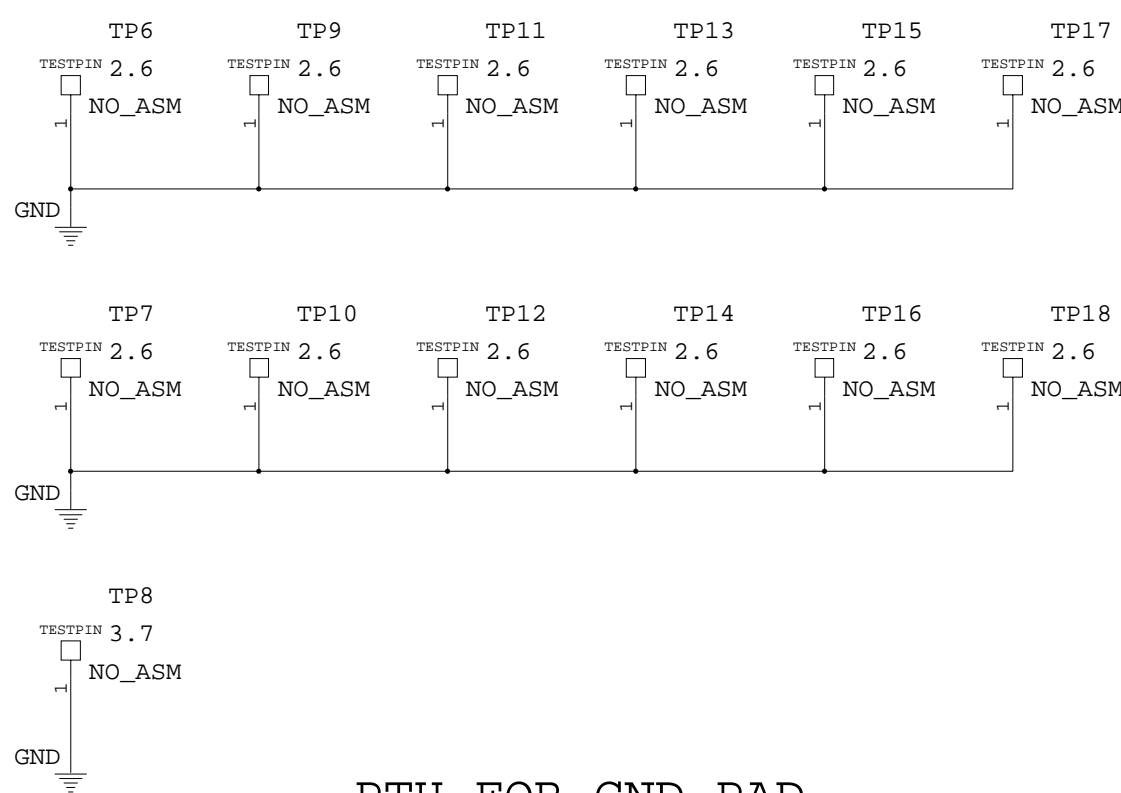
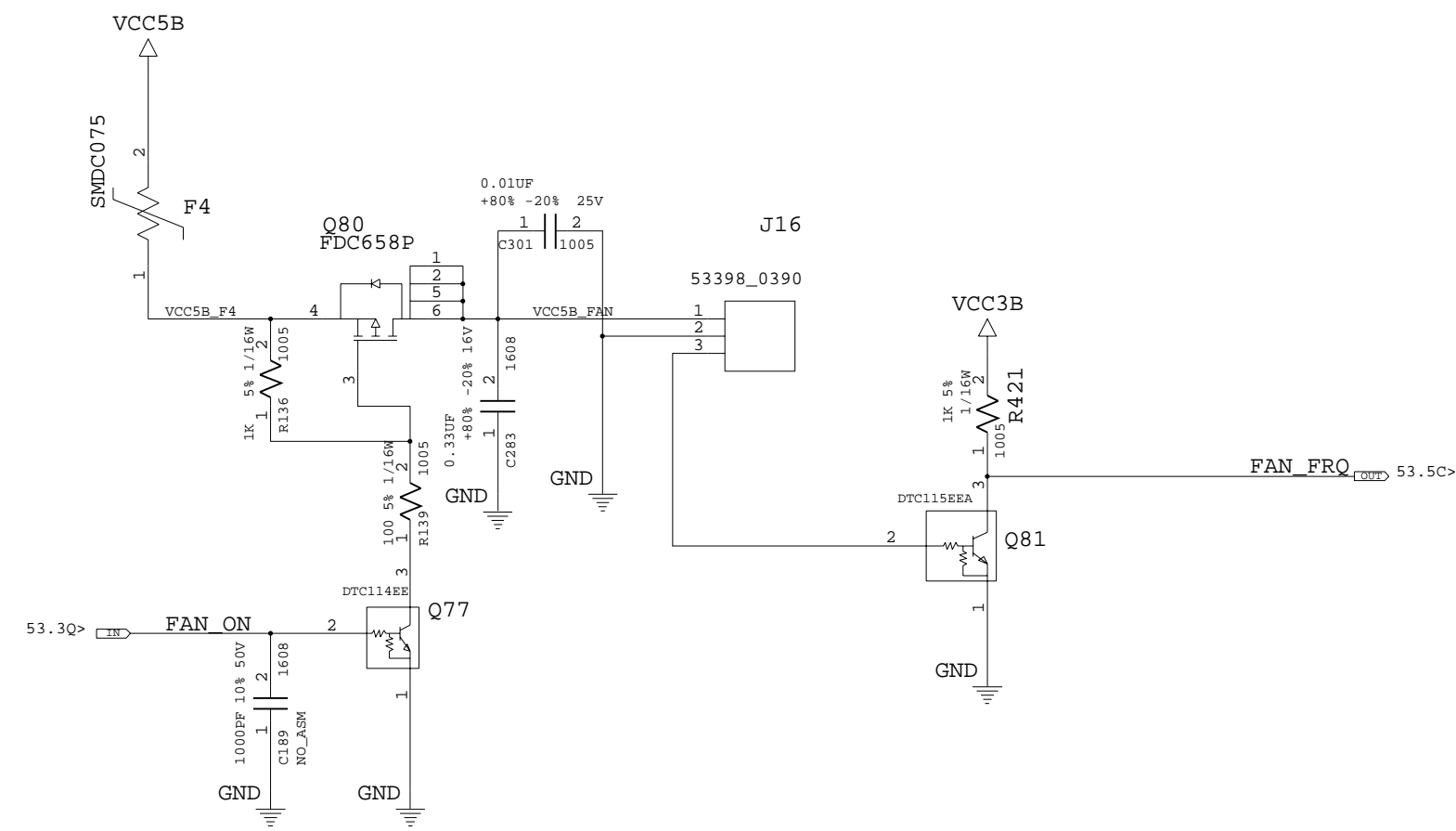
DATE	EC NO.	PART NO.	
05/13/03	J18095	93P3976	
05/27/03	J18095A	DEVELOPMENT NO.	Q/M
			62 /83

93P3976

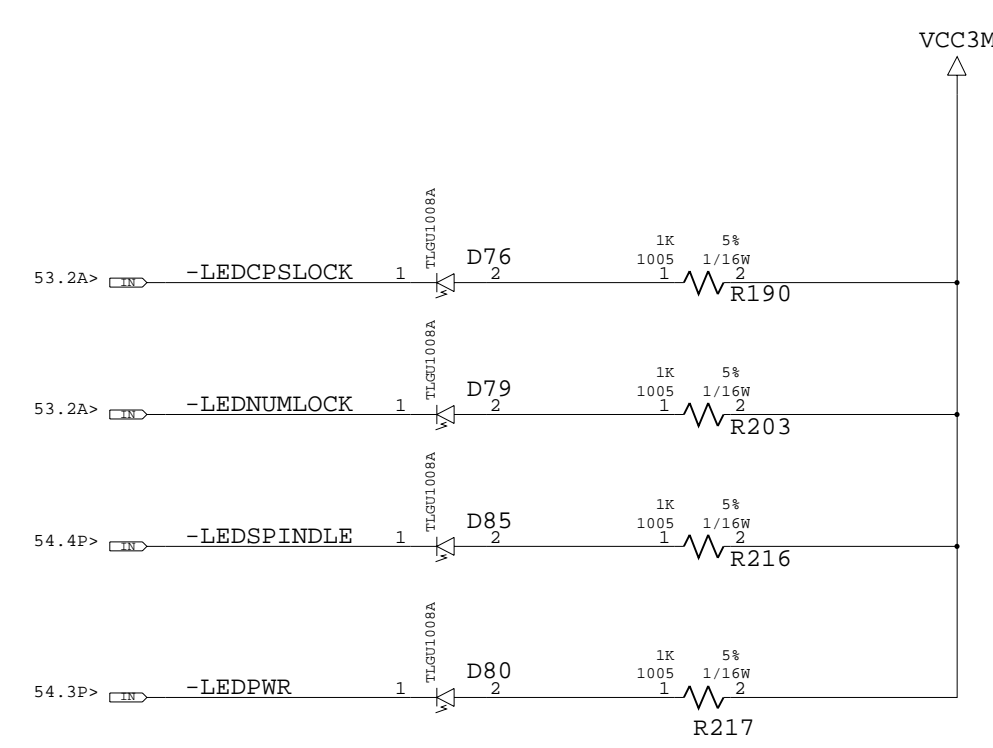


DESIGNER	Y.Y	05/27/03	PART NO.	93P3976	
CHECKED	Y.I	05/27/03			
APPROVED	K.T	05/27/03	TITLE TK2 W/TK3RC(5.01)		
CLASS			SUB CARD CONNECTOR		
THIS DOCUMENT IS THE PROPERTY OF IBM ITS USE IS AUTHORIZED ONLY FOR RESPONDING TO A REQUEST FOR QUOTATION OR FOR THE PERFORMANCE OF WORK FOR IBM. ALL QUESTIONS MUST BE REFERRED TO THE IBM PURCHASING DEPARTMENT.					IBM CONFIDENTIAL

DATE	EC NO.	PART NO.	
05/13/03	J18095	93P3976	
05/27/03	J18095A	DEVELOPMENT NO.	Q/M
			63 / 83



PTH FOR GND PAD

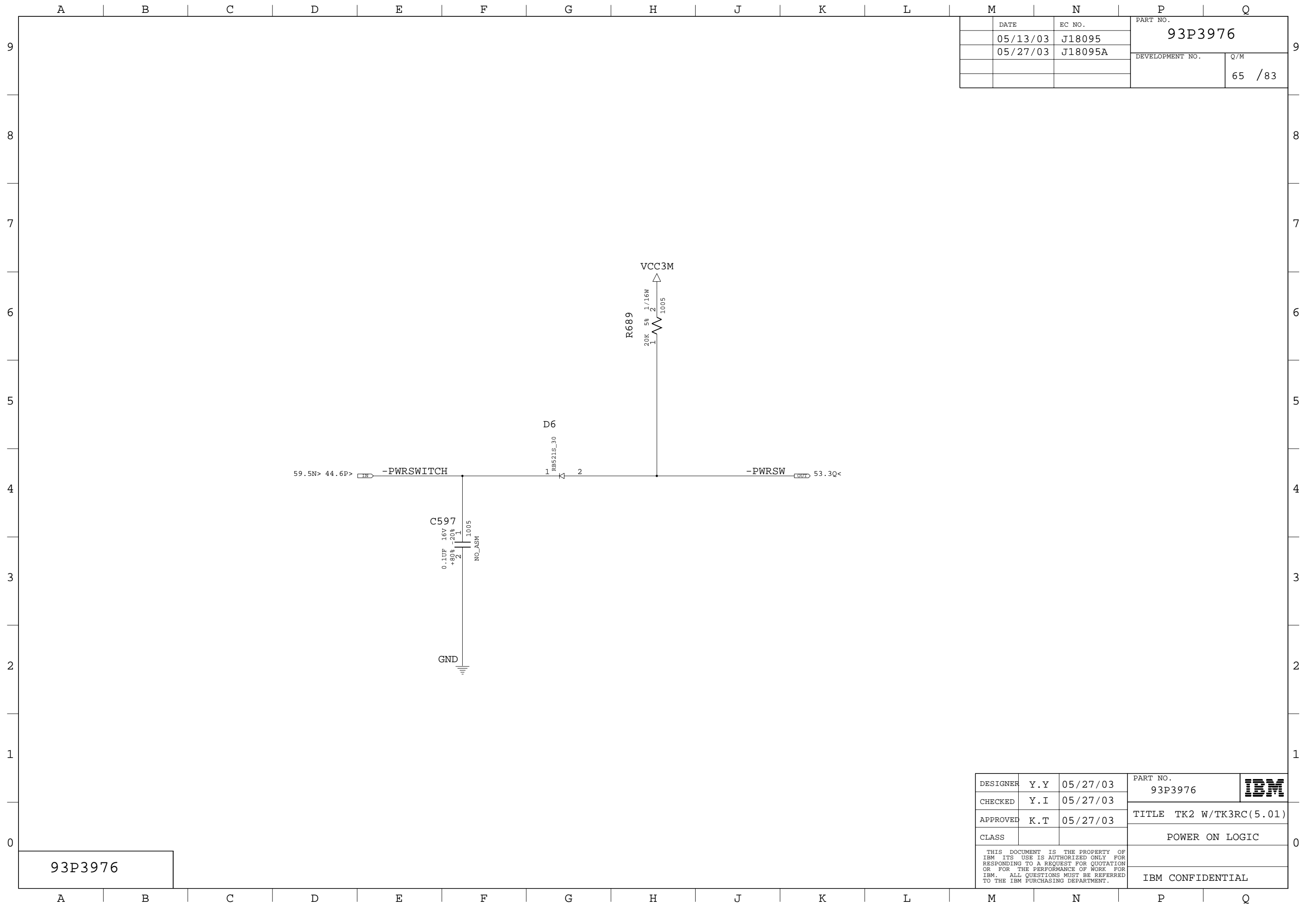


93P3976

DESIGNER	Y.Y	05/27/03	PART NO.	93P3976	
CHECKED	Y.I	05/27/03	TITLE		
APPROVED	K.T	05/27/03	FAN CONNECTOR AND LED		
CLASS			IBM CONFIDENTIAL		
<small>THIS DOCUMENT IS THE PROPERTY OF IBM ITS USE IS AUTHORIZED ONLY FOR RESPONDING TO A REQUEST FOR QUOTATION OR FOR THE PERFORMANCE OF WORK FOR IBM. ALL QUESTIONS MUST BE REFERRED TO THE IBM PURCHASING DEPARTMENT.</small>					





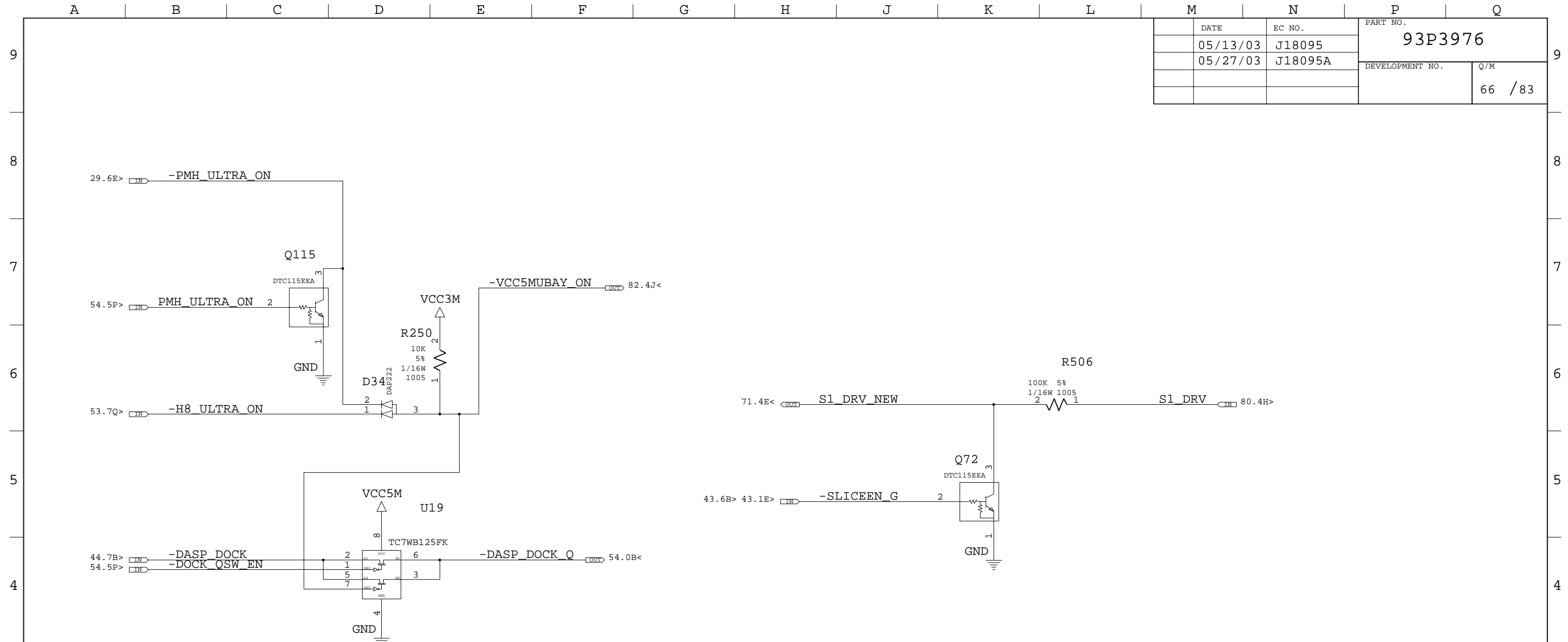


	DATE	EC NO.	PART NO.	
	05/13/03	J18095	93P3976	
	05/27/03	J18095A	DEVELOPMENT NO.	Q/M
				65 /83

93P3976

DESIGNER	Y.Y	05/27/03	PART NO.	93P3976	<b>IBM</b>
CHECKED	Y.I	05/27/03			
APPROVED	K.T	05/27/03	TITLE TK2 W/TK3RC(5.01)		
CLASS			POWER ON LOGIC		
THIS DOCUMENT IS THE PROPERTY OF IBM ITS USE IS AUTHORIZED ONLY FOR RESPONDING TO A REQUEST FOR QUOTATION OR FOR THE PERFORMANCE OF WORK FOR IBM. ALL QUESTIONS MUST BE REFERRED TO THE IBM PURCHASING DEPARTMENT.				IBM CONFIDENTIAL	

	DATE	EC NO.	PART NO.	
	05/13/03	J18095	93P3976	
	05/27/03	J18095A	DEVELOPMENT NO.	Q/M
				66 /83



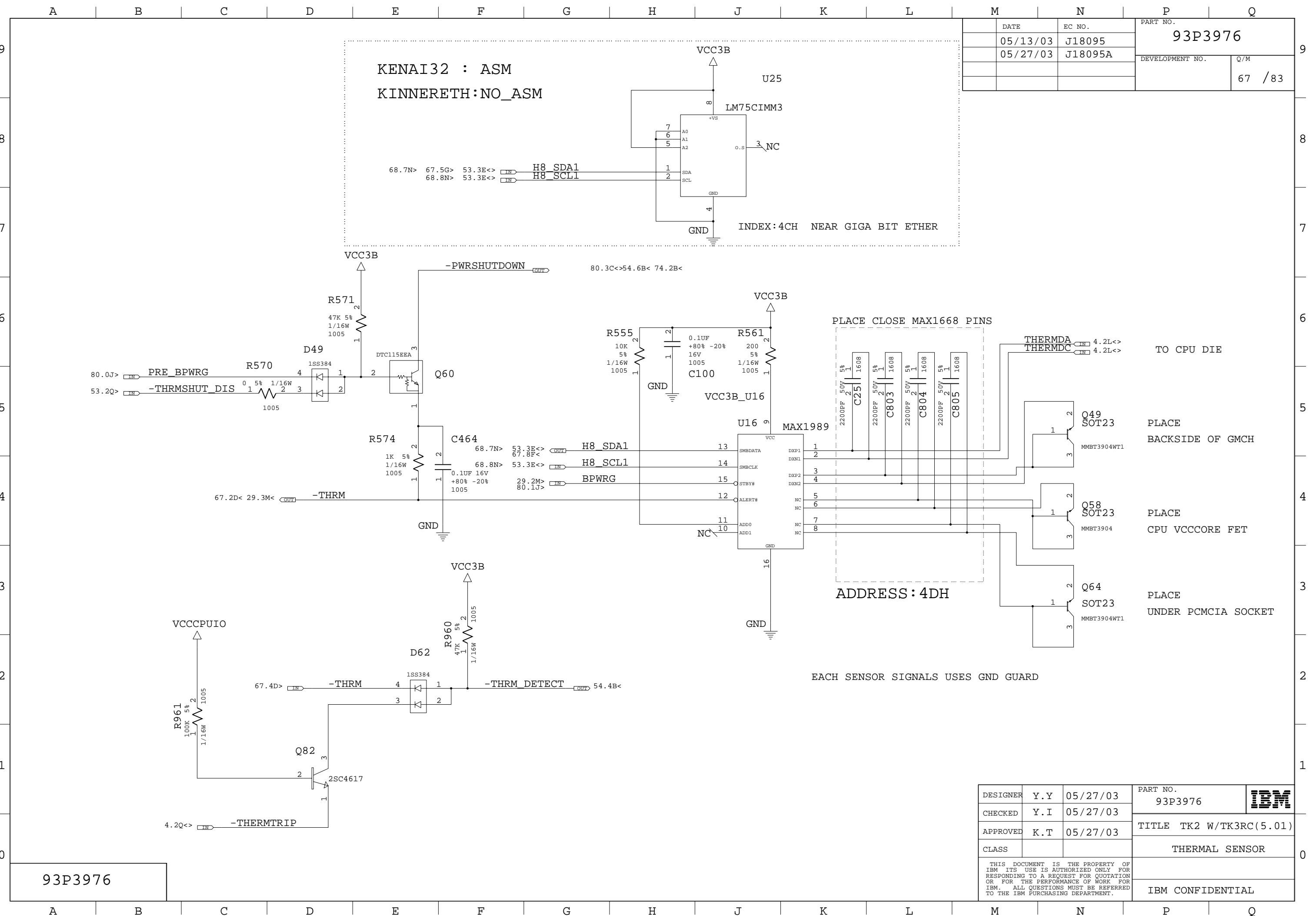
	Q7 GATE (FET FOR "S_BAT_PER")	DOCKING INTERFACE
S1_DRV=HIGH		62 PIN (SLICE_ON)
STANDALONE	OFF	LOW
CAIRO	OFF	LOW
MADRID	OFF	LOW
TOKYO-SLICER	ON	HIGH

93P3976

DESIGNER	Y.Y	05/27/03	PART NO.	93P3976	<b>IBM</b>
CHECKED	Y.I	05/27/03	TITLE TK2 W/TK3RC(5.01)		
APPROVED	K.T	05/27/03	SLICE SUPPORT		
CLASS			THIS DOCUMENT IS THE PROPERTY OF IBM ITS USE IS AUTHORIZED ONLY FOR RESPONDING TO A REQUEST FOR QUOTATION OR FOR THE PERFORMANCE OF WORK FOR IBM. ALL QUESTIONS MUST BE REFERRED TO THE IBM PURCHASING DEPARTMENT.		IBM CONFIDENTIAL

KENAI32 : ASM  
KINNERETH:NO\_ASM

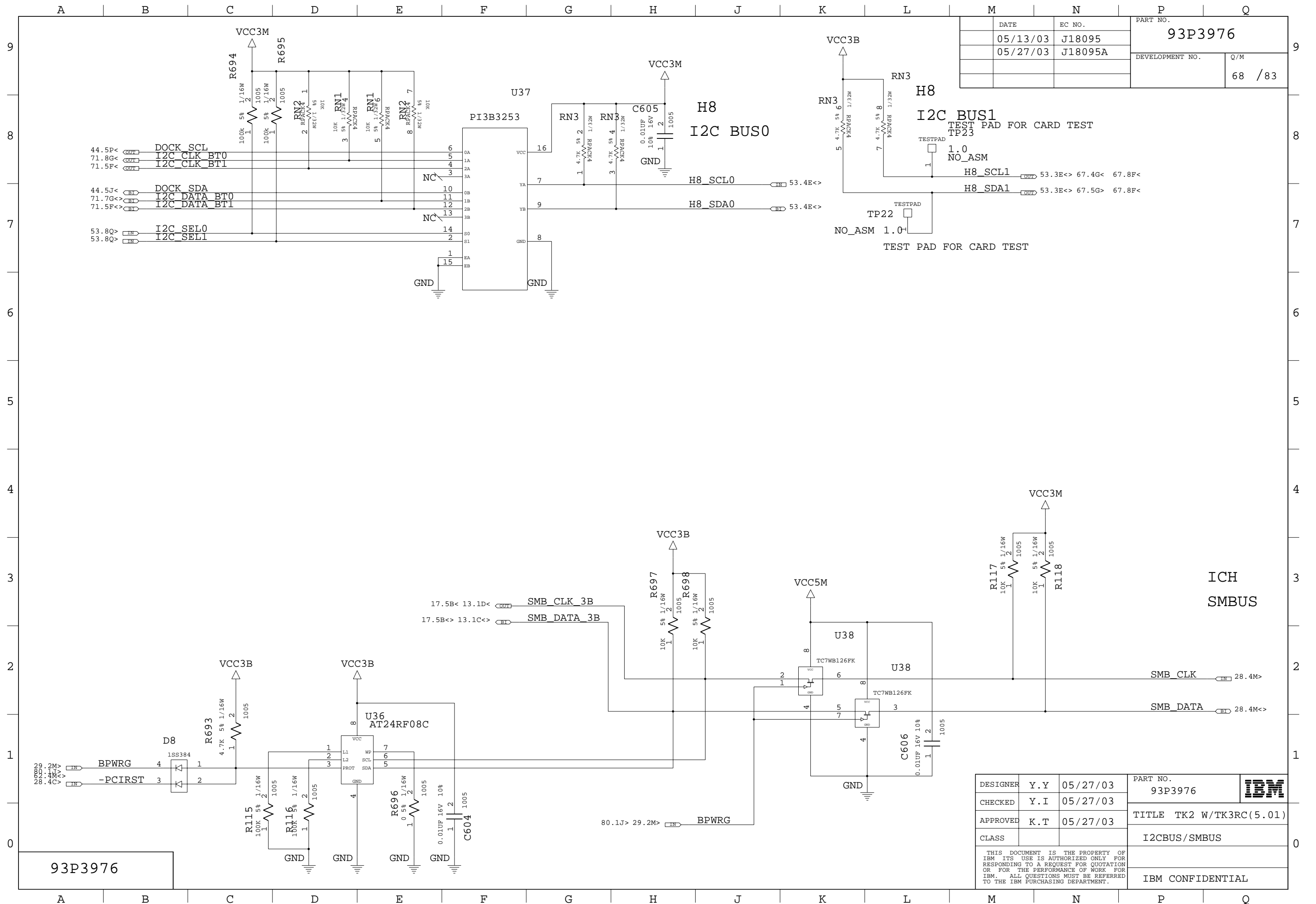
DATE	EC NO.	PART NO.	
05/13/03	J18095	93P3976	
05/27/03	J18095A	DEVELOPMENT NO.	Q/M
			67 /83



93P3976

DESIGNER	Y.Y	05/27/03	PART NO.	93P3976	
CHECKED	Y.I	05/27/03	TITLE		
APPROVED	K.T	05/27/03	THERMAL SENSOR		
CLASS			IBM CONFIDENTIAL		

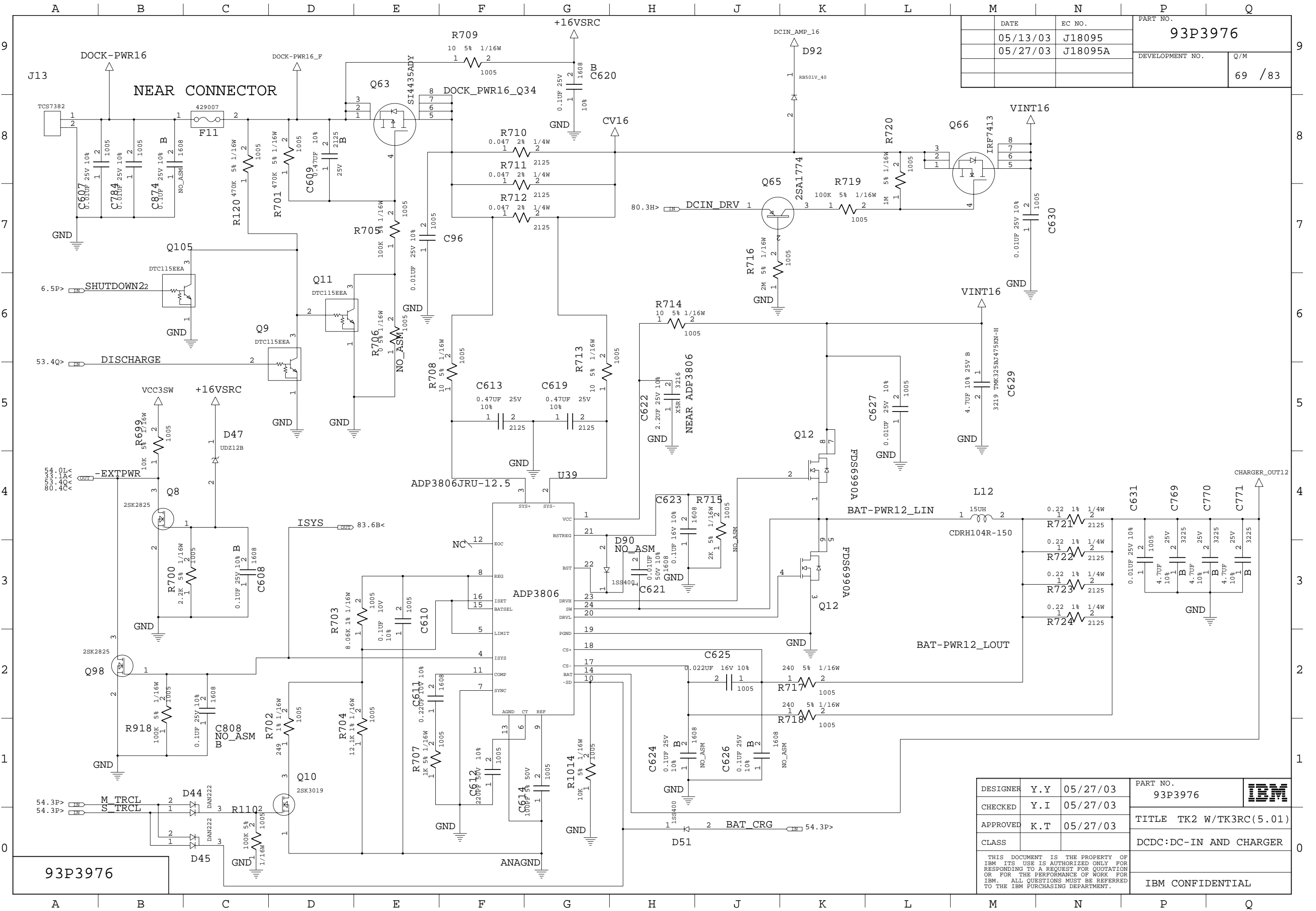
THIS DOCUMENT IS THE PROPERTY OF IBM ITS USE IS AUTHORIZED ONLY FOR RESPONDING TO A REQUEST FOR QUOTATION OR FOR THE PERFORMANCE OF WORK FOR IBM. ALL QUESTIONS MUST BE REFERRED TO THE IBM PURCHASING DEPARTMENT.



DATE	EC NO.	PART NO.	
05/13/03	J18095	93P3976	
05/27/03	J18095A	DEVELOPMENT NO.	Q/M
			68 / 83

DESIGNER	Y.Y	05/27/03	PART NO.	93P3976	
CHECKED	Y.I	05/27/03	TITLE		
APPROVED	K.T	05/27/03	CLASS	I2CBUS/SMBUS	
THIS DOCUMENT IS THE PROPERTY OF IBM ITS USE IS AUTHORIZED ONLY FOR RESPONDING TO A REQUEST FOR QUOTATION OR FOR THE PERFORMANCE OF WORK FOR IBM. ALL QUESTIONS MUST BE REFERRED TO THE IBM PURCHASING DEPARTMENT.					IBM CONFIDENTIAL

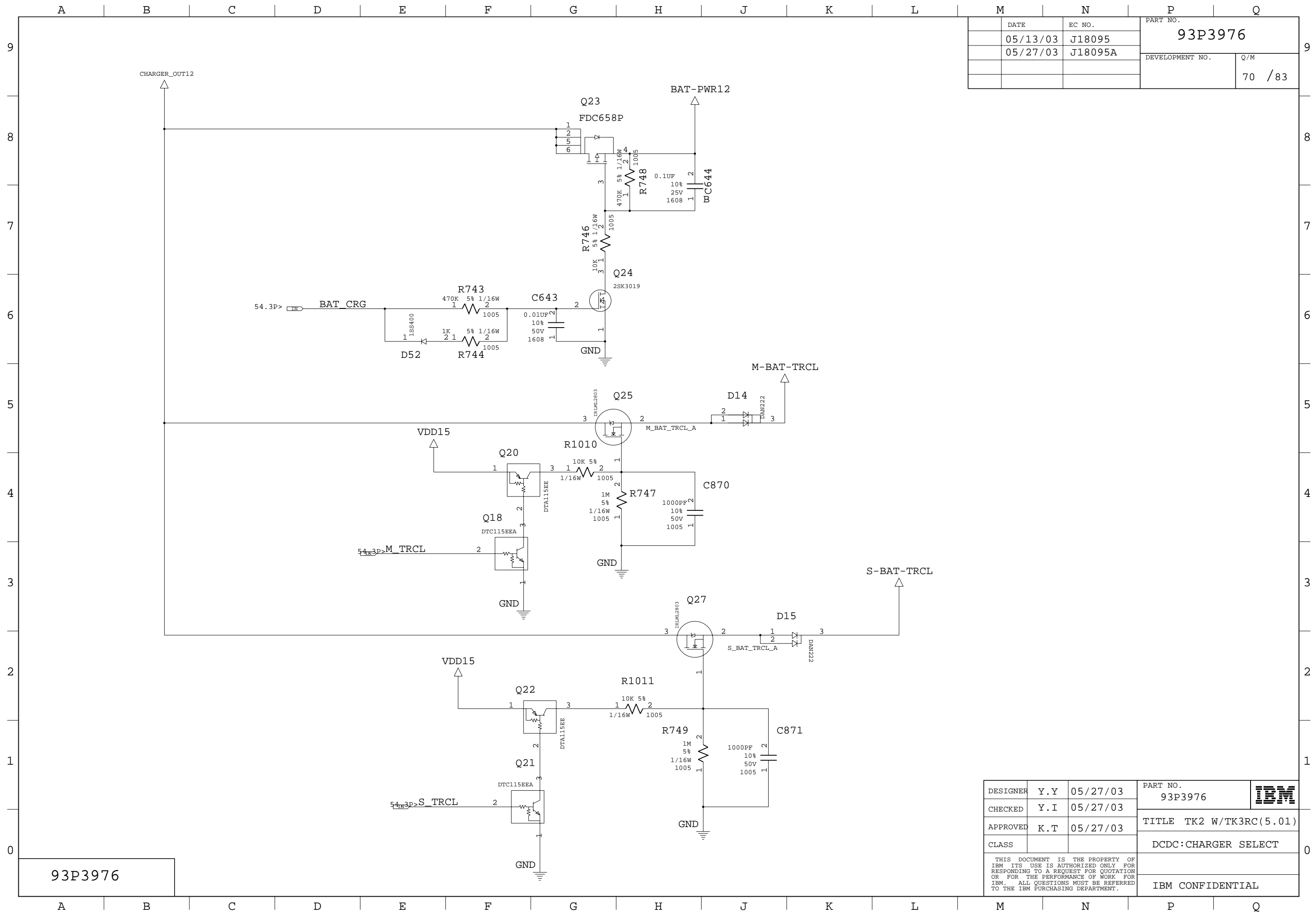
93P3976



DATE	EC NO.	PART NO.	
05/13/03	J18095	93P3976	
05/27/03	J18095A	DEVELOPMENT NO.	Q/M
			69 / 83

93P3976

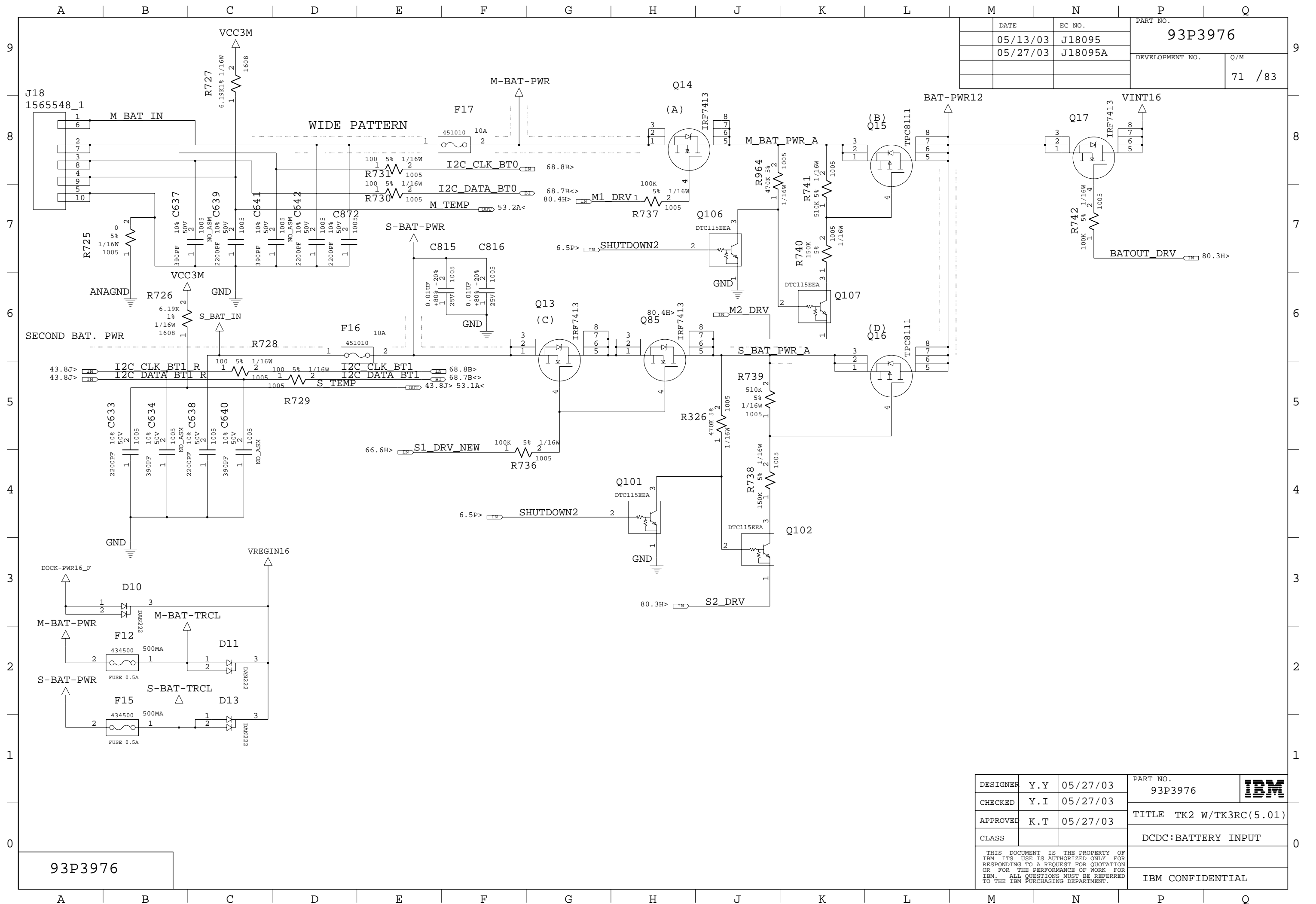
DESIGNER	Y.Y	05/27/03	PART NO.	93P3976	
CHECKED	Y.I	05/27/03	TITLE		
APPROVED	K.T	05/27/03	CLASS	DCDC:DC-IN AND CHARGER	
THIS DOCUMENT IS THE PROPERTY OF IBM ITS USE IS AUTHORIZED ONLY FOR RESPONDING TO A REQUEST FOR QUOTATION OR FOR THE PERFORMANCE OF WORK FOR IBM. ALL QUESTIONS MUST BE REFERRED TO THE IBM PURCHASING DEPARTMENT.					IBM CONFIDENTIAL



	DATE	EC NO.	PART NO.	
	05/13/03	J18095	93P3976	
	05/27/03	J18095A	DEVELOPMENT NO.	Q/M
				70 /83

93P3976

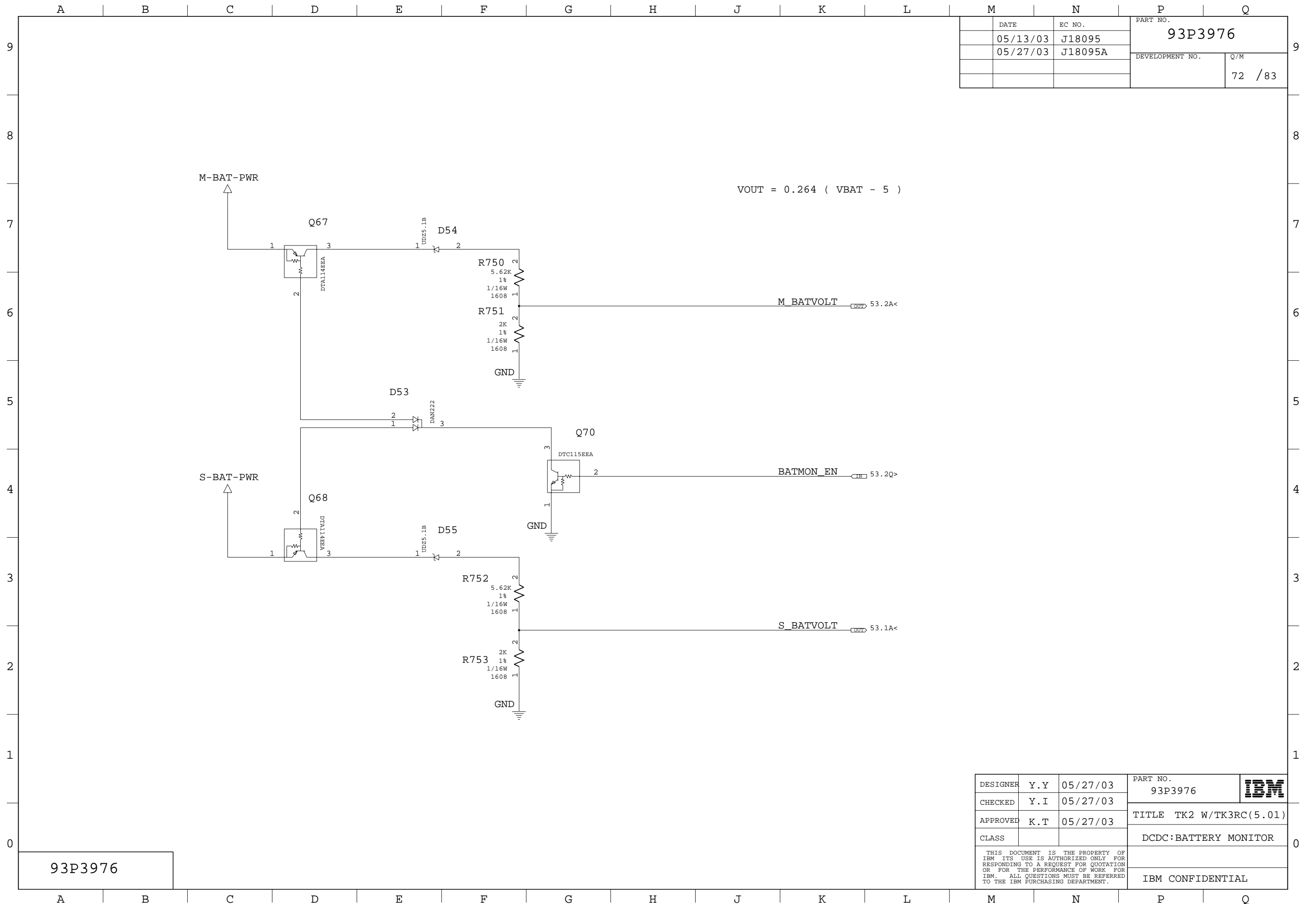
DESIGNER	Y.Y	05/27/03	PART NO.	93P3976	
CHECKED	Y.I	05/27/03	TITLE		
APPROVED	K.T	05/27/03	CLASS	DCDC:CHARGER SELECT	
THIS DOCUMENT IS THE PROPERTY OF IBM ITS USE IS AUTHORIZED ONLY FOR RESPONDING TO A REQUEST FOR QUOTATION OR FOR THE PERFORMANCE OF WORK FOR IBM. ALL QUESTIONS MUST BE REFERRED TO THE IBM PURCHASING DEPARTMENT.					IBM CONFIDENTIAL



DATE	EC NO.	PART NO.	
05/13/03	J18095	93P3976	
05/27/03	J18095A	DEVELOPMENT NO.	Q/M
			71 / 83

93P3976

DESIGNER	Y.Y	05/27/03	PART NO.	93P3976	
CHECKED	Y.I	05/27/03	TITLE		
APPROVED	K.T	05/27/03	CLASS	DCDC:BATTERY INPUT	
THIS DOCUMENT IS THE PROPERTY OF IBM ITS USE IS AUTHORIZED ONLY FOR RESPONDING TO A REQUEST FOR QUOTATION OR FOR THE PERFORMANCE OF WORK FOR IBM. ALL QUESTIONS MUST BE REFERRED TO THE IBM PURCHASING DEPARTMENT.				IBM CONFIDENTIAL	

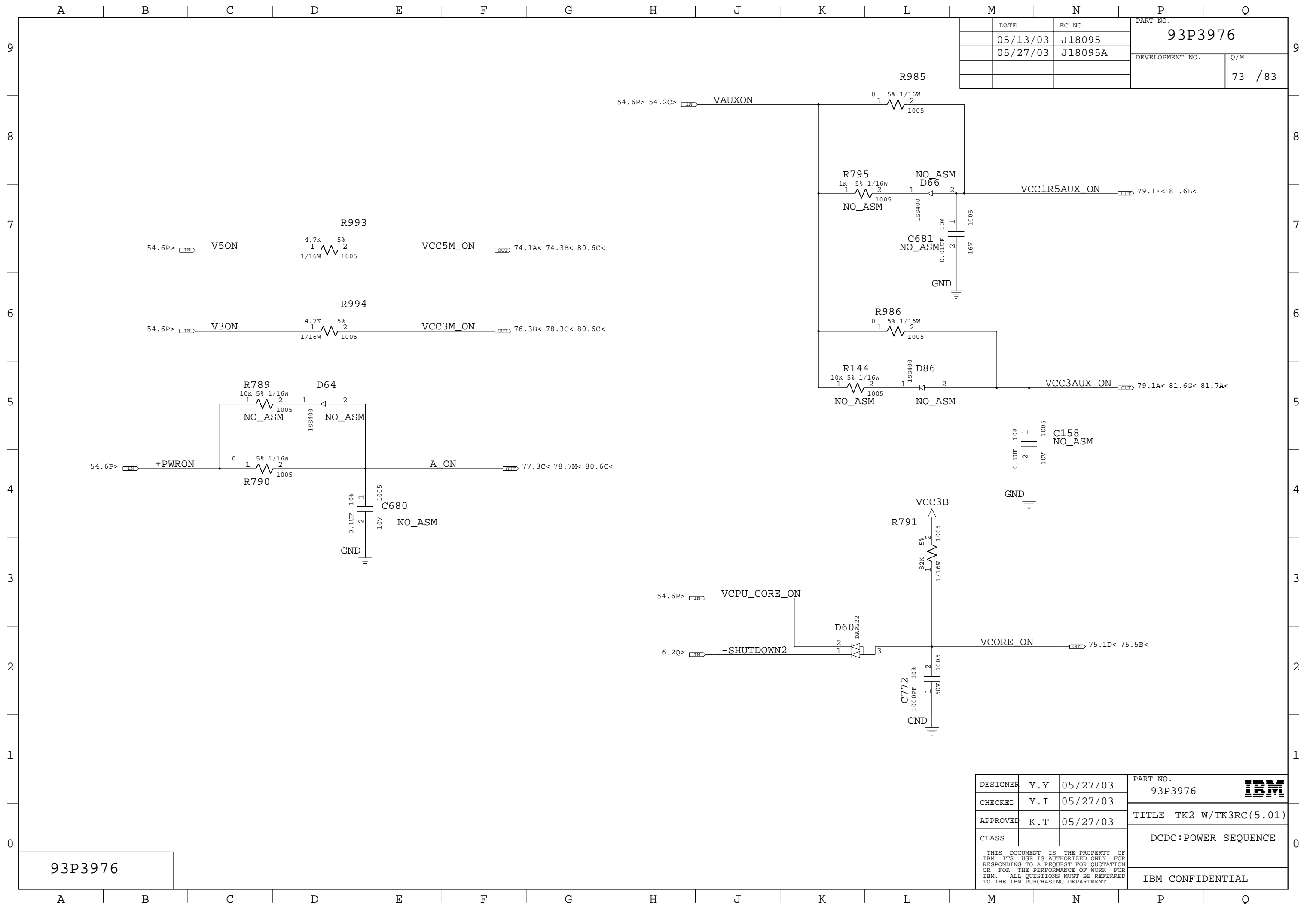


	DATE	EC NO.	PART NO.	
	05/13/03	J18095	93P3976	
	05/27/03	J18095A	DEVELOPMENT NO.	Q/M
				72 /83

93P3976

DESIGNER	Y.Y	05/27/03	PART NO.	93P3976	
CHECKED	Y.I	05/27/03	TITLE		
APPROVED	K.T	05/27/03	CLASS	DCDC:BATTERY MONITOR	
THIS DOCUMENT IS THE PROPERTY OF IBM ITS USE IS AUTHORIZED ONLY FOR RESPONDING TO A REQUEST FOR QUOTATION OR FOR THE PERFORMANCE OF WORK FOR IBM. ALL QUESTIONS MUST BE REFERRED TO THE IBM PURCHASING DEPARTMENT.				IBM CONFIDENTIAL	

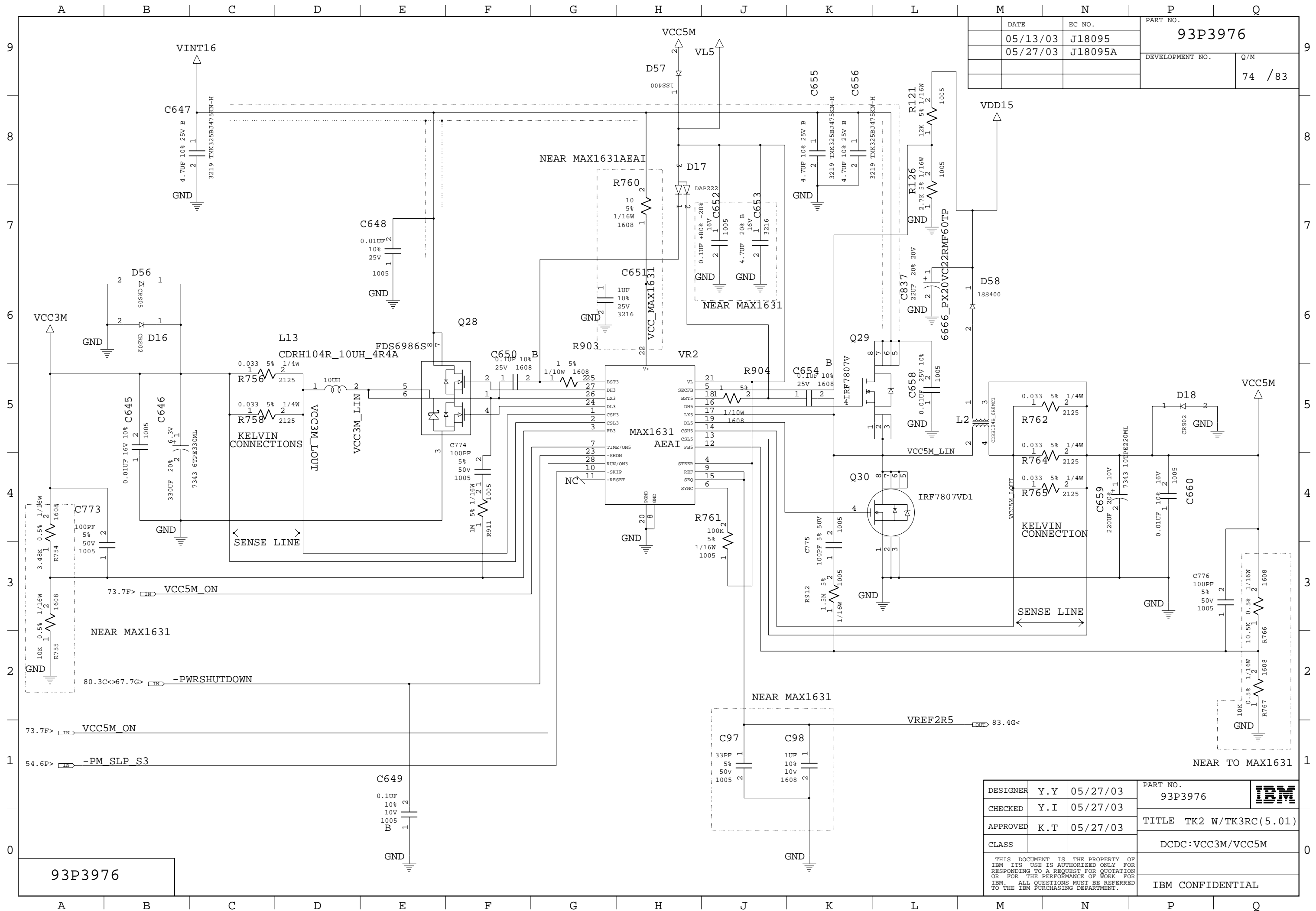




DATE	EC NO.	PART NO.	
05/13/03	J18095	93P3976	
05/27/03	J18095A	DEVELOPMENT NO.	Q/M
			73 / 83

93P3976

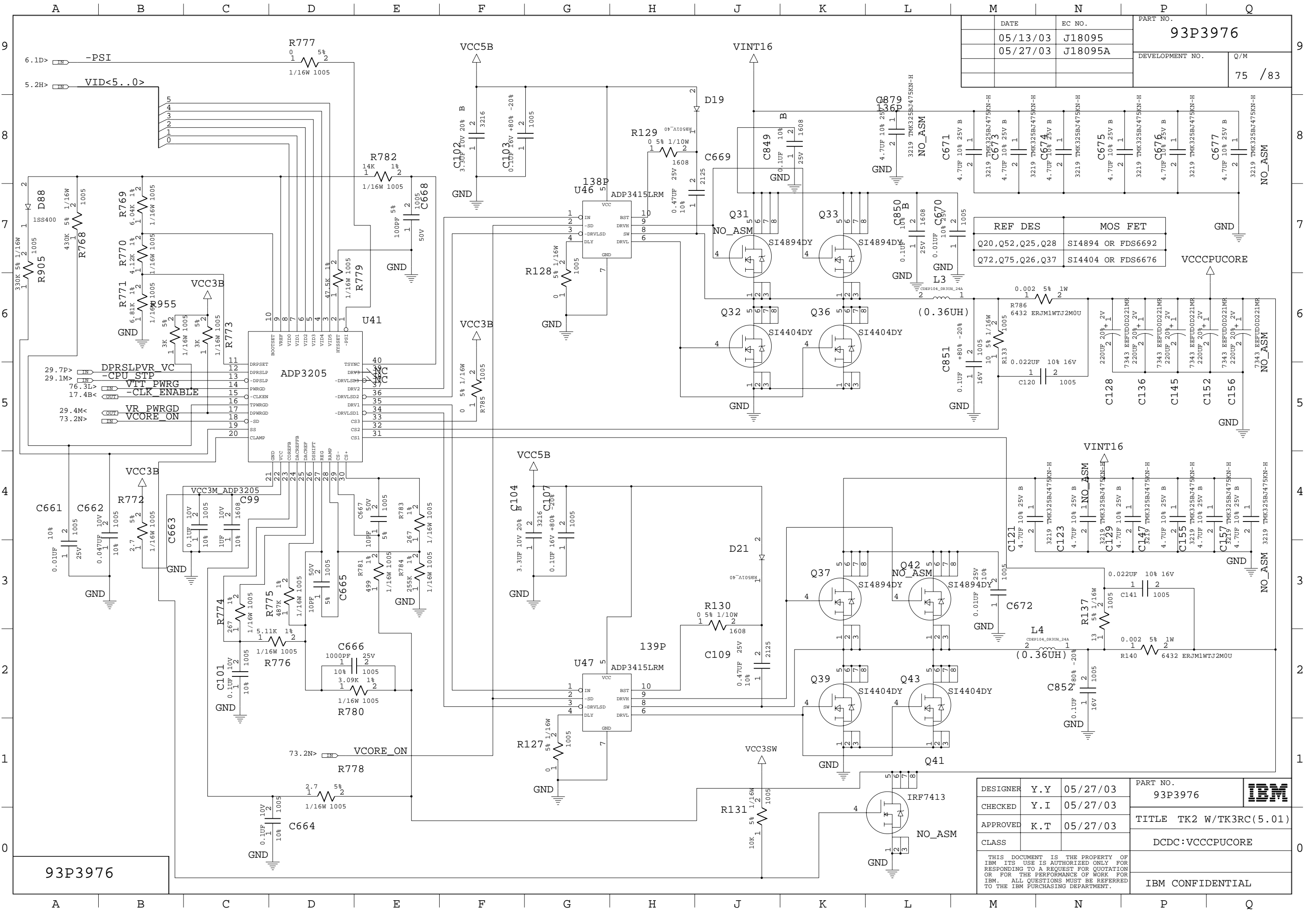
DESIGNER	Y.Y	05/27/03	PART NO.	93P3976	<b>IBM</b>
CHECKED	Y.I	05/27/03			
APPROVED	K.T	05/27/03	TITLE TK2 W/TK3RC(5.01)		
CLASS			DCDC:POWER SEQUENCE		
THIS DOCUMENT IS THE PROPERTY OF IBM ITS USE IS AUTHORIZED ONLY FOR RESPONDING TO A REQUEST FOR QUOTATION OR FOR THE PERFORMANCE OF WORK FOR IBM. ALL QUESTIONS MUST BE REFERRED TO THE IBM PURCHASING DEPARTMENT.					IBM CONFIDENTIAL



DATE	EC NO.	PART NO.	
05/13/03	J18095	93P3976	
05/27/03	J18095A	DEVELOPMENT NO.	Q/M
			74 / 83

DESIGNER	Y.Y	05/27/03	PART NO.	93P3976	
CHECKED	Y.I	05/27/03	TITLE		
APPROVED	K.T	05/27/03	CLASS	DCDC:VCC3M/VCC5M	
THIS DOCUMENT IS THE PROPERTY OF IBM ITS USE IS AUTHORIZED ONLY FOR RESPONDING TO A REQUEST FOR QUOTATION OR FOR THE PERFORMANCE OF WORK FOR IBM. ALL QUESTIONS MUST BE REFERRED TO THE IBM PURCHASING DEPARTMENT.					IBM CONFIDENTIAL

93P3976

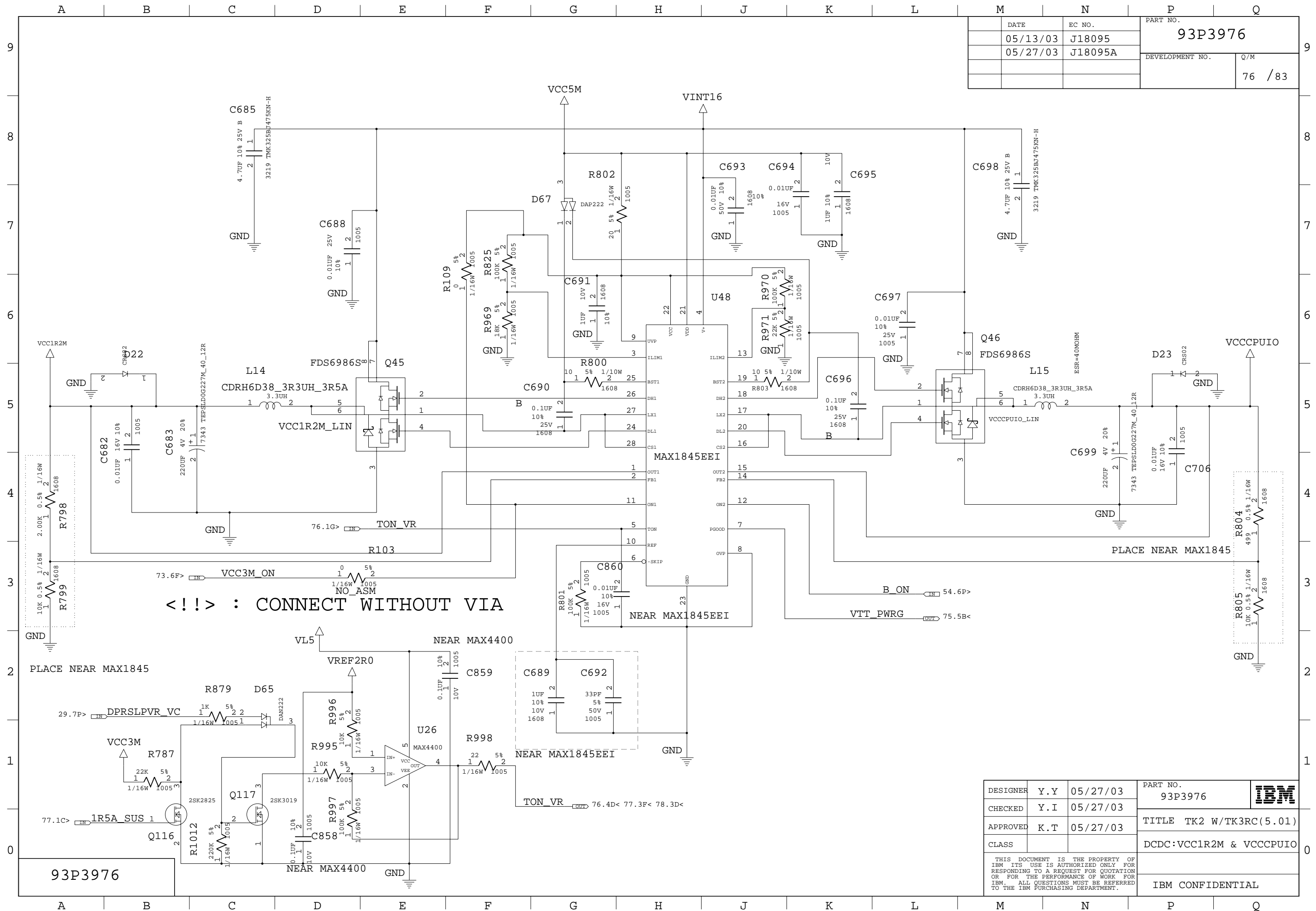


DATE	EC NO.	PART NO.	
05/13/03	J18095	93P3976	
05/27/03	J18095A	DEVELOPMENT NO.	Q/M
			75 / 83

REF DES	MOS FET
Q20, Q52, Q25, Q28	SI4894 OR FDS6692
Q72, Q75, Q26, Q37	SI4404 OR FDS6676

DESIGNER	Y.Y	05/27/03	PART NO.	93P3976	
CHECKED	Y.I	05/27/03	TITLE TK2 W/TK3RC(5.01)		
APPROVED	K.T	05/27/03	CLASS DCDC:VCCCPUCORE		
THIS DOCUMENT IS THE PROPERTY OF IBM ITS USE IS AUTHORIZED ONLY FOR RESPONDING TO A REQUEST FOR QUOTATION OR FOR THE PERFORMANCE OF WORK FOR IBM. ALL QUESTIONS MUST BE REFERRED TO THE IBM PURCHASING DEPARTMENT.					IBM CONFIDENTIAL

93P3976

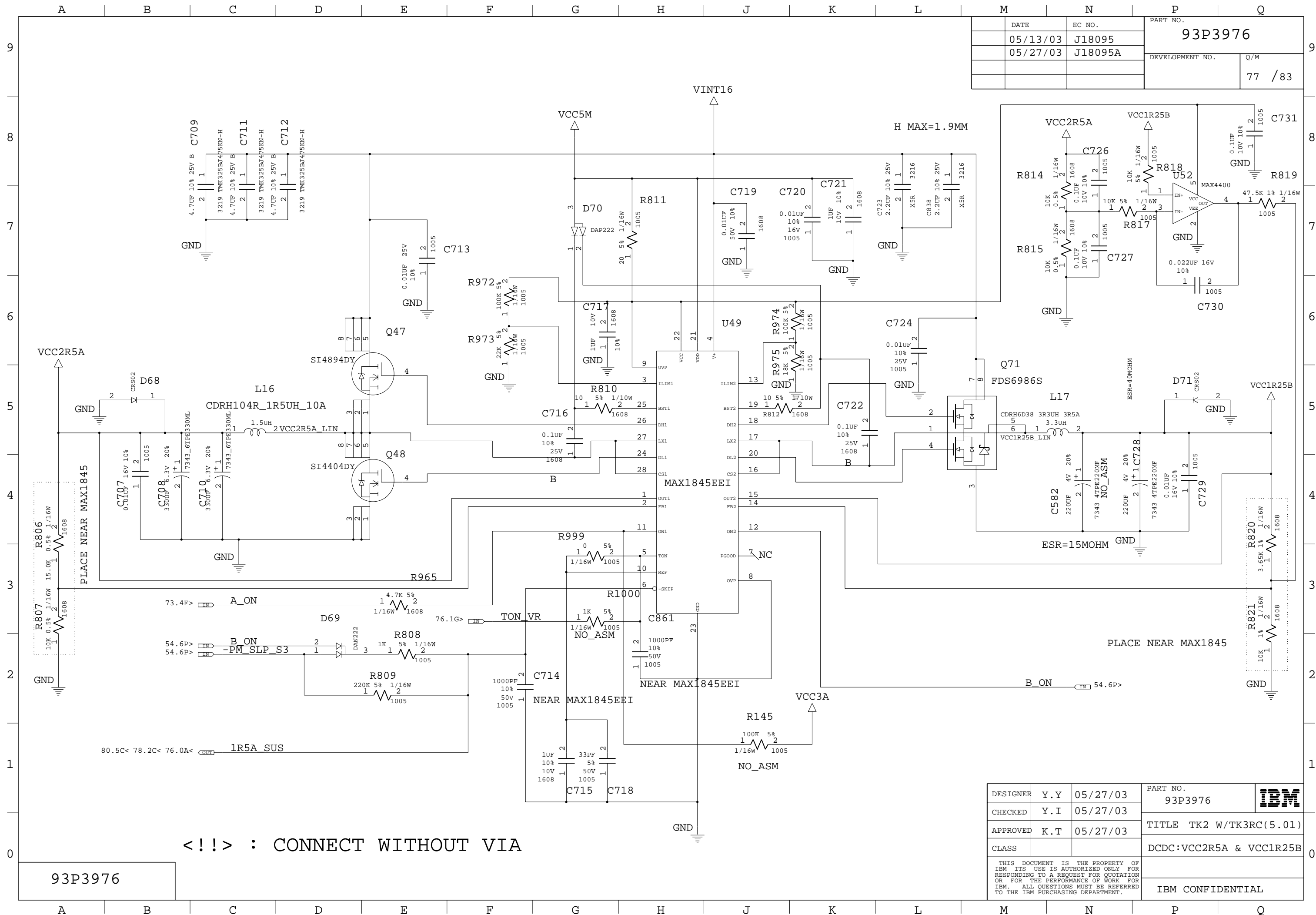


<!!> : CONNECT WITHOUT VIA

DATE	EC NO.	PART NO.	
05/13/03	J18095	93P3976	
05/27/03	J18095A	DEVELOPMENT NO.	Q/M
			76 / 83

DESIGNER	Y.Y	05/27/03	PART NO.	93P3976	
CHECKED	Y.I	05/27/03	TITLE		
APPROVED	K.T	05/27/03	CLASS	DCDC:VCC1R2M & VCCCPUIO	
THIS DOCUMENT IS THE PROPERTY OF IBM ITS USE IS AUTHORIZED ONLY FOR RESPONDING TO A REQUEST FOR QUOTATION OR FOR THE PERFORMANCE OF WORK FOR IBM. ALL QUESTIONS MUST BE REFERRED TO THE IBM PURCHASING DEPARTMENT.					IBM CONFIDENTIAL

93P3976

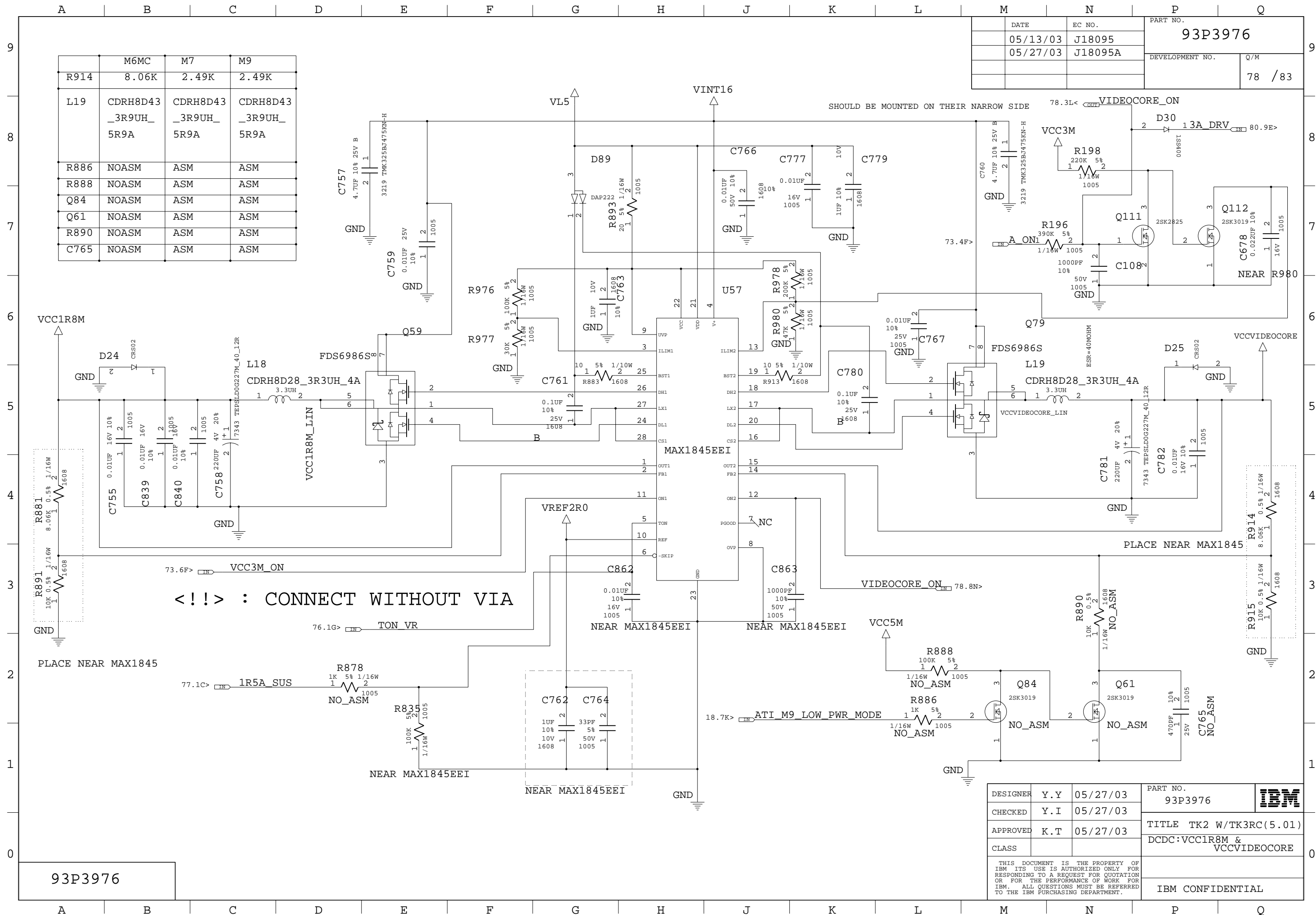


DATE	EC NO.	PART NO.	
05/13/03	J18095	93P3976	
05/27/03	J18095A	DEVELOPMENT NO.	Q/M
			77 / 83

DESIGNER	Y.Y	05/27/03	PART NO.	93P3976	
CHECKED	Y.I	05/27/03	TITLE		
APPROVED	K.T	05/27/03	CLASS	DCDC:VCC2R5A & VCC1R25B	
THIS DOCUMENT IS THE PROPERTY OF IBM ITS USE IS AUTHORIZED ONLY FOR RESPONDING TO A REQUEST FOR QUOTATION OR FOR THE PERFORMANCE OF WORK FOR IBM. ALL QUESTIONS MUST BE REFERRED TO THE IBM PURCHASING DEPARTMENT.				IBM CONFIDENTIAL	

93P3976

<!!!> : CONNECT WITHOUT VIA

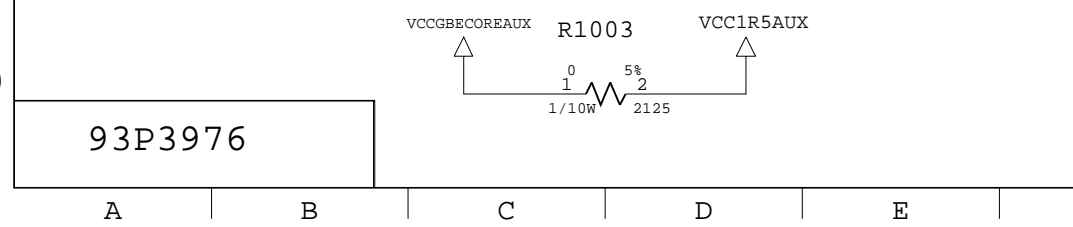
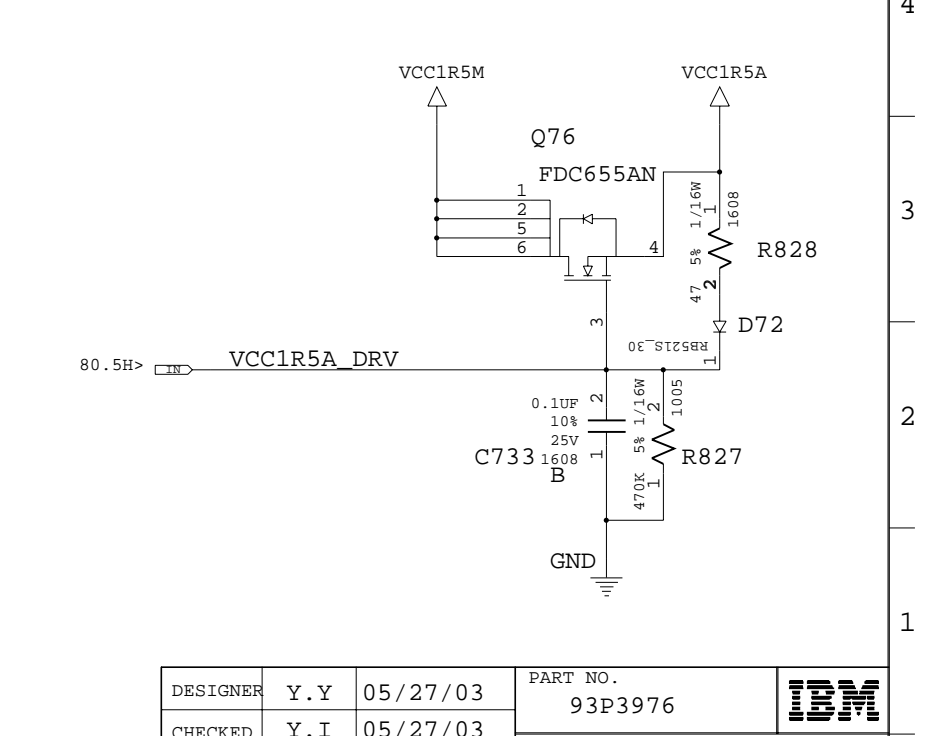
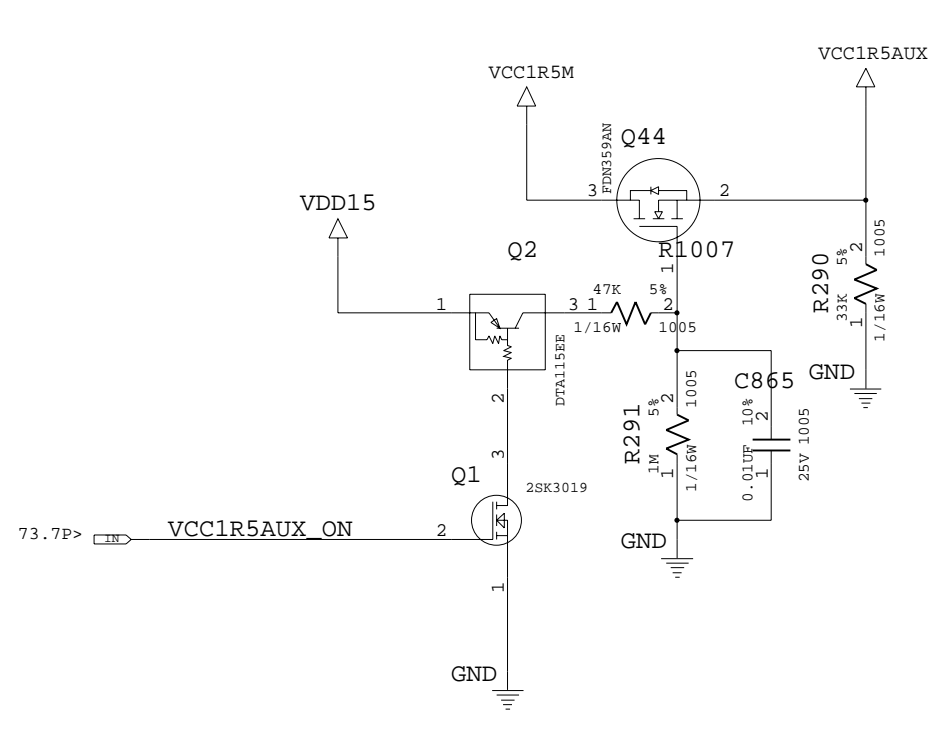
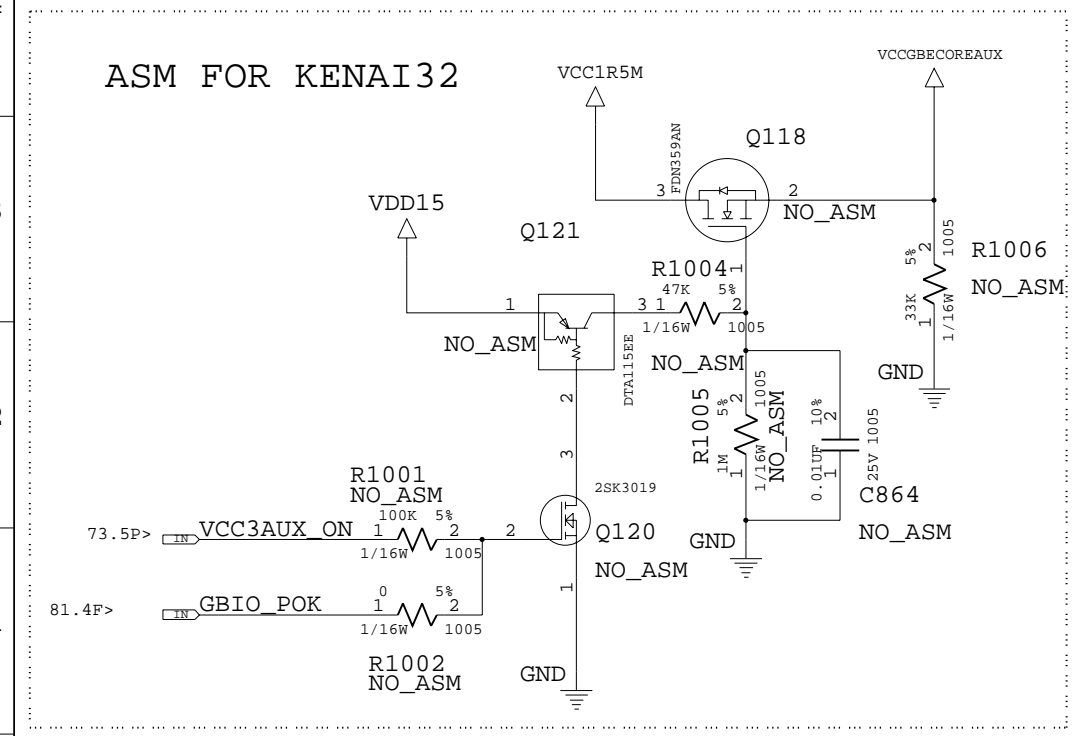
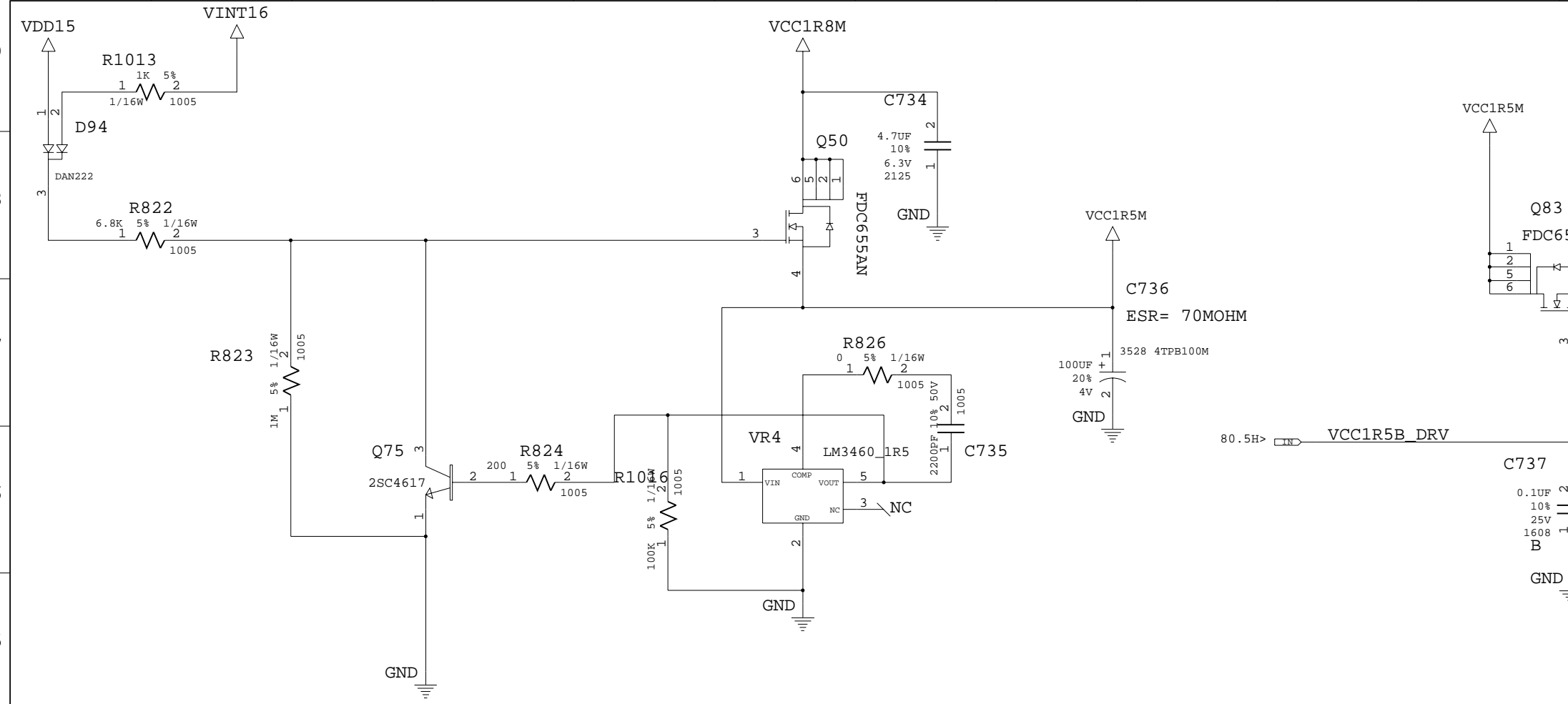


93P3976

DATE	EC NO.	PART NO.
05/13/03	J18095	93P3976
05/27/03	J18095A	DEVELOPMENT NO.
		Q/M
		78 / 83

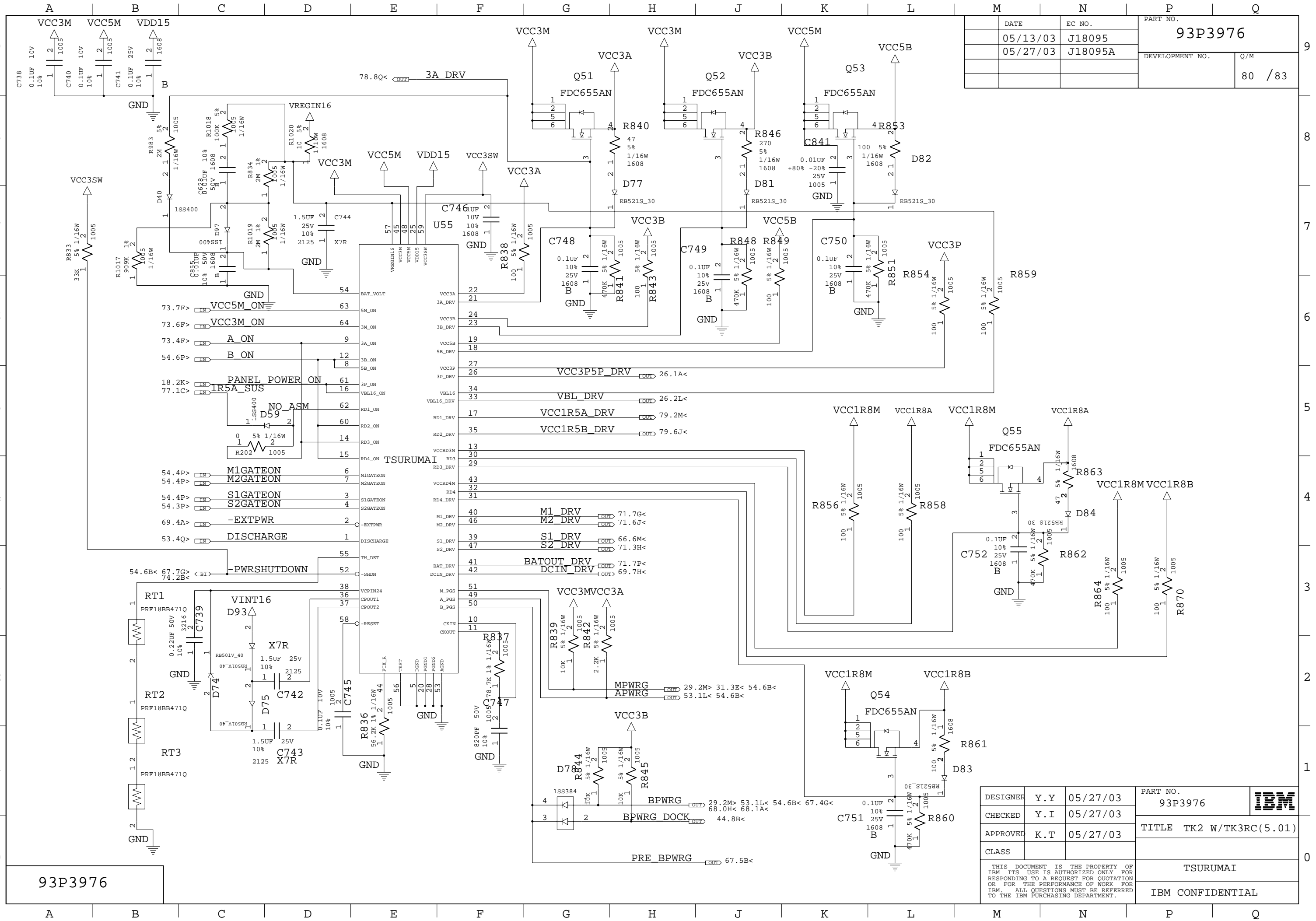
DESIGNER	Y.Y	05/27/03	PART NO.	93P3976	
CHECKED	Y.I	05/27/03	TITLE	TK2 W/TK3RC(5.01)	
APPROVED	K.T	05/27/03	CLASS	DCDC:VCC1R8M & VCCVIDEOCORE	
THIS DOCUMENT IS THE PROPERTY OF IBM ITS USE IS AUTHORIZED ONLY FOR RESPONDING TO A REQUEST FOR QUOTATION OR FOR THE PERFORMANCE OF WORK FOR IBM. ALL QUESTIONS MUST BE REFERRED TO THE IBM PURCHASING DEPARTMENT.					IBM CONFIDENTIAL

DATE	EC NO.	PART NO.	
05/13/03	J18095	93P3976	
05/27/03	J18095A	DEVELOPMENT NO.	Q/M
			79 /83



93P3976

DESIGNER	Y.Y	05/27/03	PART NO.	93P3976	
CHECKED	Y.I	05/27/03	TITLE		
APPROVED	K.T	05/27/03	CLASS	DCDC:VCC1R5M/A/B/AUX	
THIS DOCUMENT IS THE PROPERTY OF IBM ITS USE IS AUTHORIZED ONLY FOR RESPONDING TO A REQUEST FOR QUOTATION OR FOR THE PERFORMANCE OF WORK FOR IBM. ALL QUESTIONS MUST BE REFERRED TO THE IBM PURCHASING DEPARTMENT.					IBM CONFIDENTIAL



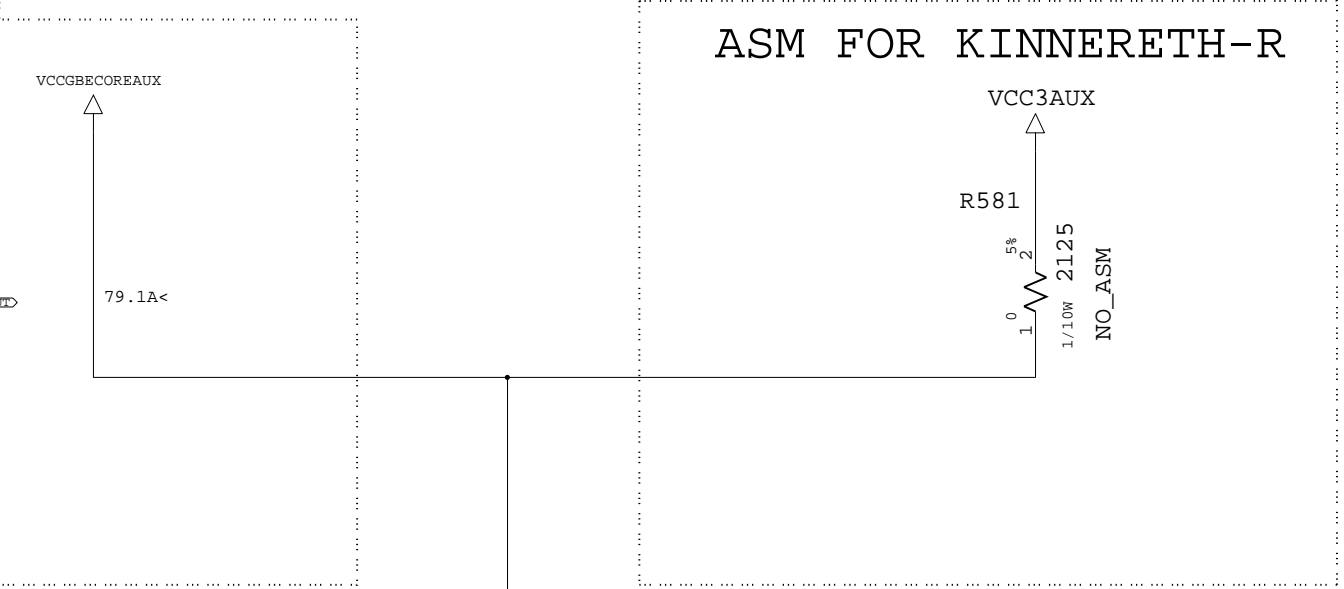
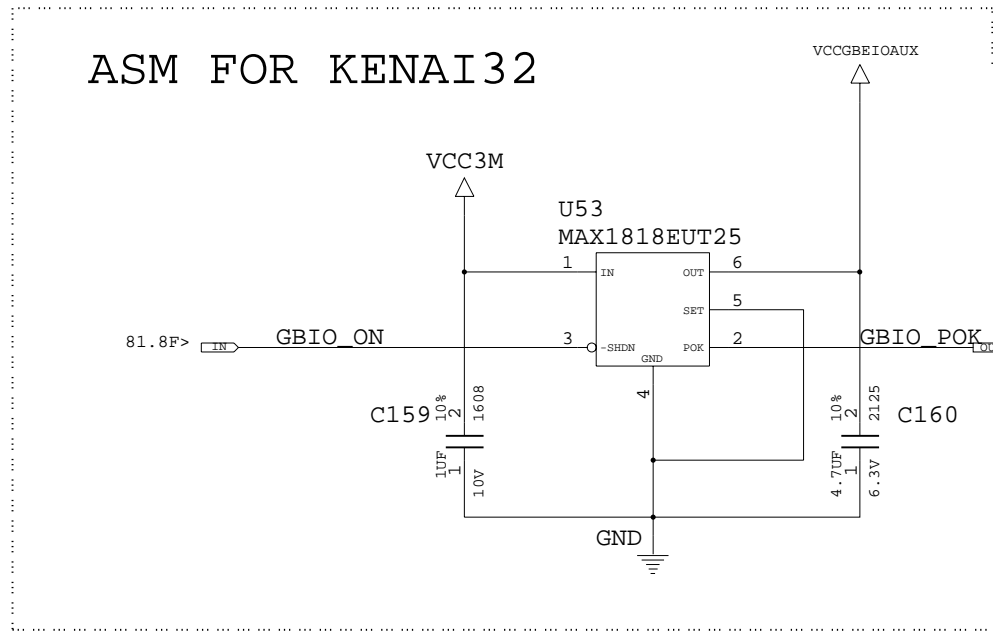
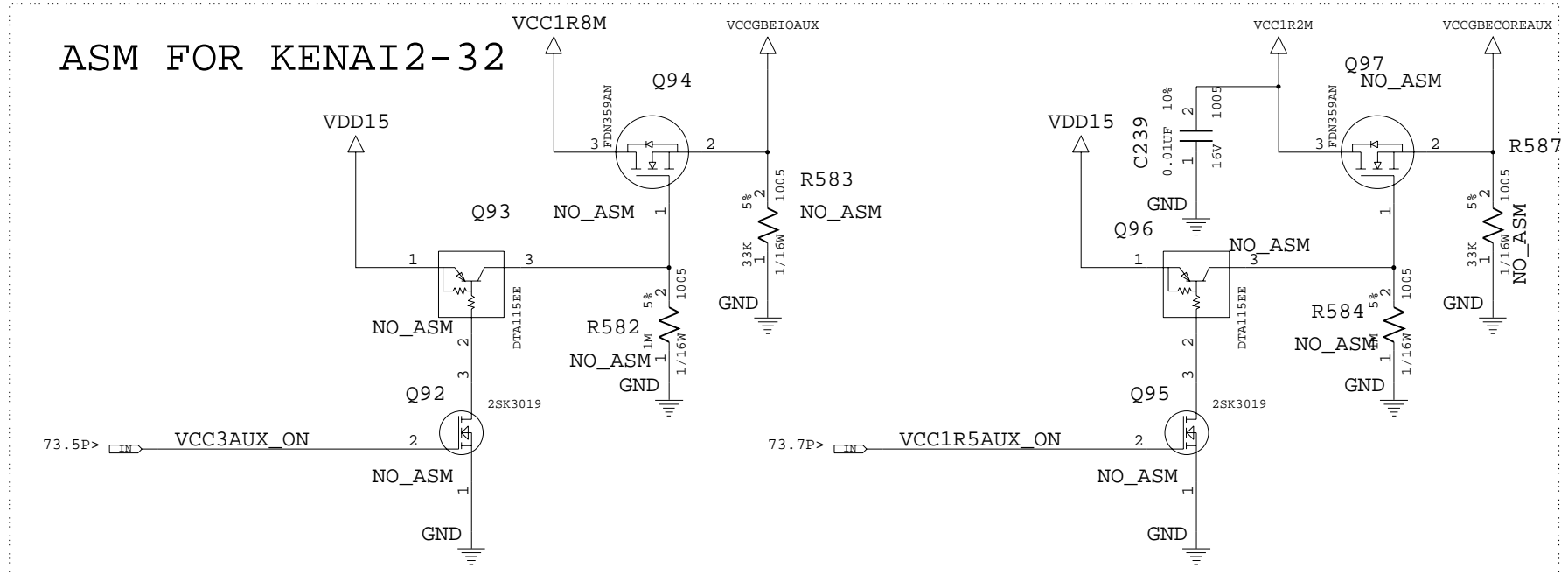
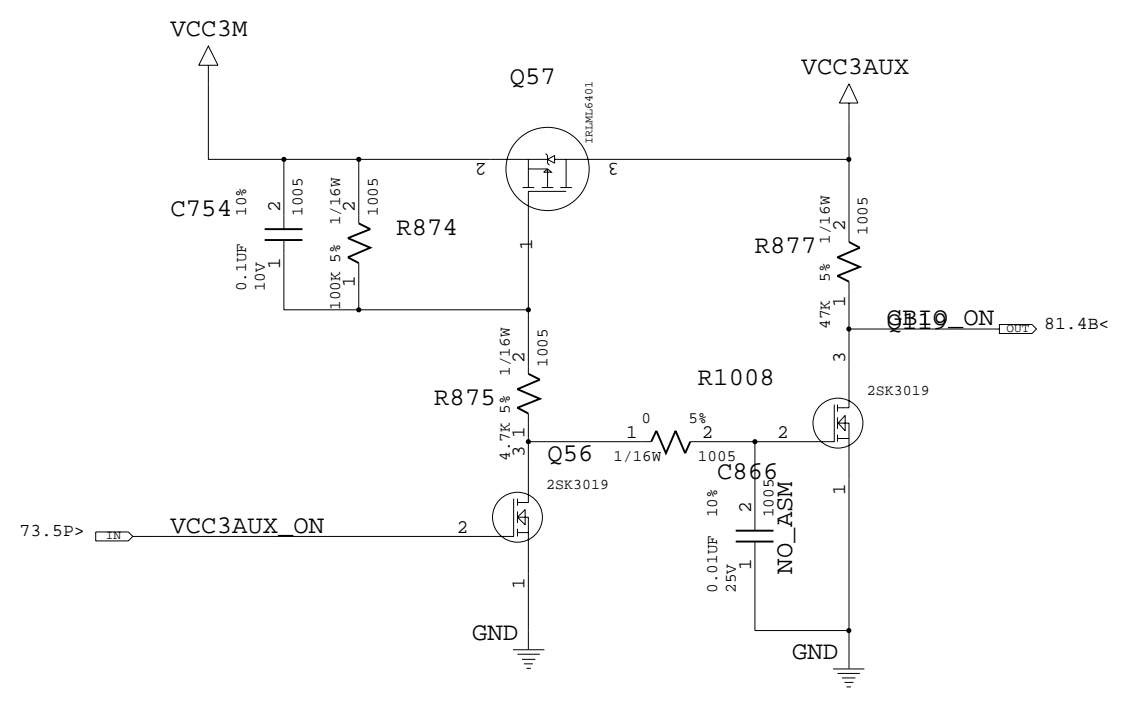
DATE	EC NO.	PART NO.	
05/13/03	J18095	93P3976	
05/27/03	J18095A	DEVELOPMENT NO.	Q/M
			80 / 83

93P3976

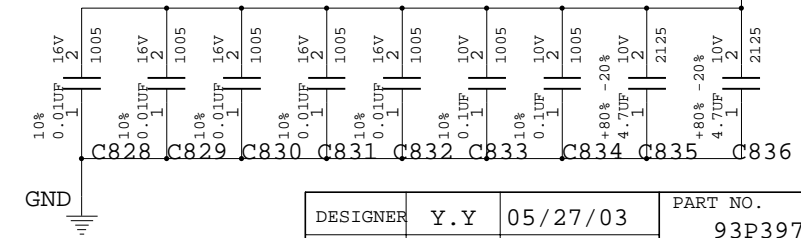
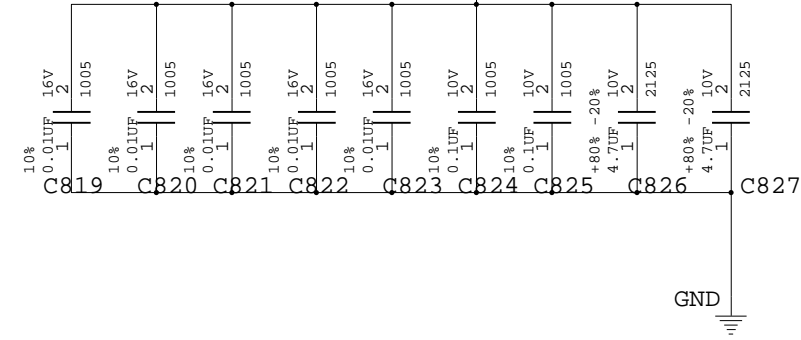
DESIGNER	Y.Y	05/27/03	PART NO.	93P3976	
CHECKED	Y.I	05/27/03	TITLE	TK2 W/TK3RC(5.01)	
APPROVED	K.T	05/27/03			
CLASS					
THIS DOCUMENT IS THE PROPERTY OF IBM ITS USE IS AUTHORIZED ONLY FOR RESPONDING TO A REQUEST FOR QUOTATION OR FOR THE PERFORMANCE OF WORK FOR IBM. ALL QUESTIONS MUST BE REFERRED TO THE IBM PURCHASING DEPARTMENT.					TSURUMAI
					IBM CONFIDENTIAL



DATE	EC NO.	PART NO.	
05/13/03	J18095	93P3976	
05/27/03	J18095A	DEVELOPMENT NO.	Q/M
			81 / 83



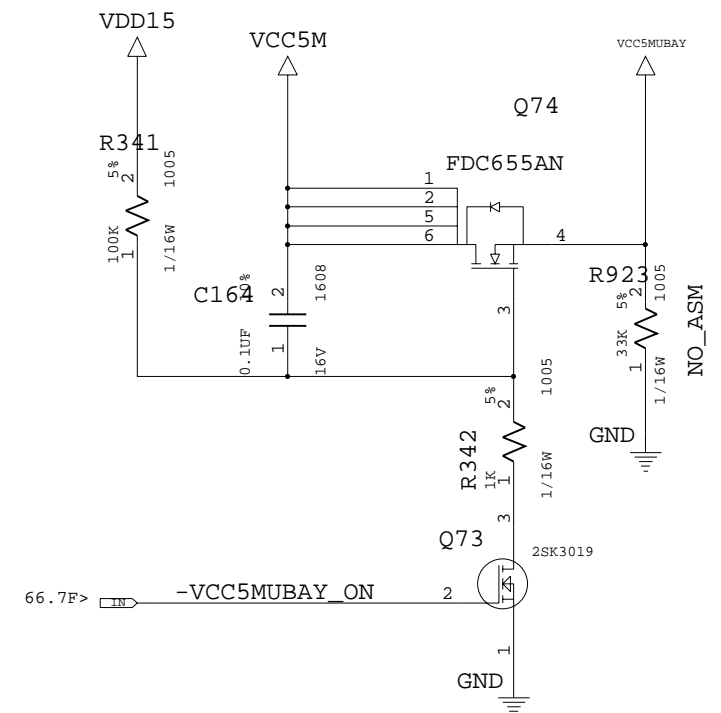
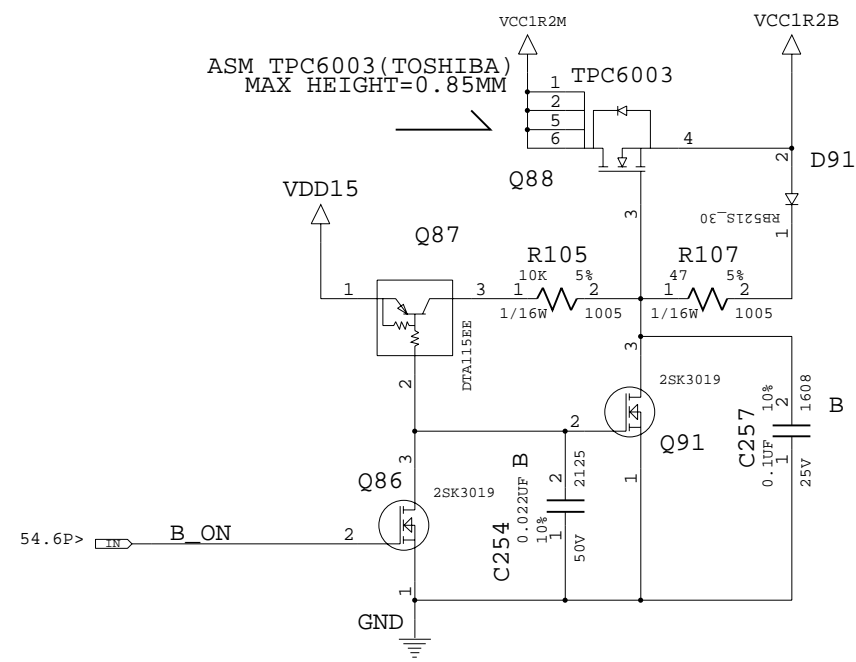
	KENAI32	KENAI2-32	KINNERETH-R
VCCGBECOREAUX	1.5V	1.2V	3.3V
VCCGBEIOAUX	2.5V	1.8V	N.C.



DESIGNER	Y.Y	05/27/03	PART NO.	93P3976	
CHECKED	Y.I	05/27/03	TITLE TK2 W/TK3RC(5.01)		
APPROVED	K.T	05/27/03	DCDC:VCC FOR GIGABIT ETHER		IBM CONFIDENTIAL
CLASS			THIS DOCUMENT IS THE PROPERTY OF IBM ITS USE IS AUTHORIZED ONLY FOR RESPONDING TO A REQUEST FOR QUOTATION OR FOR THE PERFORMANCE OF WORK FOR IBM. ALL QUESTIONS MUST BE REFERRED TO THE IBM PURCHASING DEPARTMENT.		

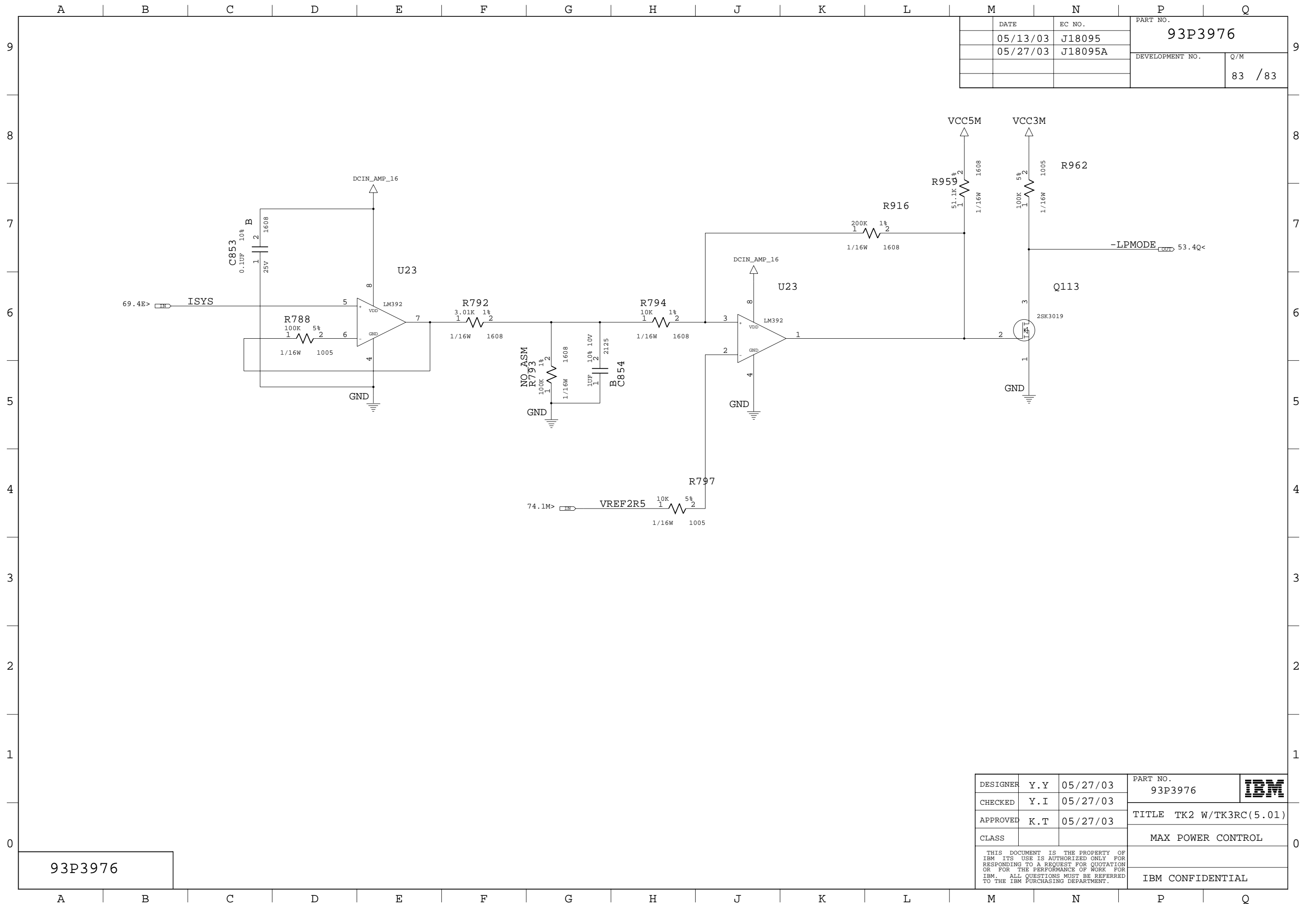
93P3976

DATE		EC NO.		PART NO.	
05/13/03		J18095		93P3976	
05/27/03		J18095A		DEVELOPMENT NO.	
				Q/M	
				82 /83	



93P3976

DESIGNER	Y.Y	05/27/03	PART NO.	93P3976	<b>IBM</b>
CHECKED	Y.I	05/27/03	TITLE		
APPROVED	K.T	05/27/03	CLASS	LOAD SW	
THIS DOCUMENT IS THE PROPERTY OF IBM ITS USE IS AUTHORIZED ONLY FOR RESPONDING TO A REQUEST FOR QUOTATION OR FOR THE PERFORMANCE OF WORK FOR IBM. ALL QUESTIONS MUST BE REFERRED TO THE IBM PURCHASING DEPARTMENT.				IBM CONFIDENTIAL	



DATE	EC NO.	PART NO.	
05/13/03	J18095	93P3976	
05/27/03	J18095A	DEVELOPMENT NO.	Q/M
			83 / 83

93P3976

DESIGNER	Y.Y	05/27/03	PART NO.	93P3976	<b>IBM</b>
CHECKED	Y.I	05/27/03	TITLE		
APPROVED	K.T	05/27/03	CLASS	MAX POWER CONTROL	
THIS DOCUMENT IS THE PROPERTY OF IBM ITS USE IS AUTHORIZED ONLY FOR RESPONDING TO A REQUEST FOR QUOTATION OR FOR THE PERFORMANCE OF WORK FOR IBM. ALL QUESTIONS MUST BE REFERRED TO THE IBM PURCHASING DEPARTMENT.				IBM CONFIDENTIAL	