

1	2	3	4	5	6	7	8
THIS DRAWING AND SPECIFICATIONS, HEREIN, ARE THE PROPERTY OF INVENTEC CORPORATION AND SHALL NOT BE REPRODUCED, COPIED, OR USED IN WHOLE OR IN PART WITHOUT WRITTEN PERMISSION, INVENTEC CORPORATION 2009 ALL RIGHT RESERVED							

# Timex

## MV Build

2009/04/16

CHANGE NO.		

DRAWER	EE	DATE		POWER			<b>INVENTEC</b>
CHECK DESIGN							
RESPONSIBLE				TITLE	<b>TIMEX</b>		
SIZE	XXXX-XXXXXX-XX						
	XXXXXXXXXXXXXX			VER.			
FILE NAME	P/N				SIZE	COLOR	DOC. NUMBER
					A3	CS	19104222000-MTR
							REV
							A02
							65

DATE	1	REV	2
------	---	-----	---

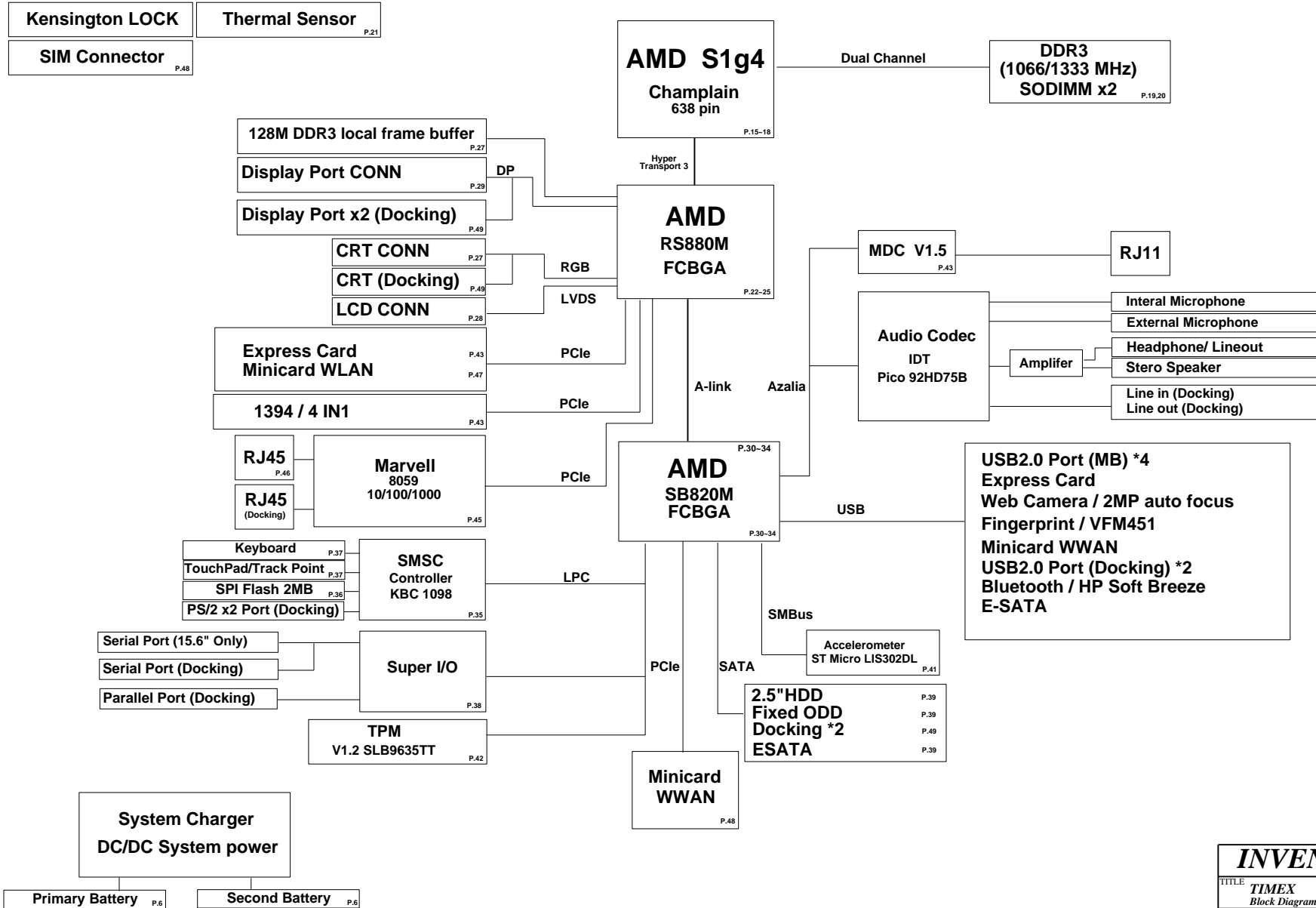
## Index Of Content

PAGE	PAGE	
01- Project Name	27- CRT	52- 7 IN 1 & USB & 1394-1
02- Index	28- LCM	53- 7 IN 1 & USB & 1394-2
03- Block Diagram	29- DisplayPort	54- ODD EXTENSION BOARD
04- Power Procedure	30- SB820M-1	55- SERIAL BOARD
05- DC & BATTERY CHARGER	31- SB820M-2	56- POWER BUTTON
06- Battery CONN & TRAVEL Battery CONN	32- SB820M-3	57- AUDIO BOARD-1
07- +V5A & +V3A	33- SB820M-4	58- AUDIO BOARD-2
08- +V1.1A	34- SB820M-5	59- AUDIO BOARD-3
09- +V1.5 & +V1.8S	35- KBC 1098	60- AUDIO BOARD-4
10- +VDD_CORE & VDDNB_CORE	36- SPI	61- AUDIO BOARD-5
11- +VCC_NB & CPU_DDR	37- Keyboard CONN, Stickpoint CONN	62- CAP SENSOR BOARD 14" (SMSC)
12- +V3S, +V5S, +V1.5S, +V1.1S	38- SUPER IO	63- CAP SENSOR BOARD 15" (SMSC)
13- OCP	39- ESATA, HDD, ODD	64- BLANK
15- CPU-1	40- USB CONN	65- BLANK
16- CPU-2	41- Accelerometer	
17- CPU-3	42- TPM V1.2	
18- CPU-4	43- 7 in 1, MDC , ExpressCard CONN	
19- DDR3 DIMM0	44- FingerPrint , Bluetooth CONN , SwitchBoard CONN	
20- DDR3 DIMM1	45- LAN	
21- FAN & Thermal IC	46- RJ45 CONN	
22- RS880M-1	47- WLAN CONN	
23- RS880M-2	48- WWAN CONN , SIM CONN	
24- RS880M-3	49- DOCK	
25- RS880M-4	50- SCREW	
26- 64M Local Frame Buffer	51- EMI SOLUTION	

**INVENTEC**

TITLE <b>TIMEX</b> Index			
SIZE <b>A3</b>	CODE <b>CS</b>	DOC. NUMBER <b>J310A2326802</b>	REV <b>A02</b>
CHANGE by <b>KEVIN HSIAO</b>		28-Jan-2010	
SHEET		2	OF 65

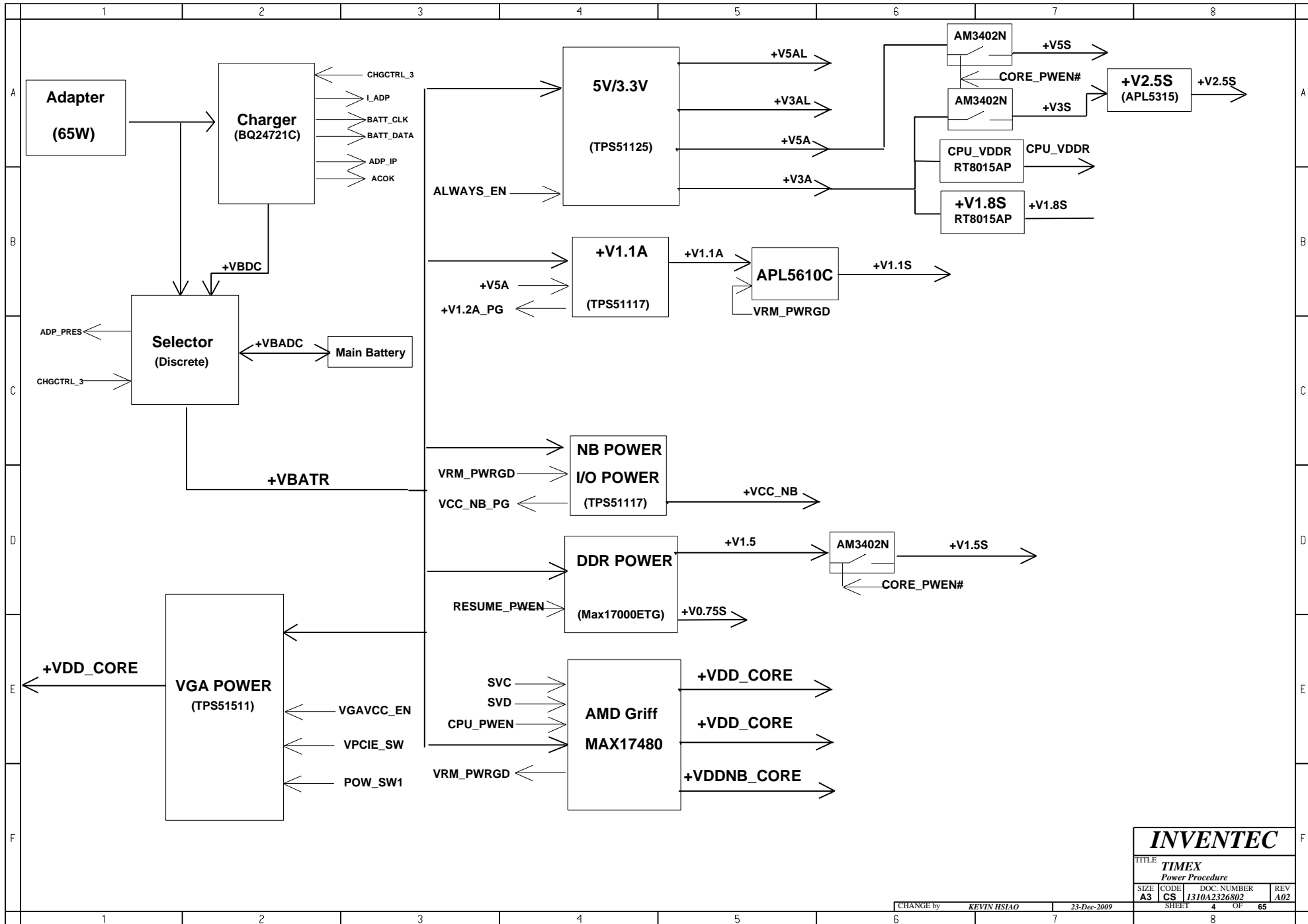
# Inventec Confidential



**INVENTEC**

TITLE <b>TIMEX</b>			
Block Diagram			
SIZE <b>A3</b>	CODE <b>CS</b>	DOC. NUMBER <b>J310A2326802</b>	REV <b>A02</b>
SHEET <b>3</b>		OF <b>65</b>	

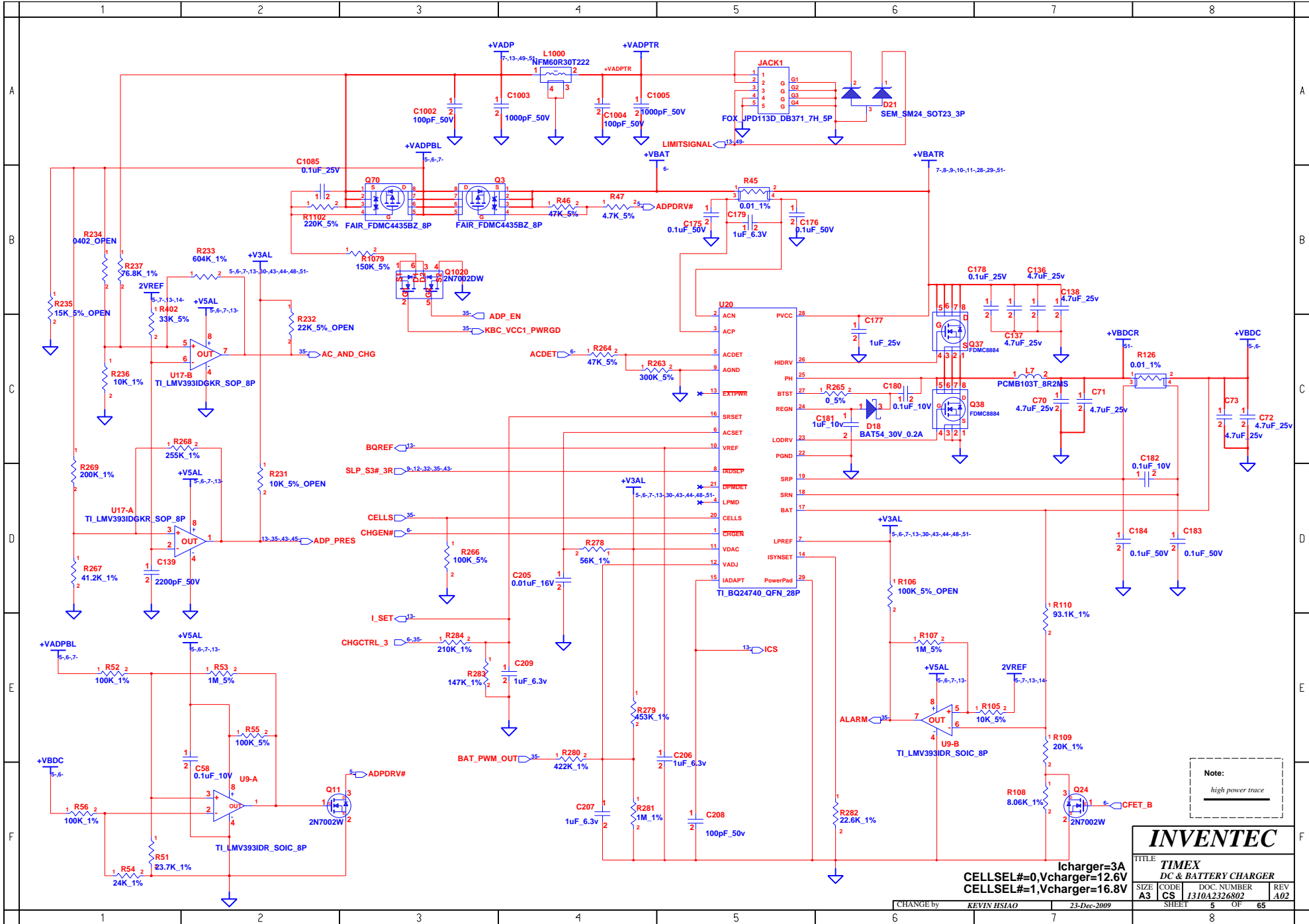
CHANGE by **KEVIN HSIAO** 23-Dec-2009

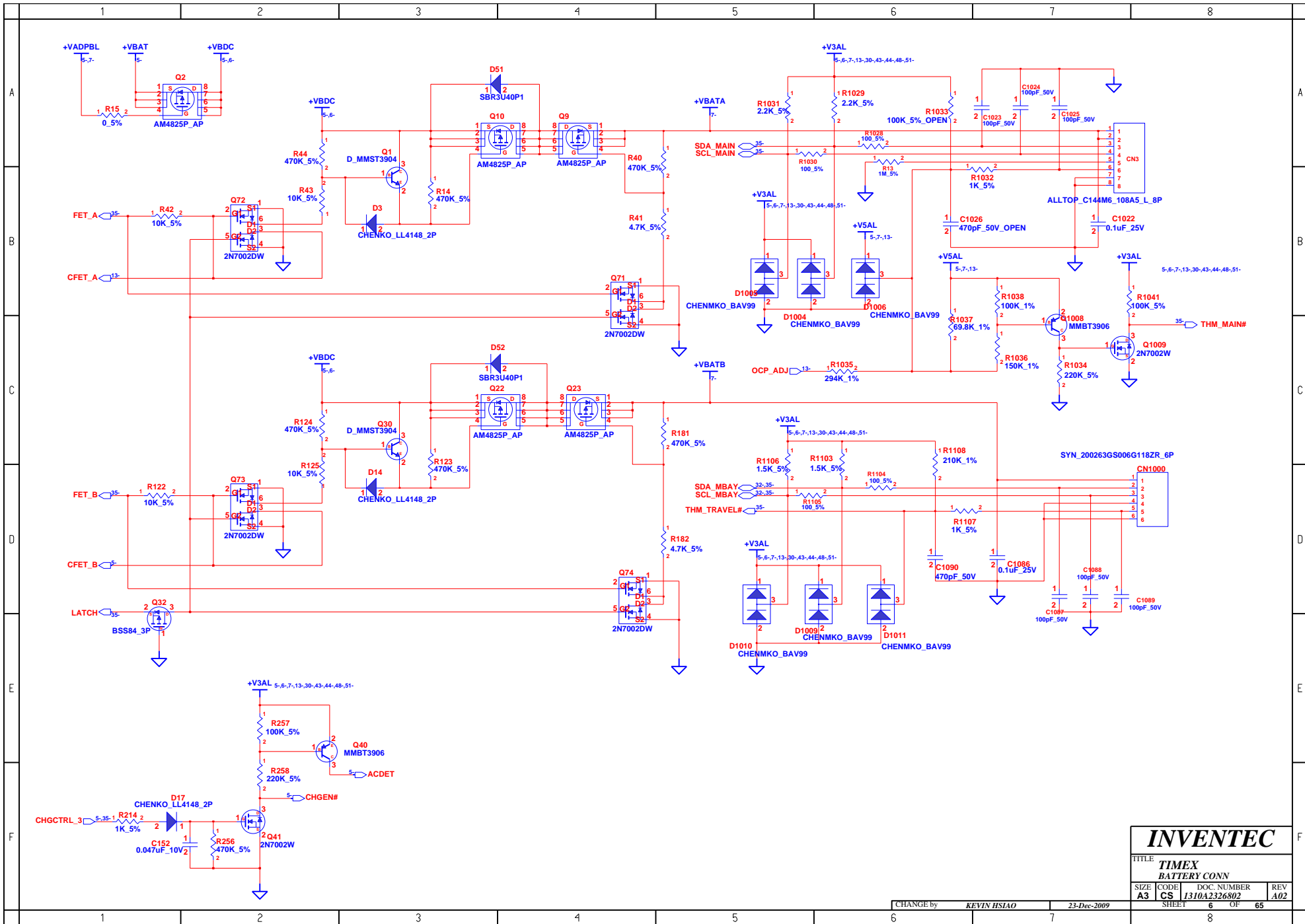


**INVENTEC**

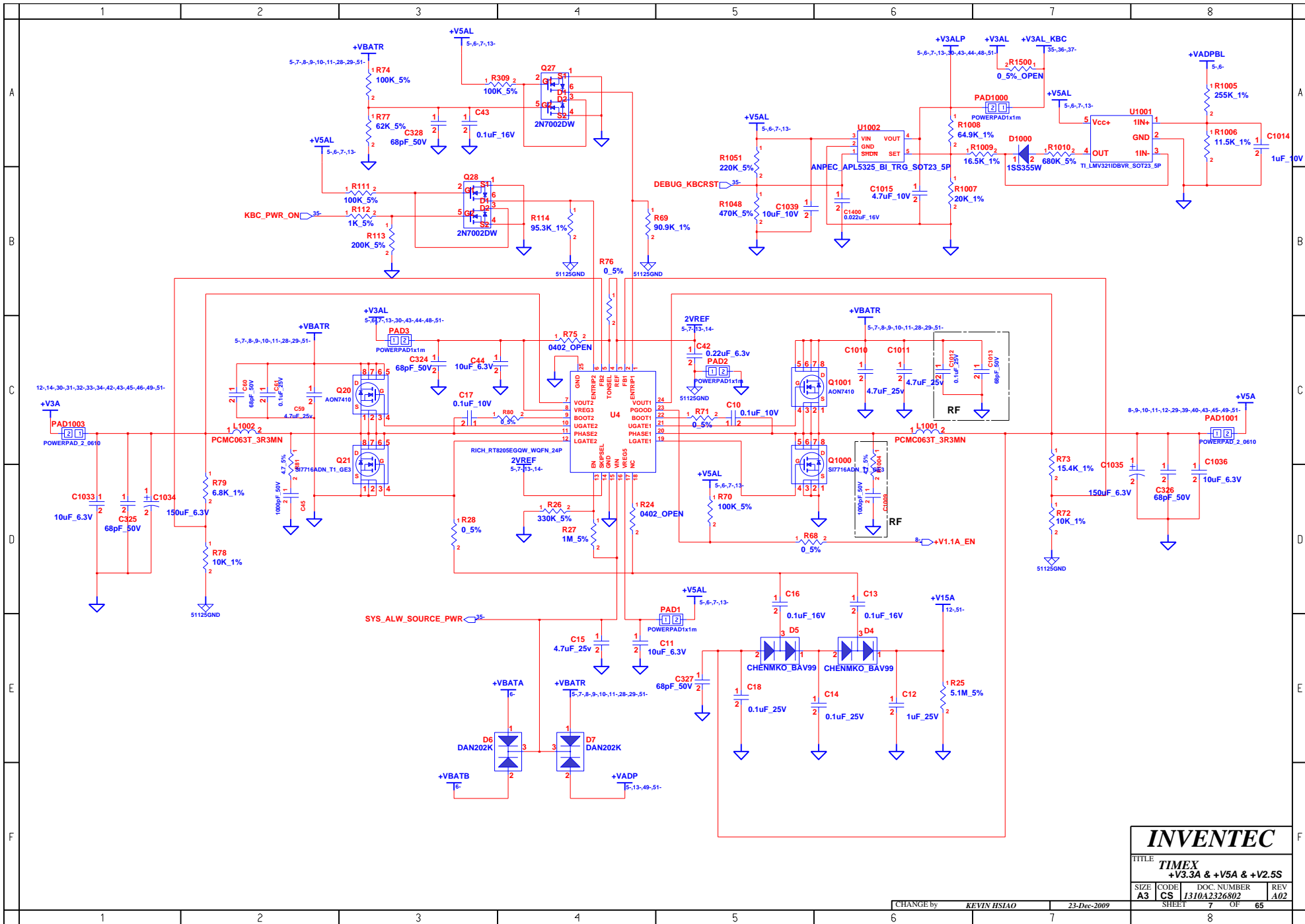
TITLE			
TIMEX			
Power Procedure			
SIZE	CODE	DOC. NUMBER	REV
A3	CS	J310A2326802	A02
SHEET		OF	
4		65	

CHANGE by KEVIN HSIAO 23-Dec-2009

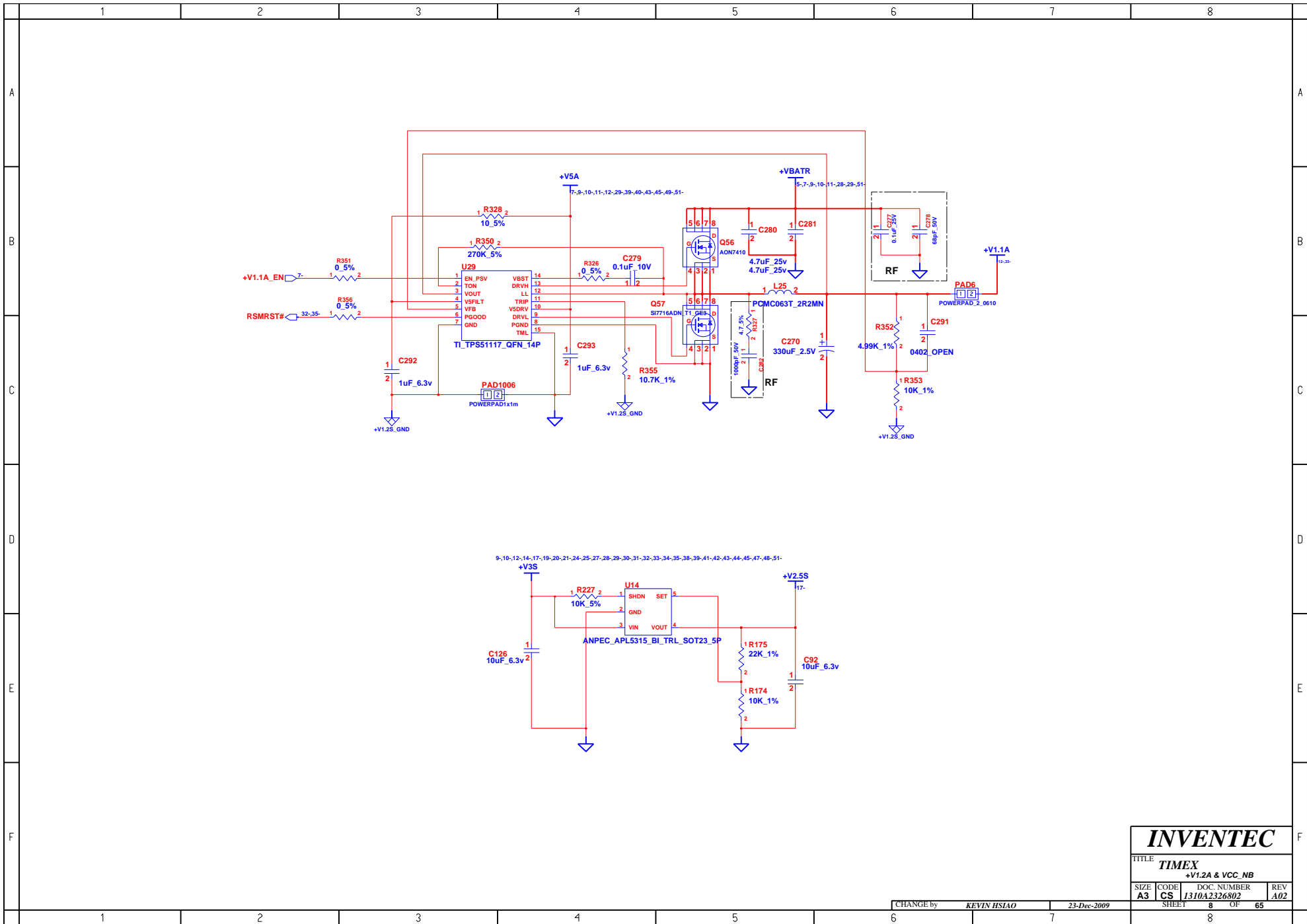




<b>INVENTEC</b>			
TITLE <b>TIMEX BATTERY CONN</b>			
SIZE <b>A3</b>	CODE <b>CS</b>	DOC NUMBER <b>I310A2326802</b>	REV <b>A02</b>
CHANGE by <b>KEVIN HSIAO</b>		23-Dec-2009	
SHEET <b>6</b>		OF <b>65</b>	



<b>INVENTEC</b>			
TITLE: <b>TIMEX</b>			
<b>+V3.3A &amp; +V5A &amp; +V2.5S</b>			
SIZE	CODE	DOC NUMBER	REV
A3	CS	J310A2326802	A02
CHANGE by		23-Dec-2009	
SHEET		7 OF 65	

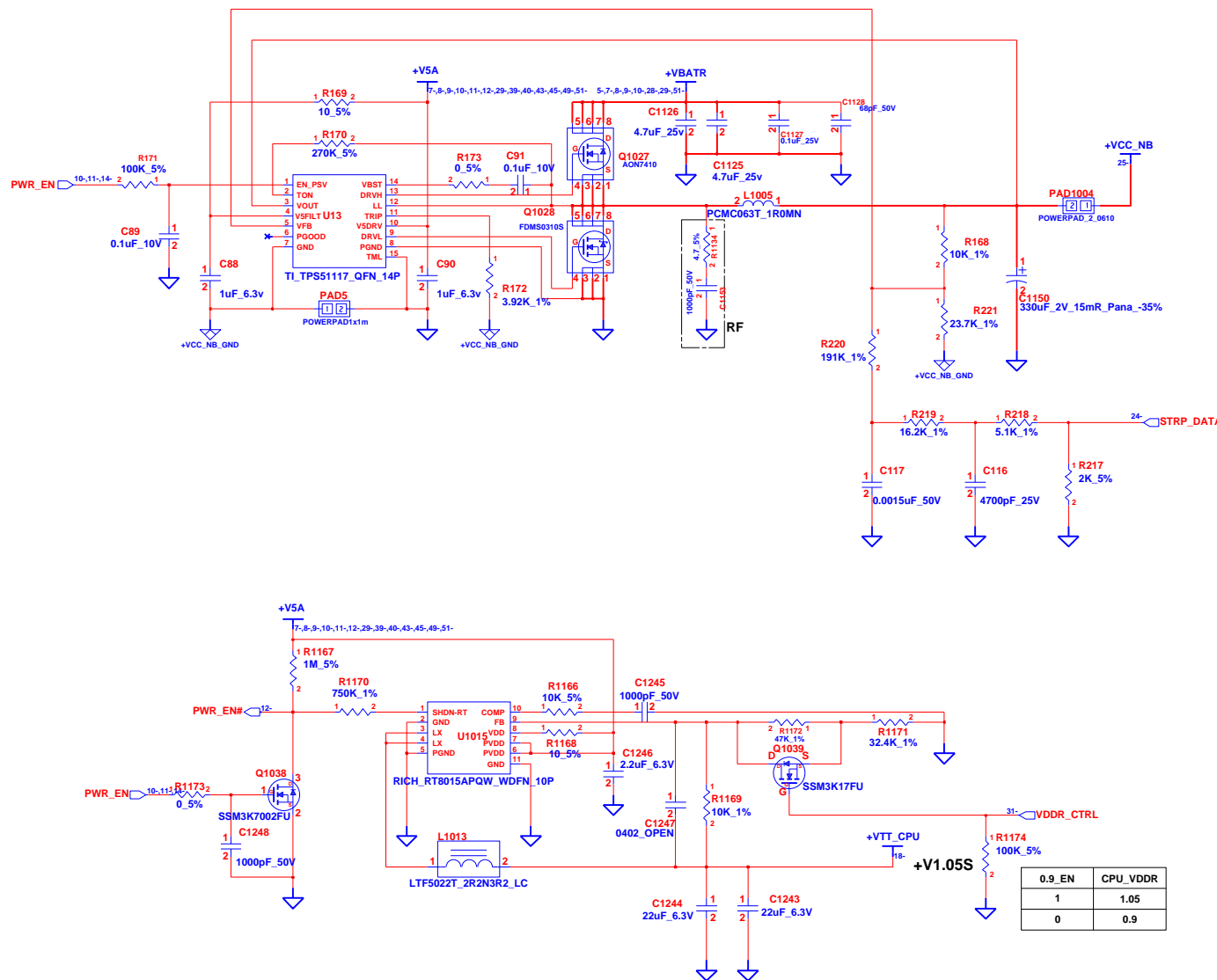


<b>INVENTEC</b>			
TITLE <b>TIMEX</b>			
+V1.2A & VCC_NB			
SIZE	CODE	DOC NUMBER	REV
A3	CS	J310A2326802	A02
CHANGE by <b>KEVIN HSIAO</b>		23-Dec-2009	
SHEET		8	OF 65









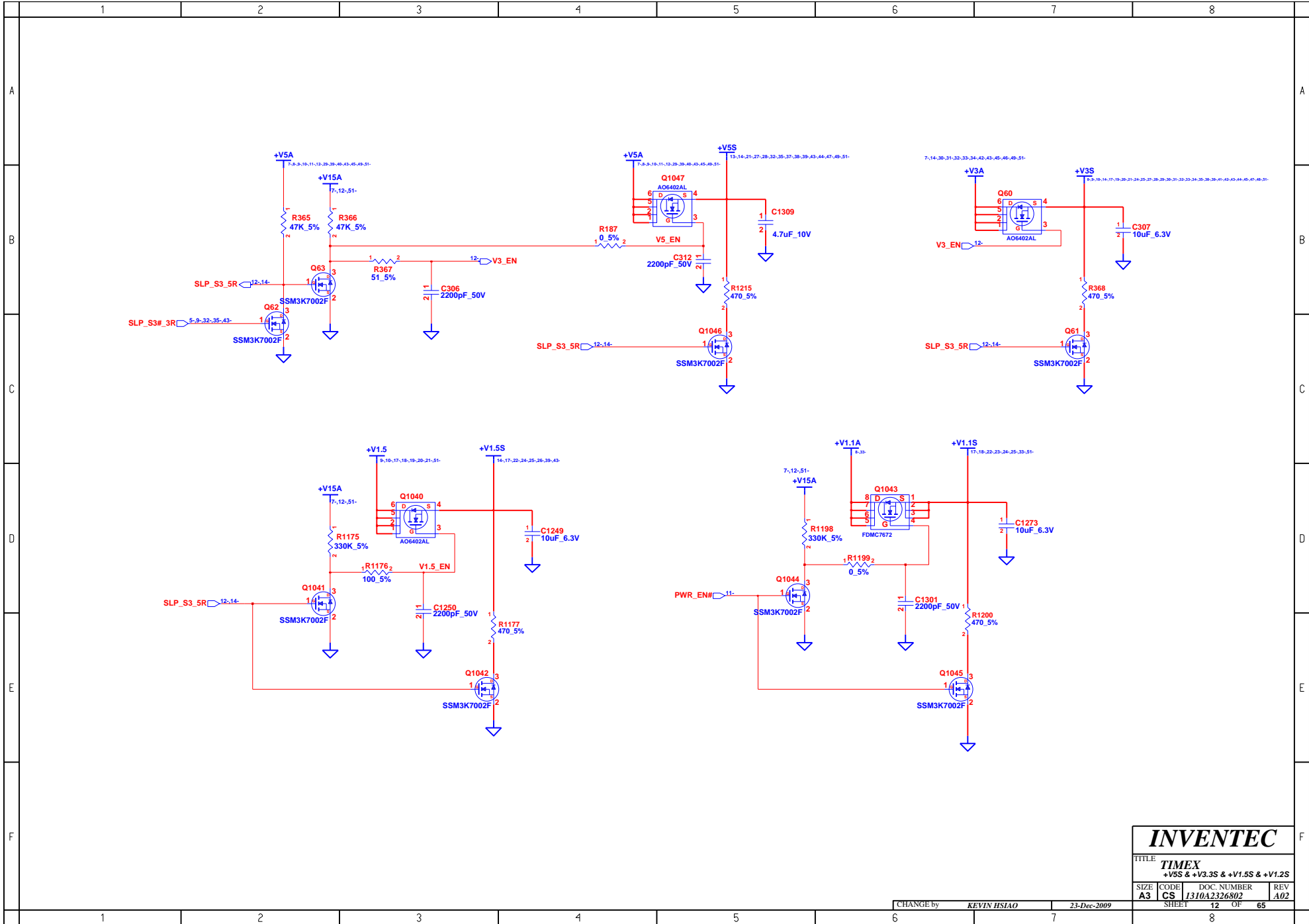
STRP_DATA	VCC_NB
0	1.1
1	0.95

0.9_EN	CPU_VDDR
1	1.05
0	0.9

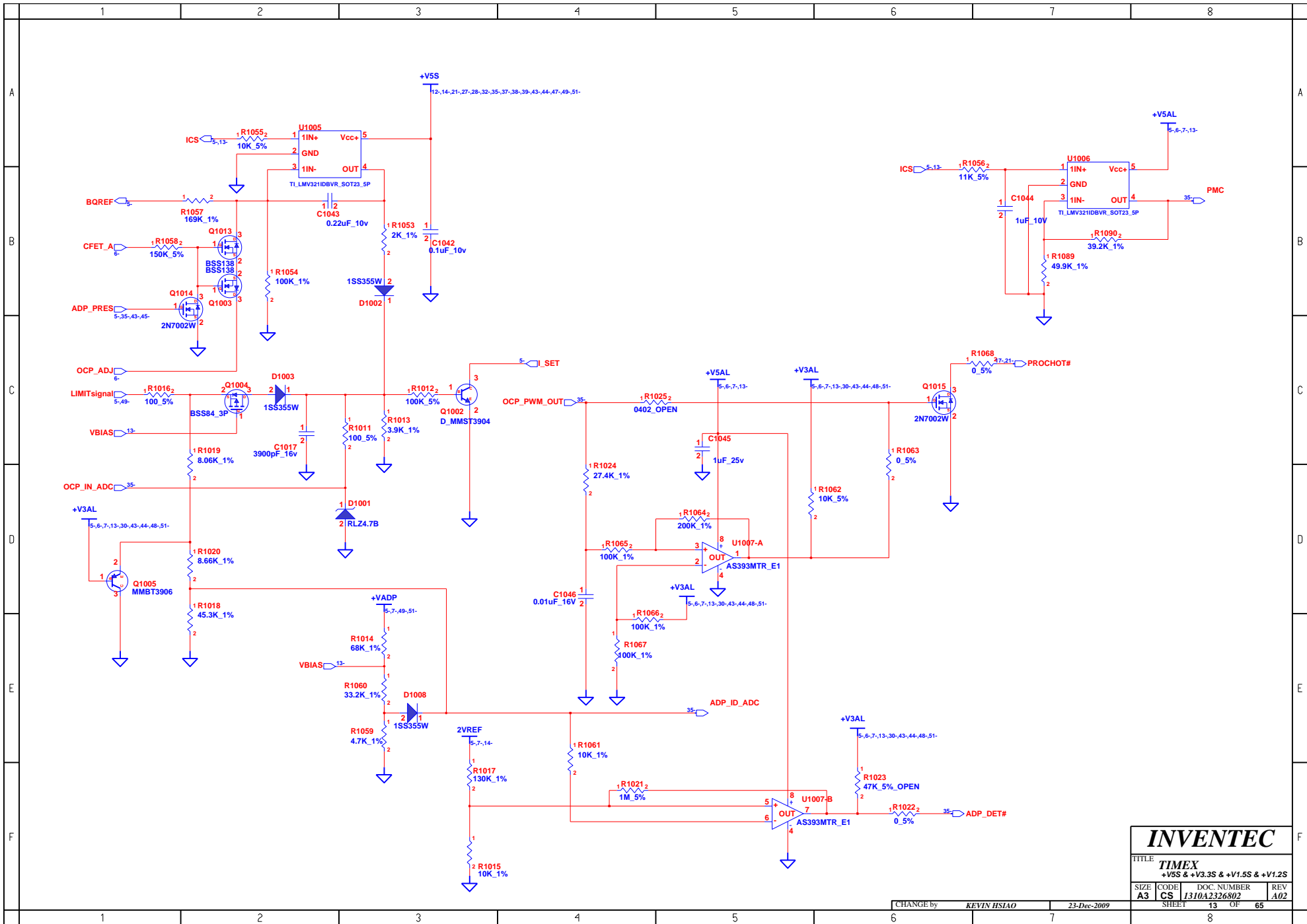
**INVENTEC**

TITLE: **TIMEX**

SIZE: <b>A3</b>	CODE: <b>CS</b>	DOC. NUMBER: <b>1310A2326802</b>	REV: <b>A02</b>
CHANGE by: <b>KEVIN HSIAO</b>		23-Dec-2009	
SHEET: <b>11</b>		OF: <b>65</b>	



<b>INVENTEC</b>			
TITLE <b>TIMEX</b>			
+V5S & +V3.3S & +V1.5S & +V1.2S			
SIZE <b>A3</b>	CODE <b>CS</b>	DOC. NUMBER <b>J310A2326802</b>	REV <b>A02</b>
CHANGE by <b>KEVIN HSIAO</b>		23-Dec-2009	SHEET <b>12</b> OF <b>65</b>

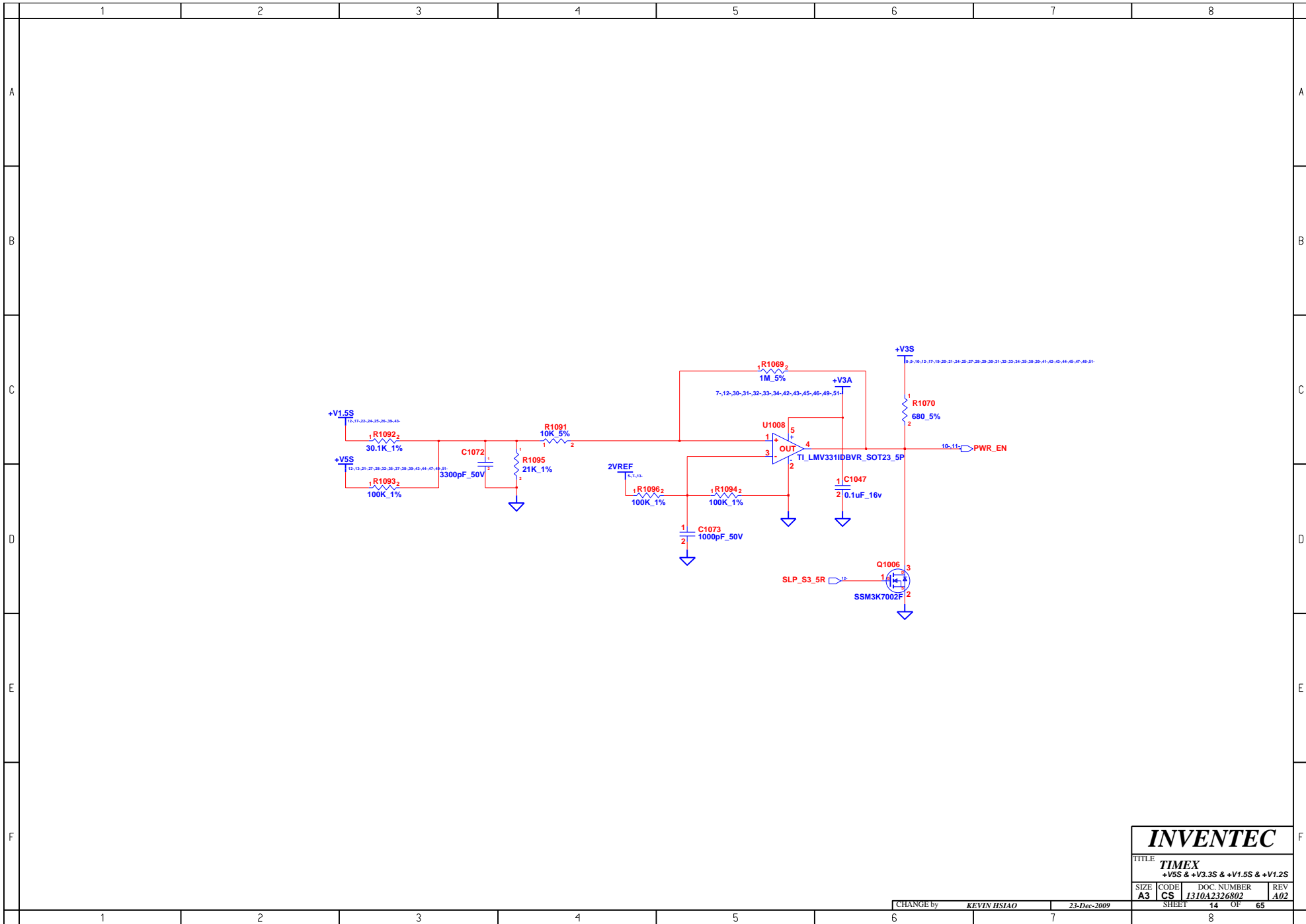


**INVENTEC**

TITLE **TIMEX**  
 +VSS & +V3.3S & +V1.5S & +V1.2S

SIZE	CODE	DOC NUMBER	REV
A3	CS	J310A2326802	A02
SHEET		13 OF 65	

CHANGE by KEVIN HSIAO 23-Dec-2009



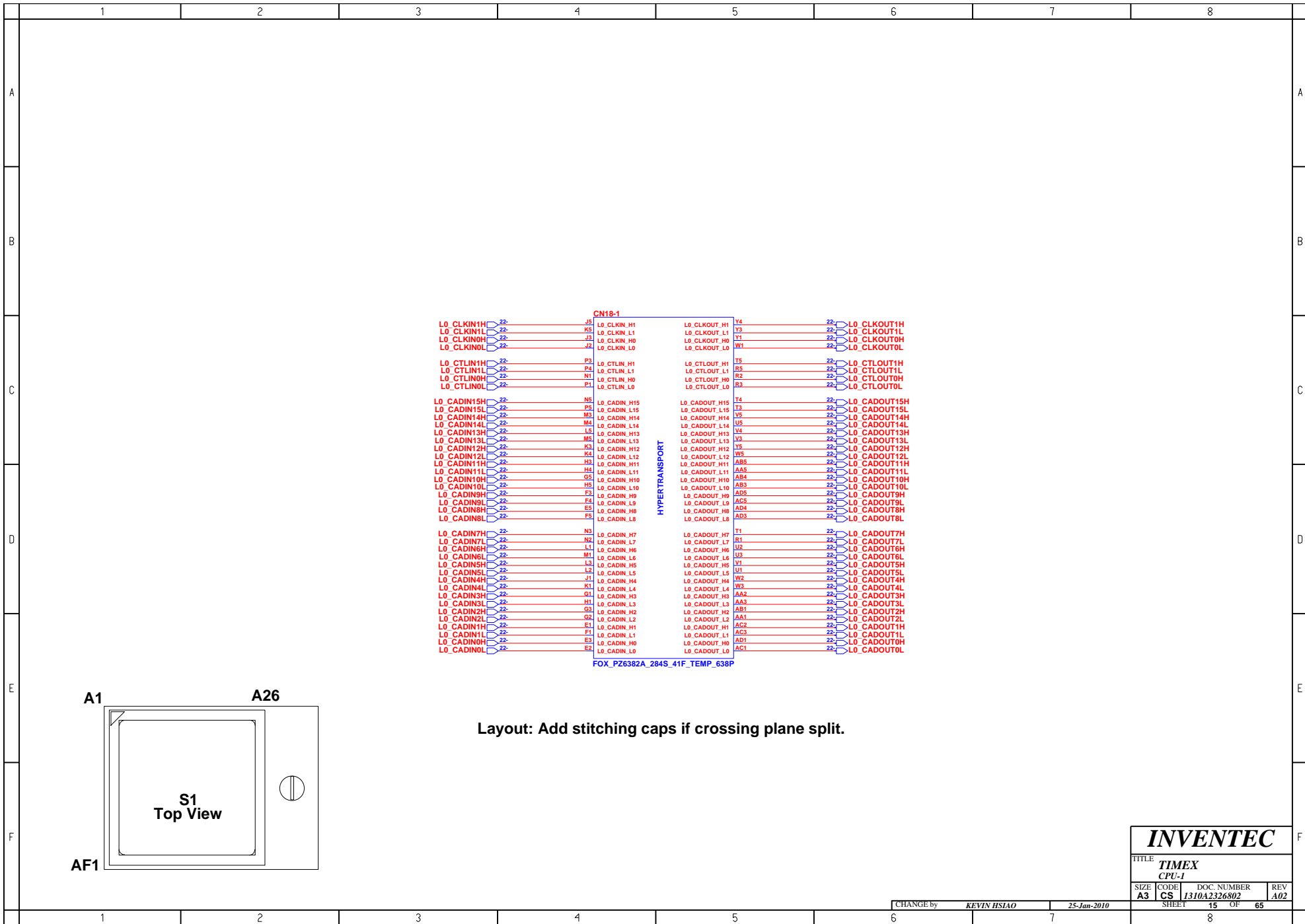
**INVENTEC**

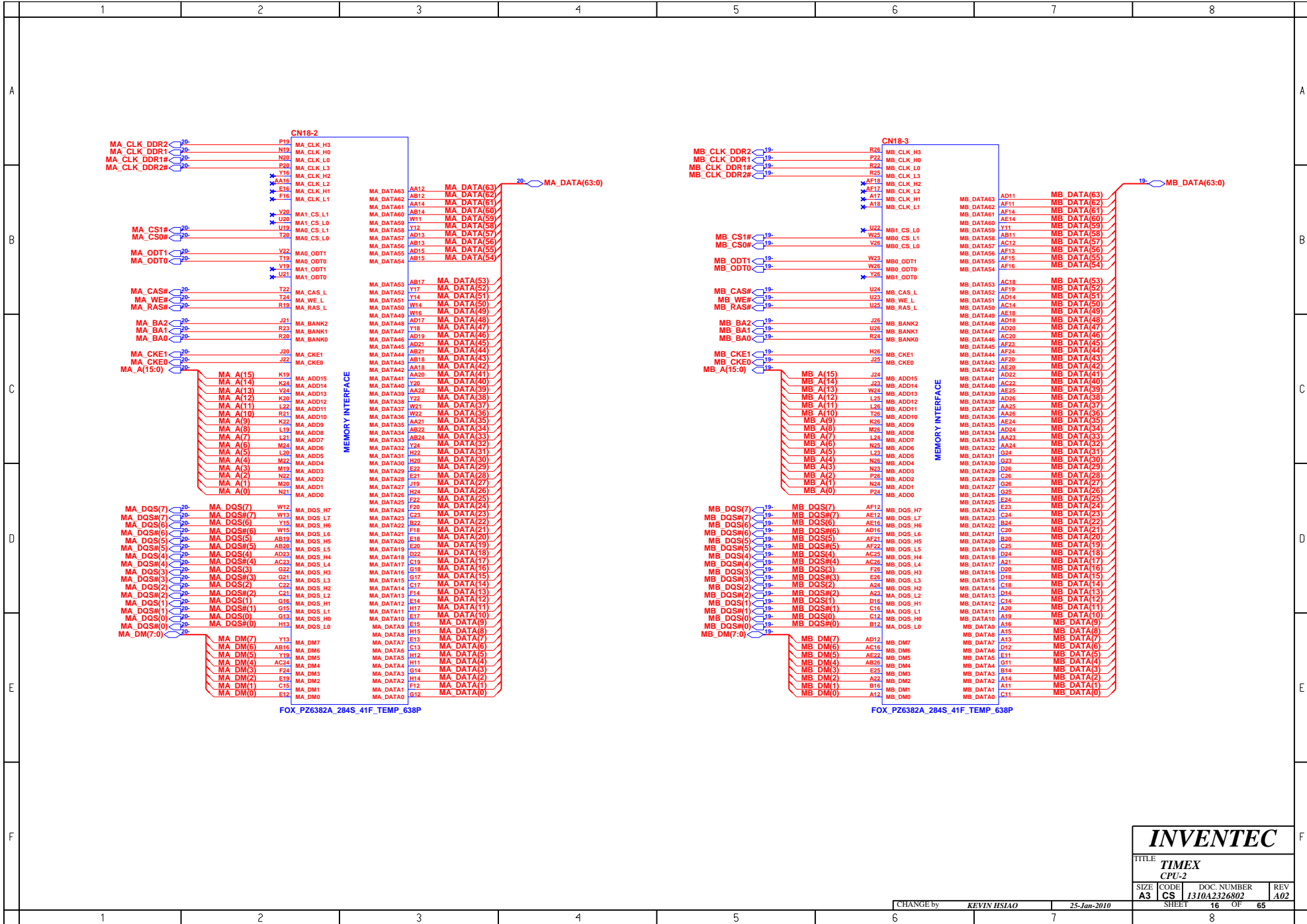
TITLE **TIMEX**  
**+VSS & +V3.3S & +V1.5S & +V1.2S**

SIZE	CODE	DOC. NUMBER	REV
A3	CS	1310A2326802	A02

CHANGE by KEVIN HSIAO 23-Dec-2009

SHEET 14 OF 65





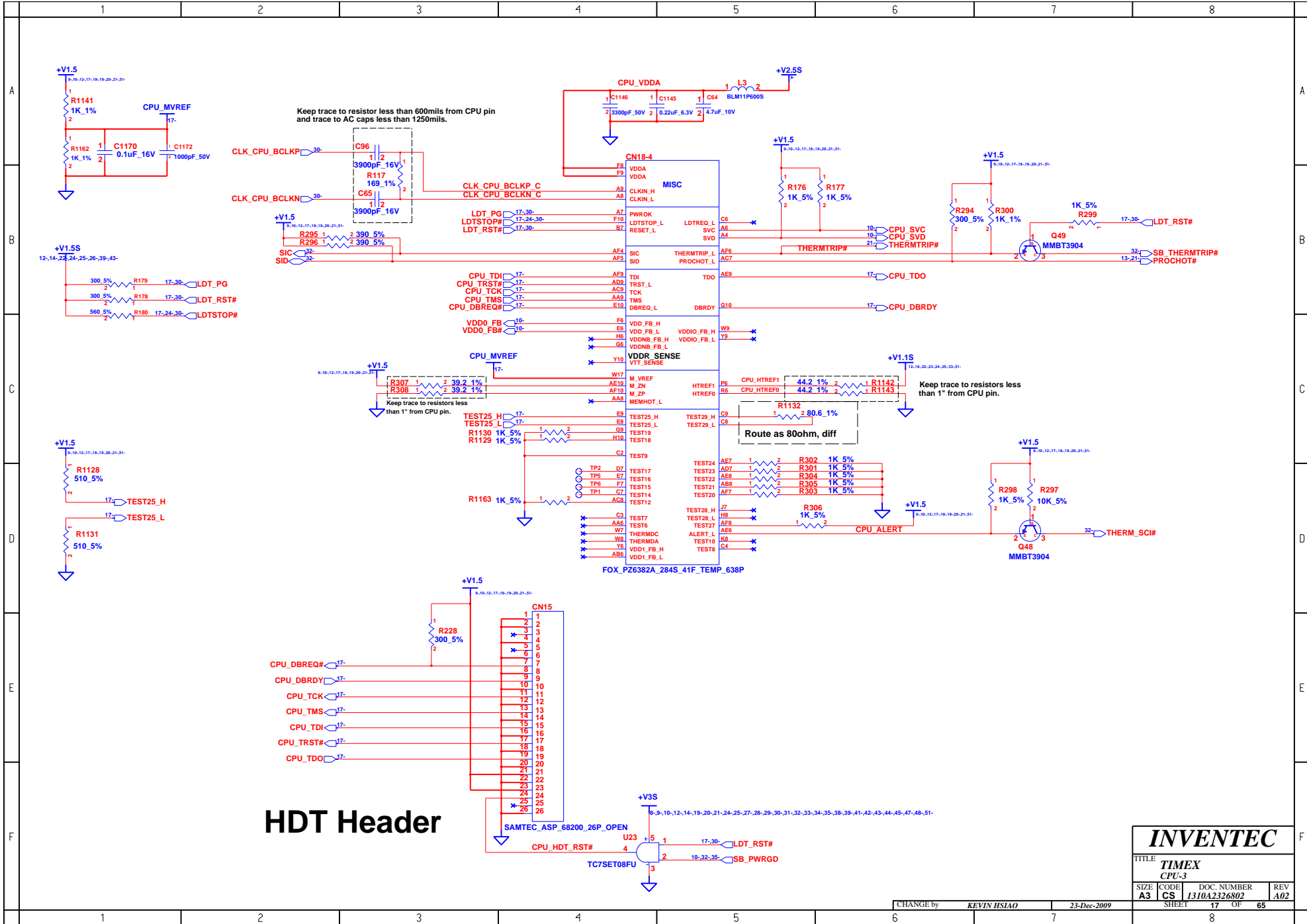
**INVENTEC**

TITLE **TIMEX CPU-2**

SIZE <b>A3</b>	CODE <b>CS</b>	DOC. NUMBER <b>1310A2326802</b>	REV <b>A02</b>
SHEET <b>16</b>		OF <b>65</b>	

CHANGE by **KEVIN HSIAO** 25-Jan-2010



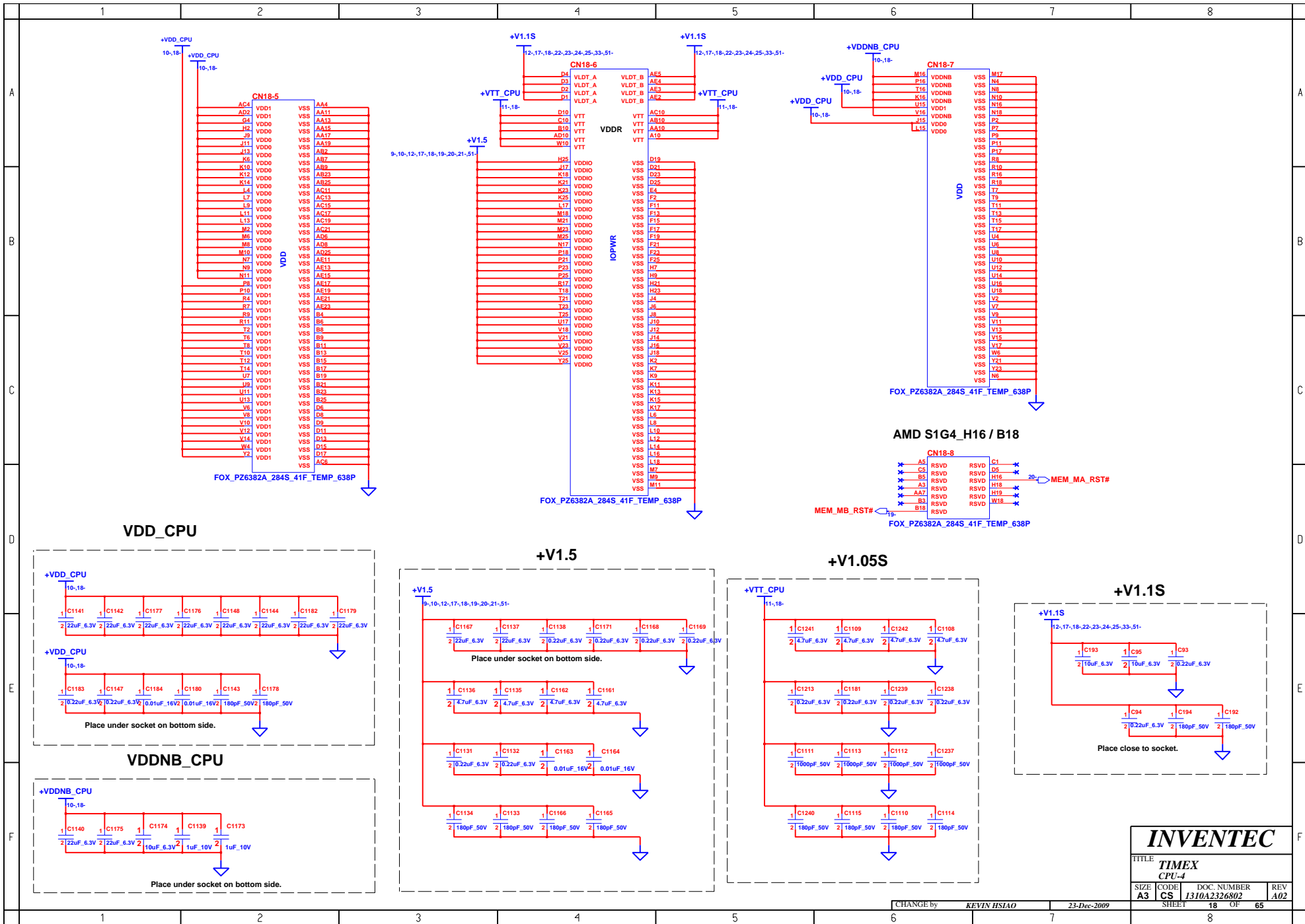


**HDT Header**

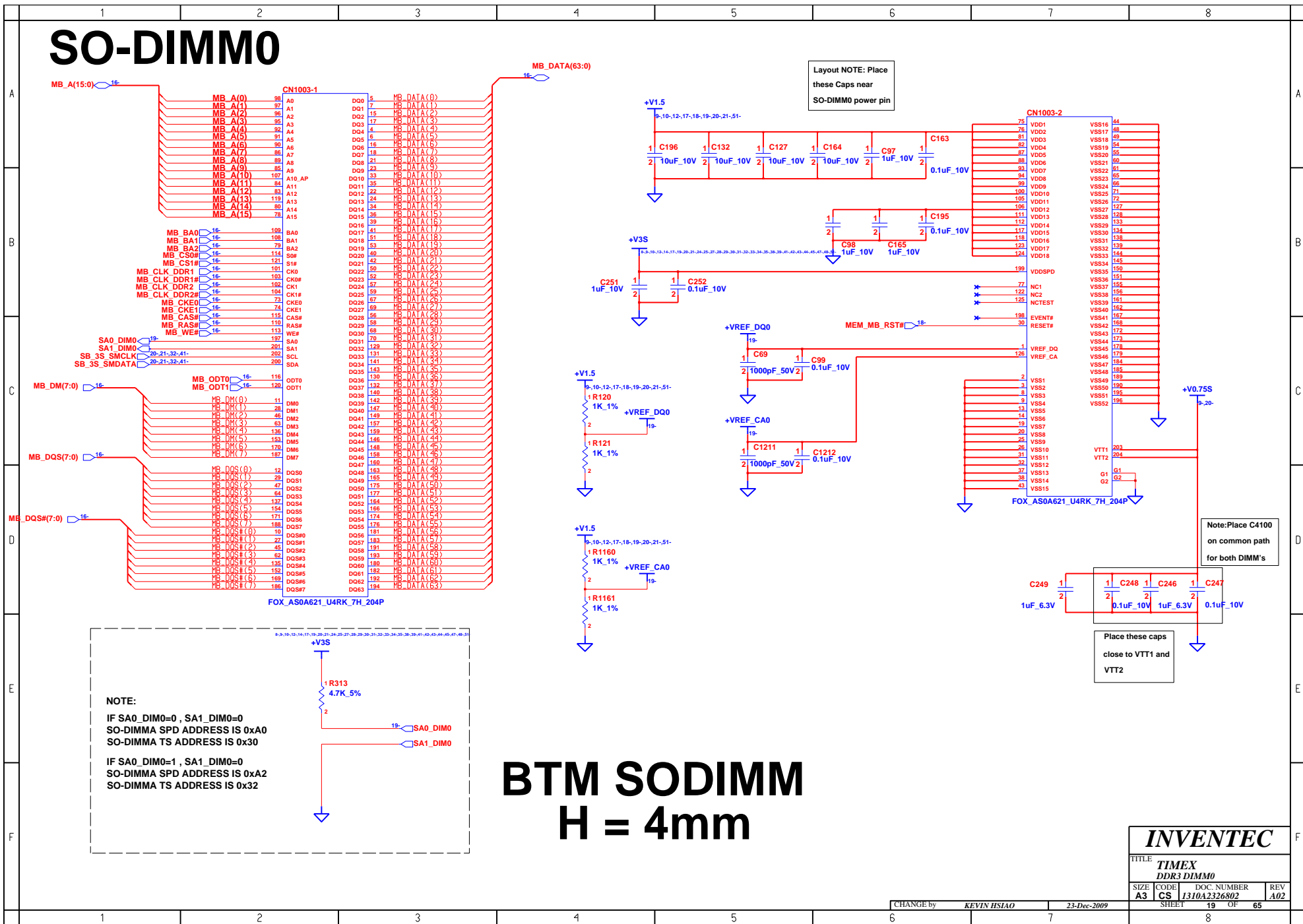
**INVENTEC**

TITLE			
TIMEX			
CPU-3			
SIZE	CODE	DOC. NUMBER	REV
A3	CS	1310A2326802	A02
SHEET		17	OF 65

CHANGE by KEVIN HSIAO 23-Dec-2009



# SO-DIMM0



**NOTE:**

IF SA0\_DIM0=0, SA1\_DIM0=0  
 SO-DIMMA SPD ADDRESS IS 0xA0  
 SO-DIMMA TS ADDRESS IS 0x30

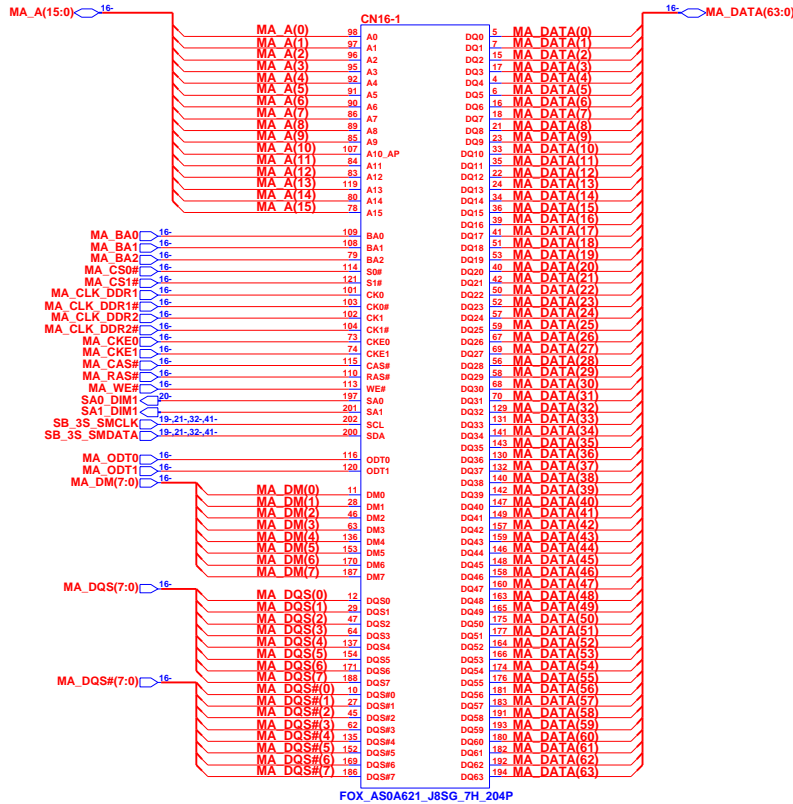
IF SA0\_DIM0=1, SA1\_DIM0=0  
 SO-DIMMA SPD ADDRESS IS 0xA2  
 SO-DIMMA TS ADDRESS IS 0x32

## BTM SODIMM H = 4mm

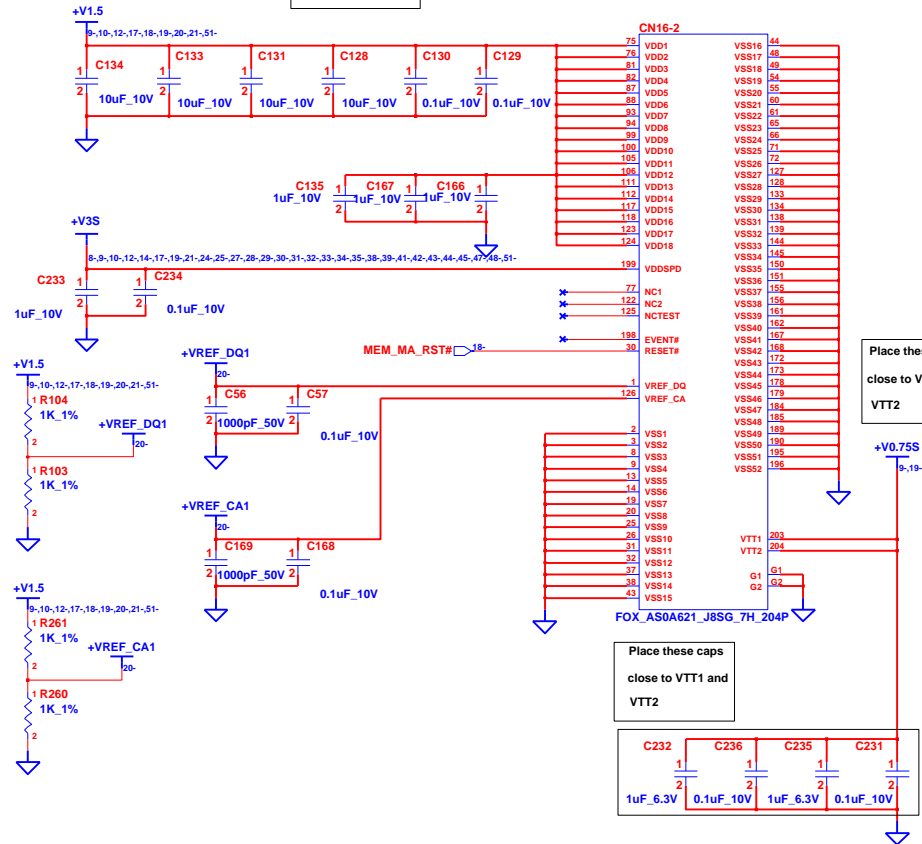
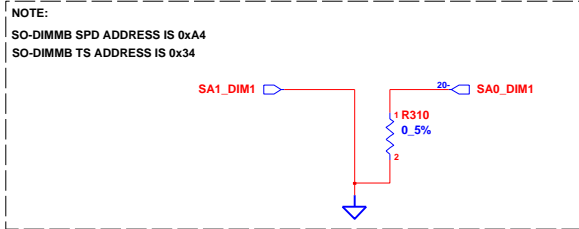
<b>INVENTEC</b>			
TITLE: <b>TIMEX DDR3 DIMM0</b>			
SIZE: <b>A3</b>	CODE: <b>CS</b>	DOC. NUMBER: <b>I310A2326802</b>	REV: <b>A02</b>
CHANGE by: <b>KEVIN HSIAO</b>		23-Dec-2009	
SHEET: <b>19</b>		OF: <b>65</b>	

# SO-DIMM1

Layout Note: Place these Caps near SO-DIMM1 power pin



FOX\_AS0A621\_J8SG\_7H\_204P

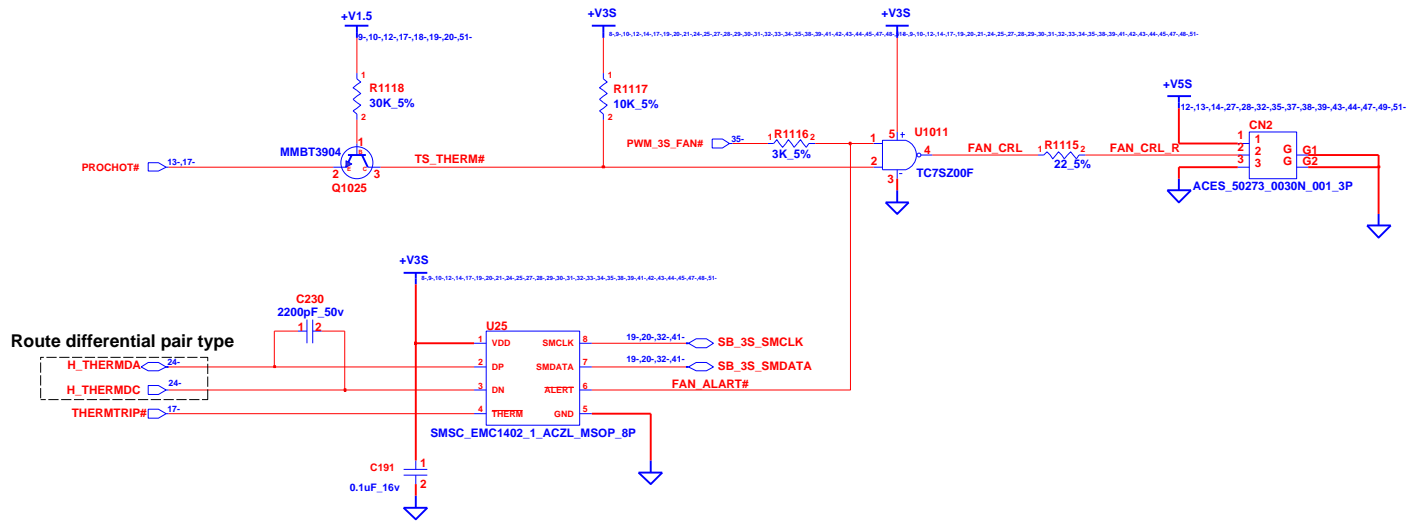


Place these caps close to VTT1 and VTT2

Place these caps close to VTT1 and VTT2

## TOP SODIMM H = 8mm

<b>INVENTEC</b>			
TITLE <b>TIMEX DDR3 DIMM1</b>			
SIZE <b>A3</b>	CODE <b>CS</b>	DOC NUMBER <b>I310A2326802</b>	REV <b>A02</b>
CHANGE by <b>KEVIN HSIAO</b>		23-Dec-2009	
SHEET <b>20</b>		OF <b>65</b>	

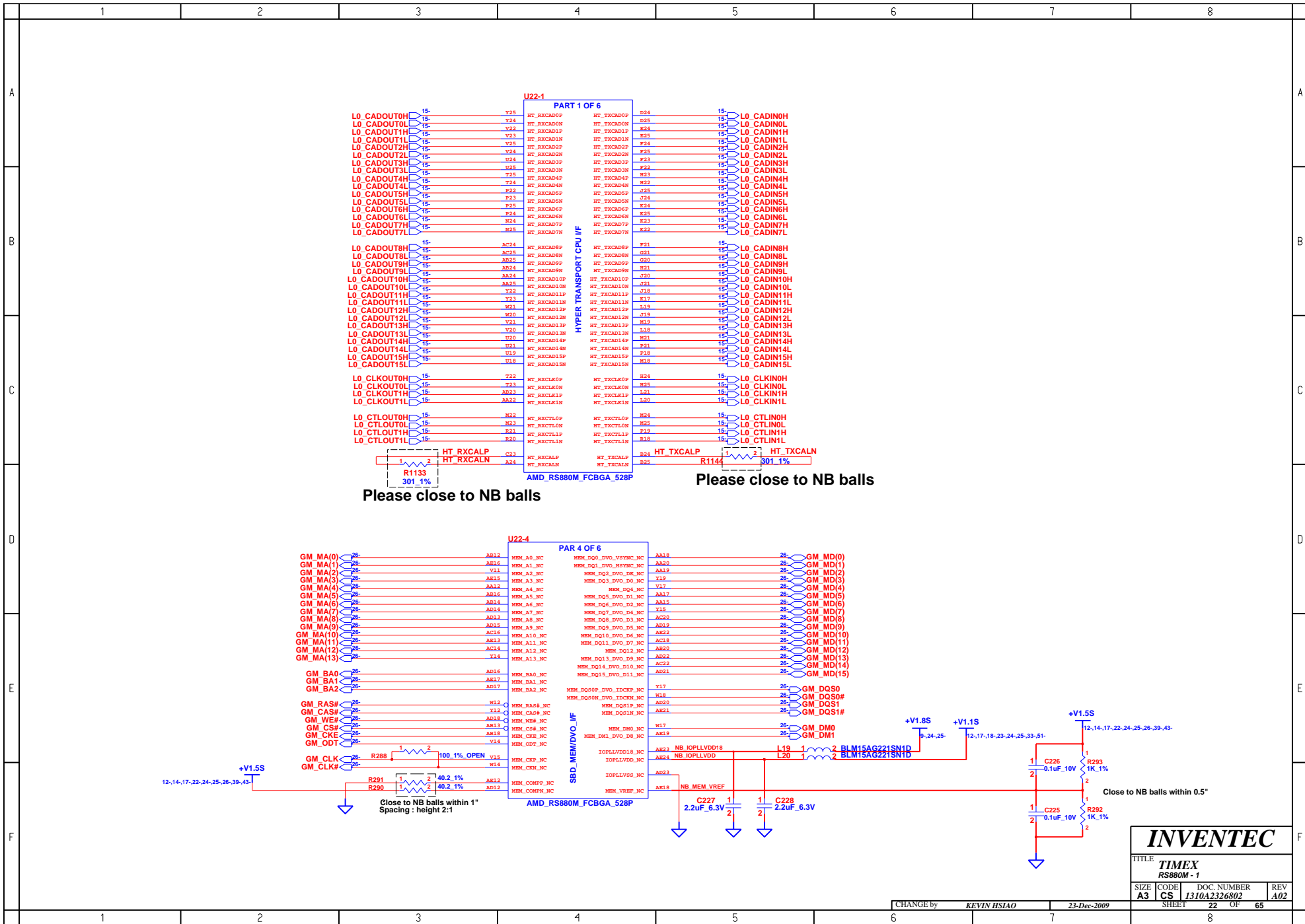


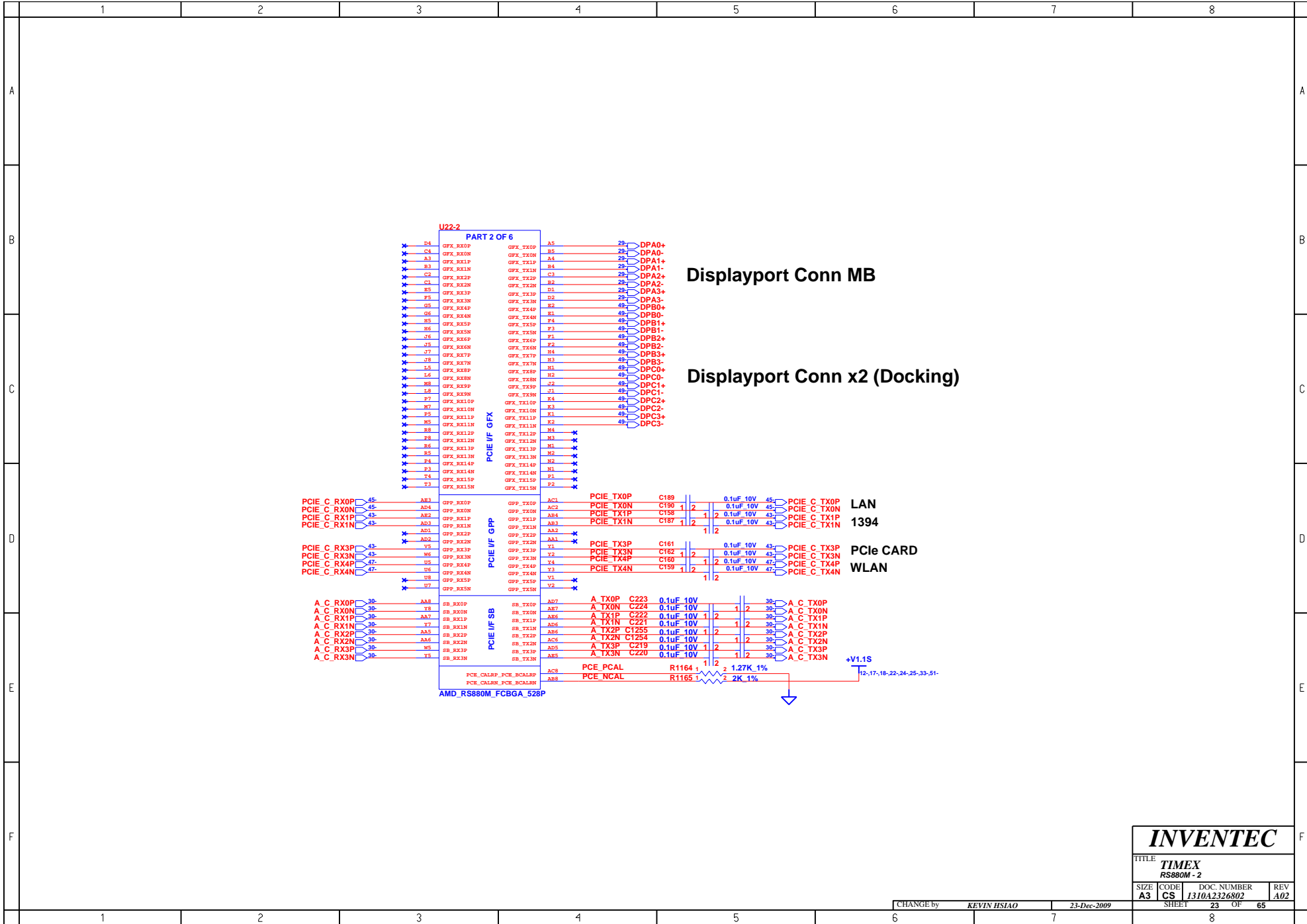
LAYOUT Note: Put the thermal sensor close to north bridge.

**INVENTEC**

TITLE			
TIMEX			
FAN & THERMAL			
SIZE	CODE	DOC. NUMBER	REV
A3	CS	J310A2326802	A02
SHEET		21	OF 65

CHANGE by KEVIN HSIAO 23-Dec-2009





**Displayport Conn MB**

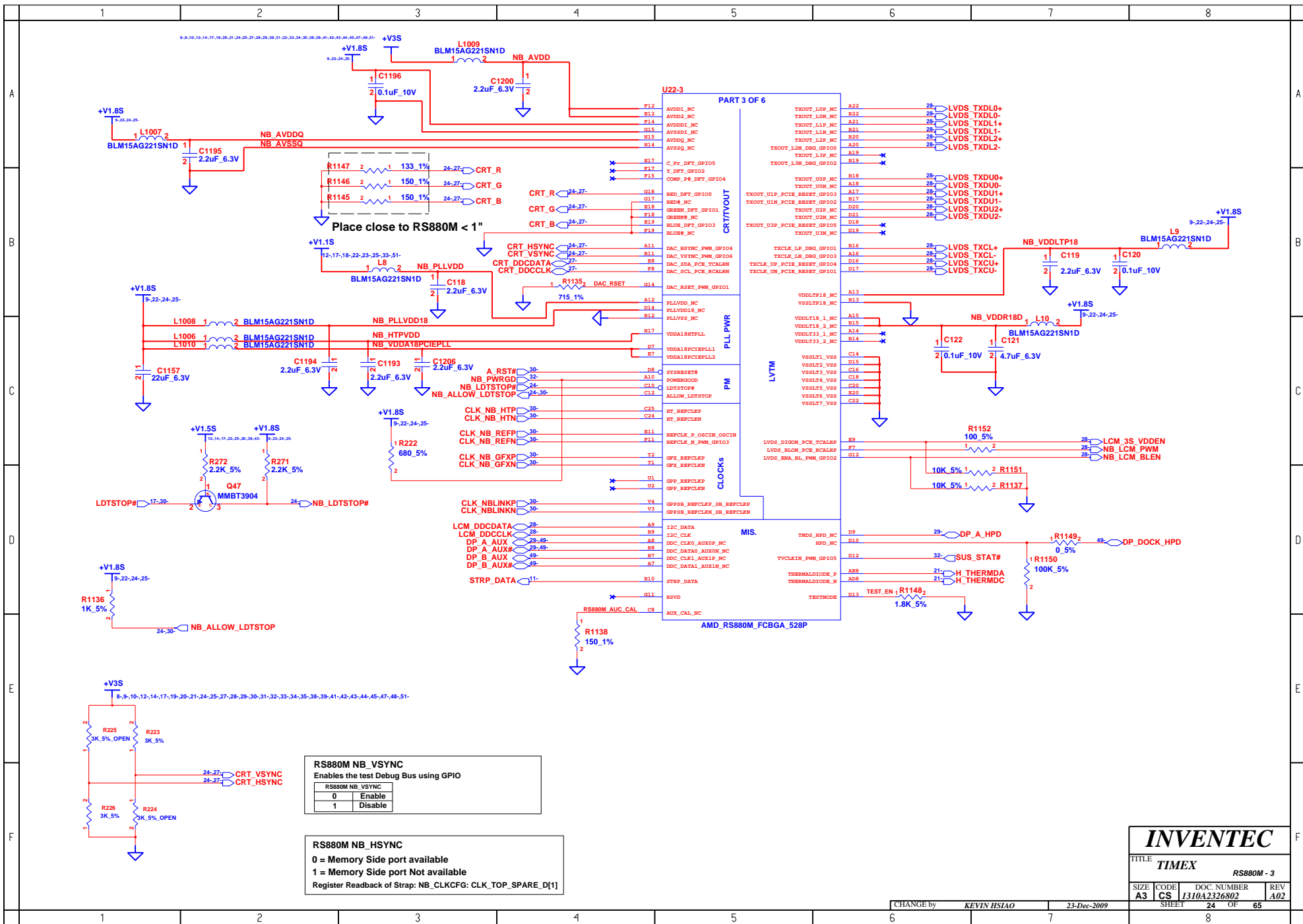
**Displayport Conn x2 (Docking)**

**LAN  
1394**

**PCIe CARD  
WLAN**

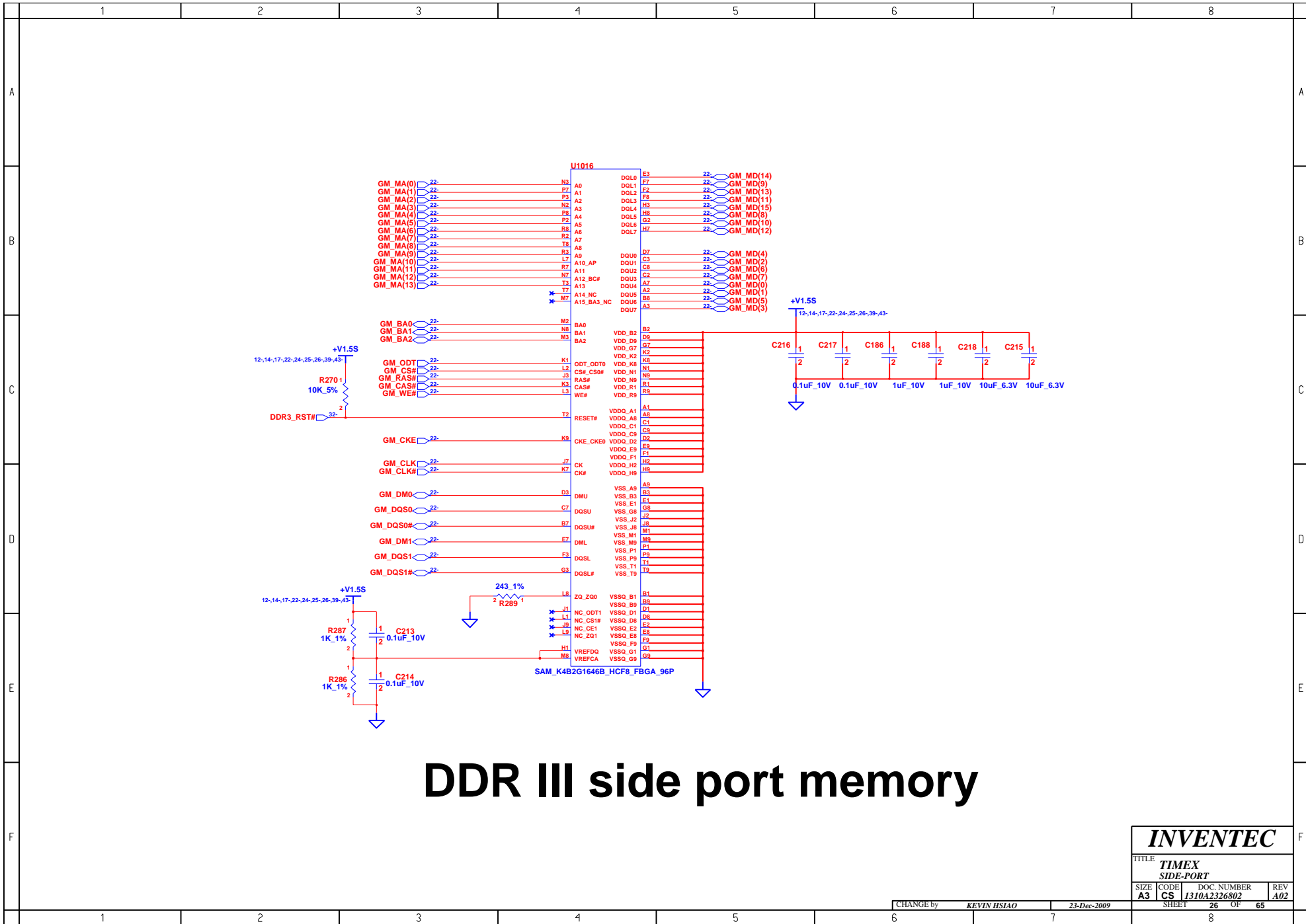
**INVENTEC**

TITLE			
TIMEX			
RS880M - 2			
SIZE	CODE	DOC. NUMBER	REV
A3	CS	1310A2326802	A02
CHANGE by		23-Dec-2009	
SHEET		23	OF 65









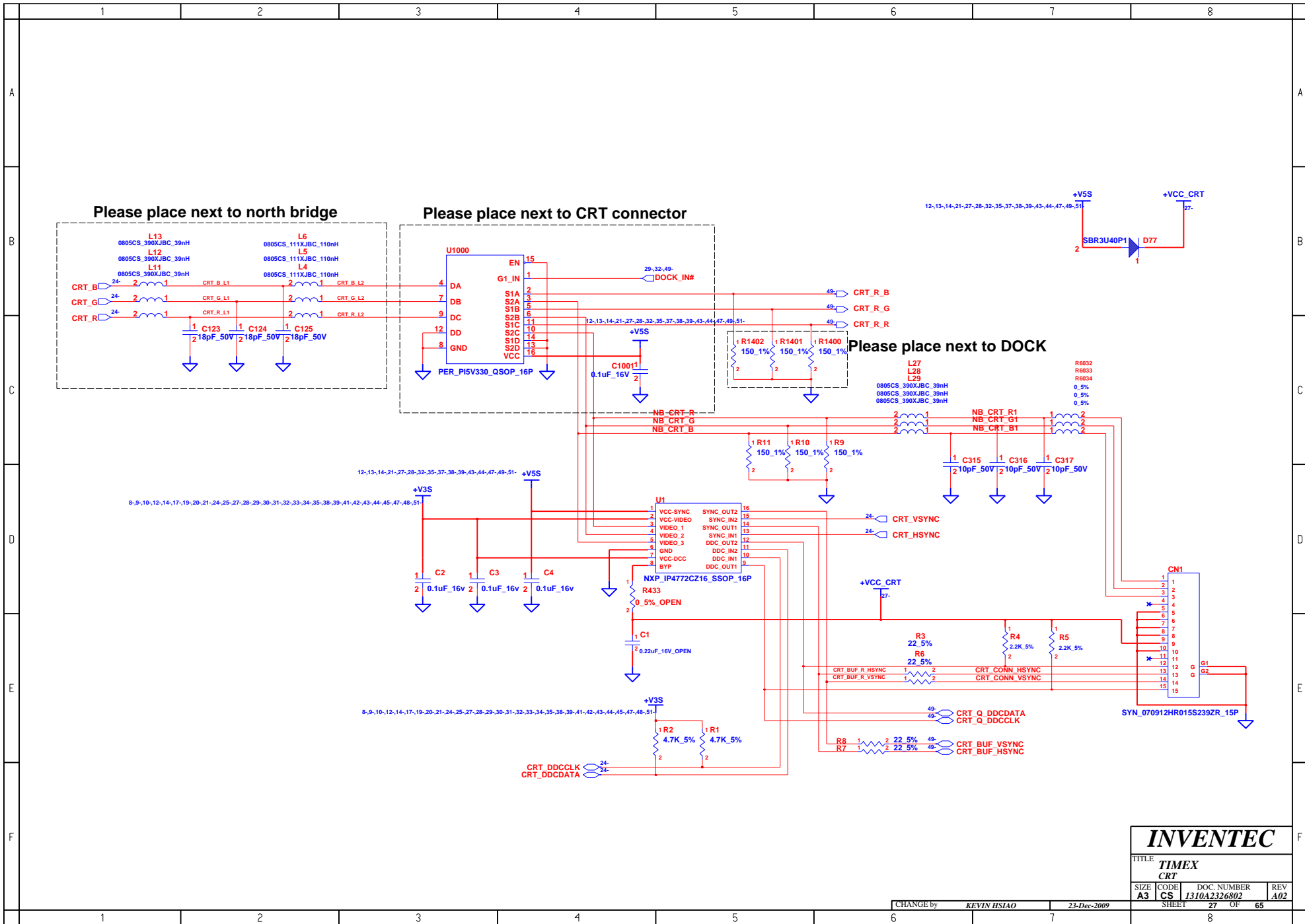
# DDR III side port memory

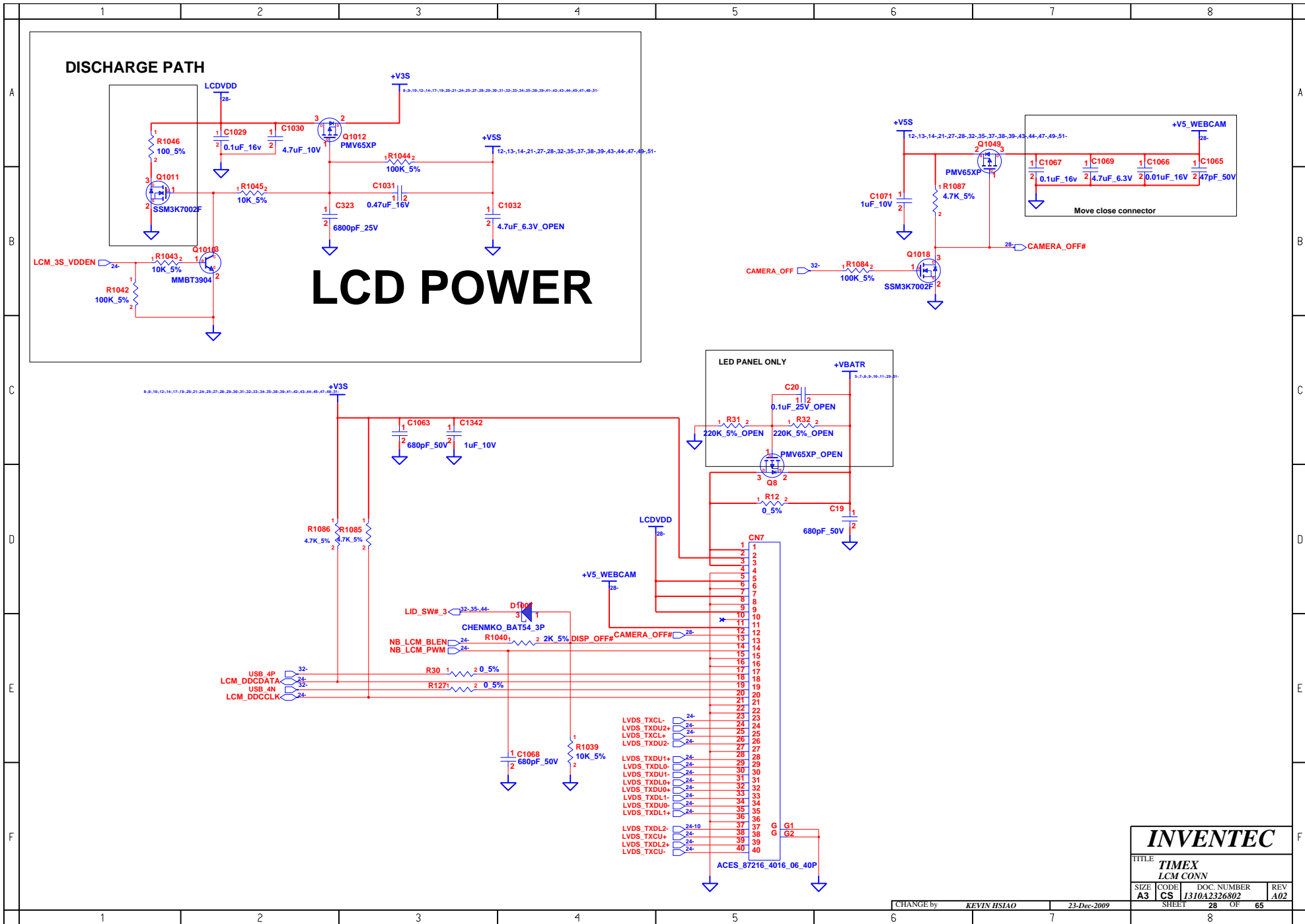
**INVENTEC**

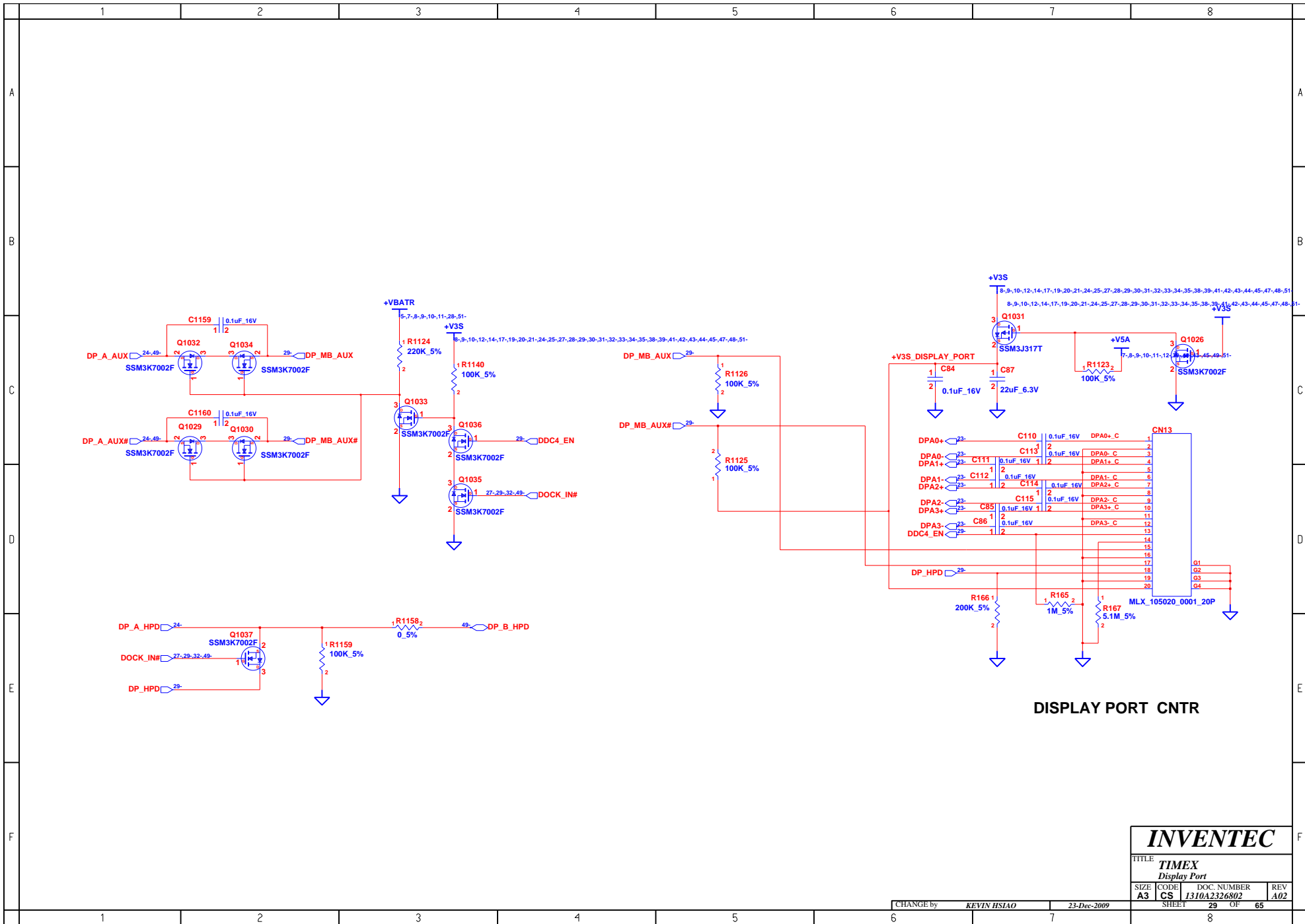
TITLE **TIMEX SIDE-PORT**

SIZE <b>A3</b>	CODE <b>CS</b>	DOC. NUMBER <b>J310A2326802</b>	REV <b>A02</b>
----------------	----------------	---------------------------------	----------------

CHANGE by **KEVIN HSIAO** 23-Dec-2009 SHEET **26** OF **65**



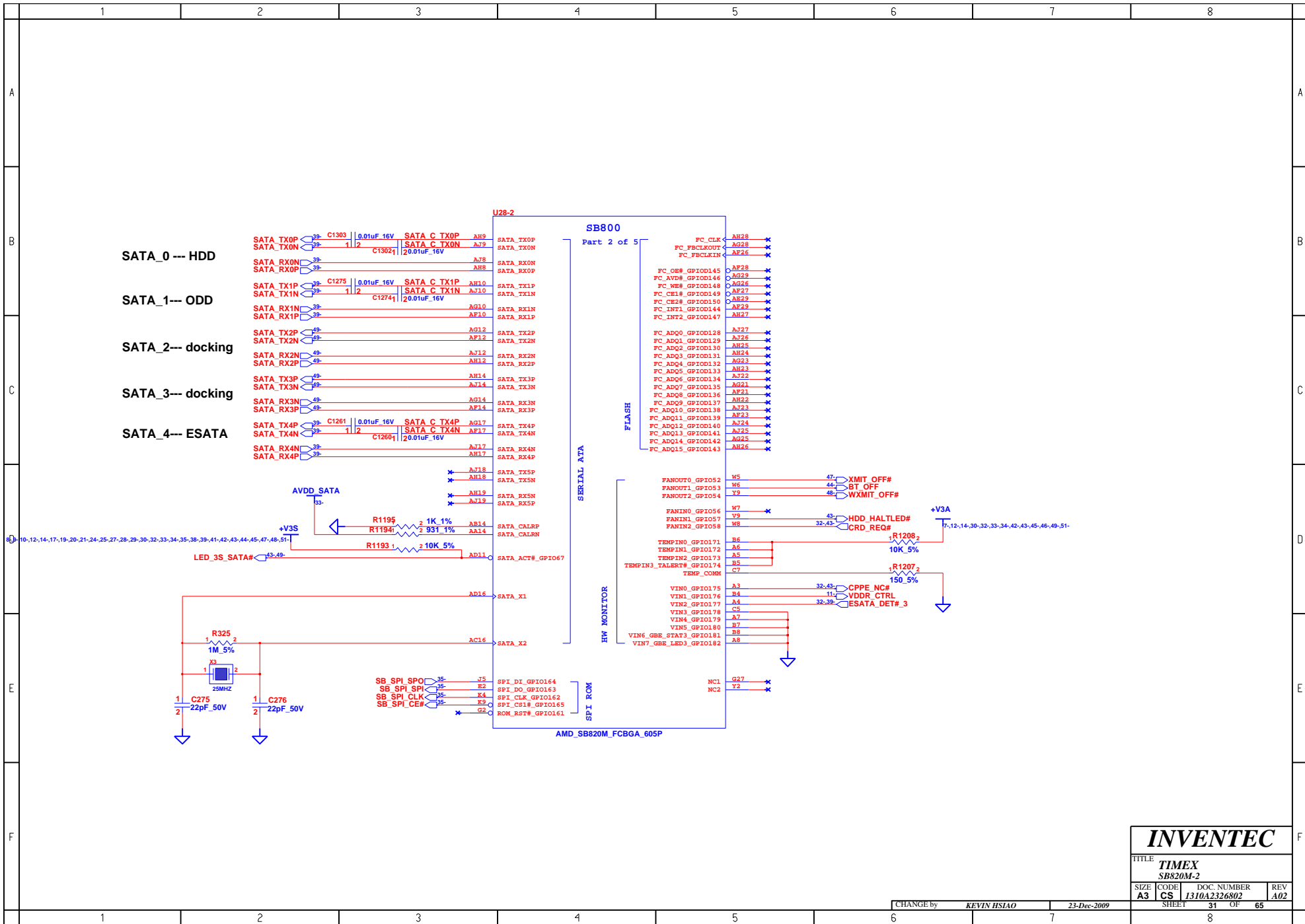




**DISPLAY PORT CNTR**

<b>INVENTEC</b>			
TITLE <b>TIMEX</b>			
Display Port			
SIZE <b>A3</b>	CODE <b>CS</b>	DOC NUMBER <b>I310A2326802</b>	REV <b>A02</b>
CHANGE by <b>KEVIN HSIAO</b>		23-Dec-2009	
SHEET <b>29</b>		OF <b>65</b>	





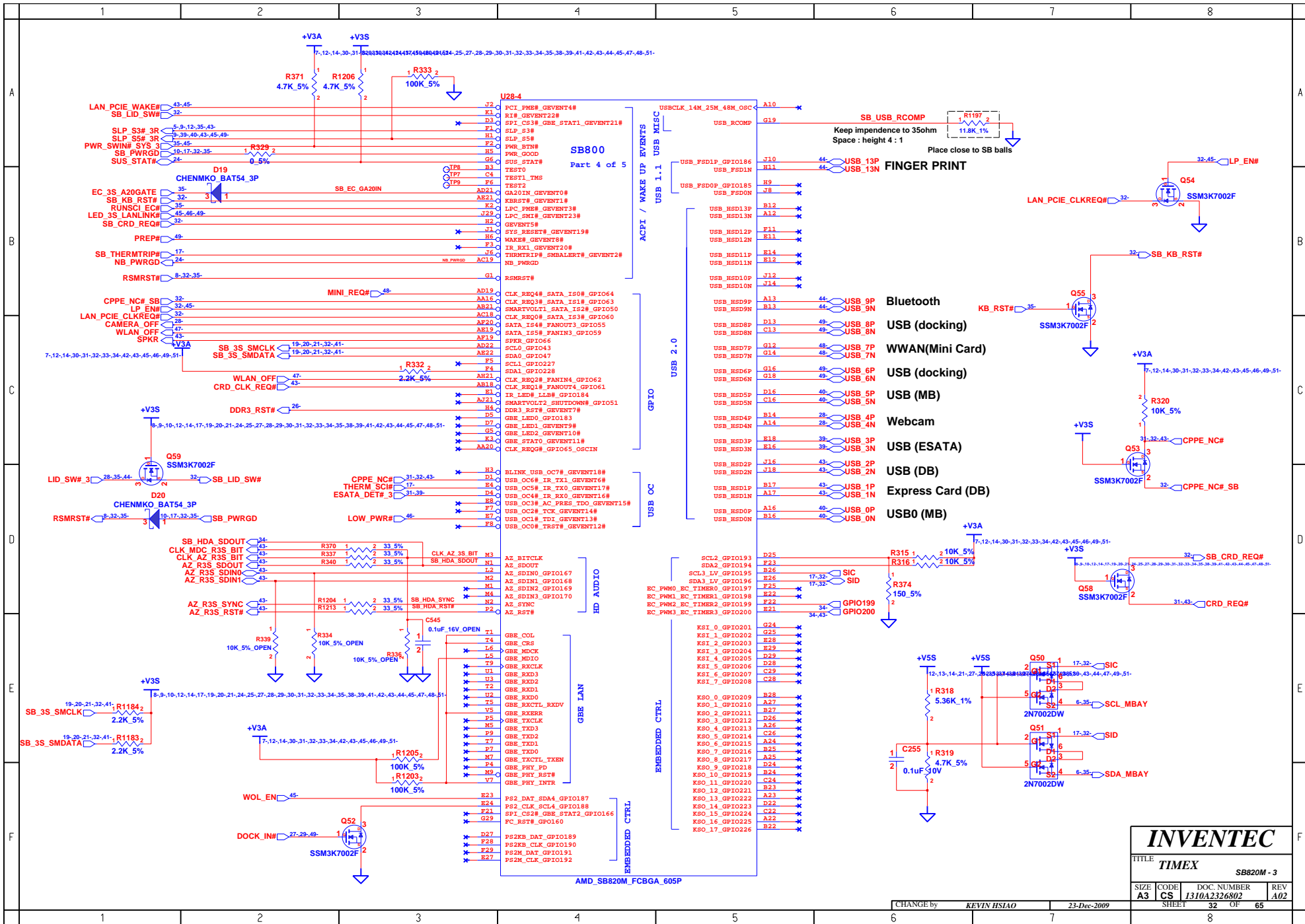
**INVENTEC**

TITLE  
**TIMEX**  
**SB820M-2**

SIZE <b>A3</b>	CODE <b>CS</b>	DOC. NUMBER <b>1310A2326802</b>	REV <b>A02</b>
-------------------	-------------------	------------------------------------	-------------------

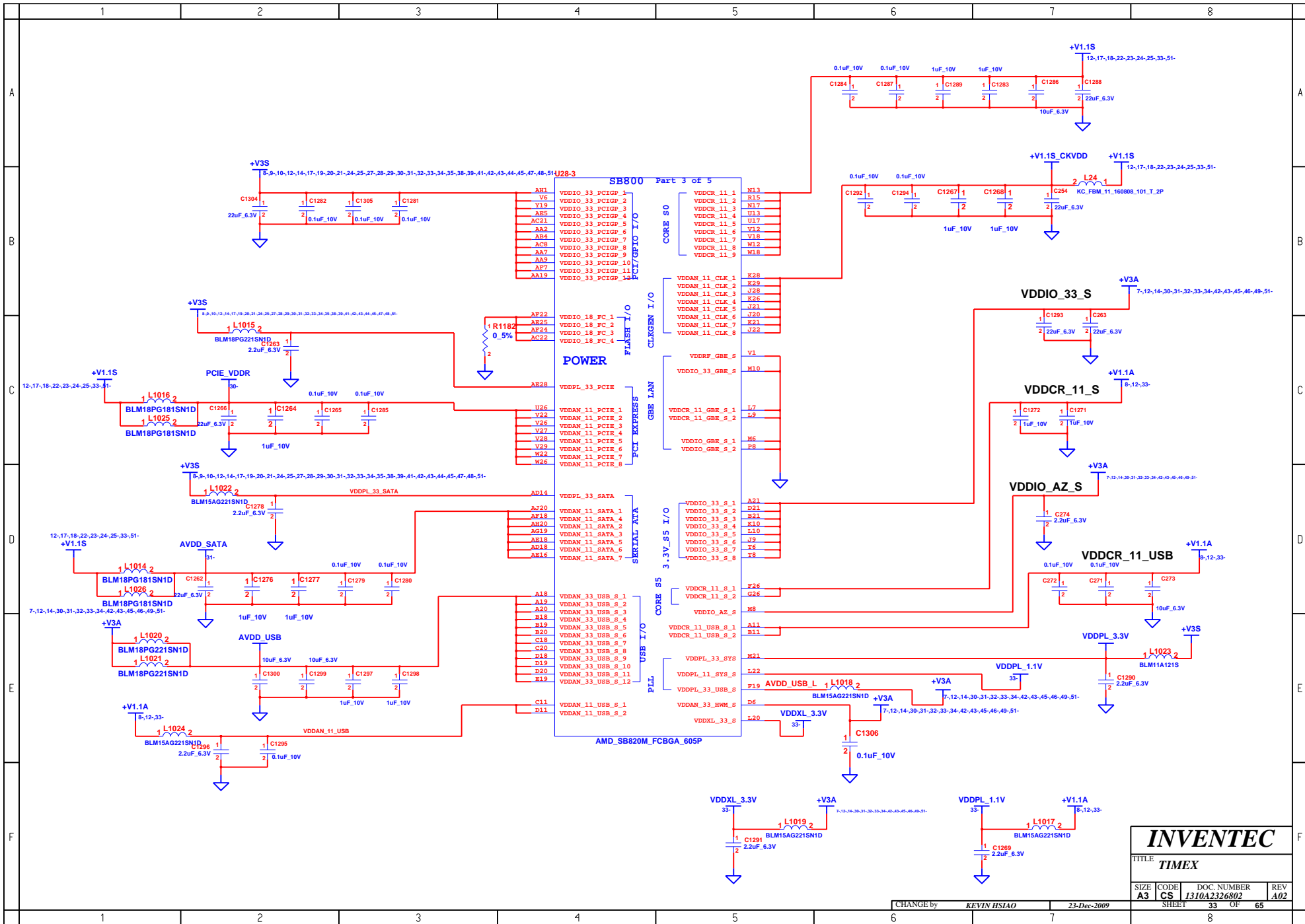
CHANGE by **KEVIN HSIAO** 23-Dec-2009

SHEET 31 OF 65

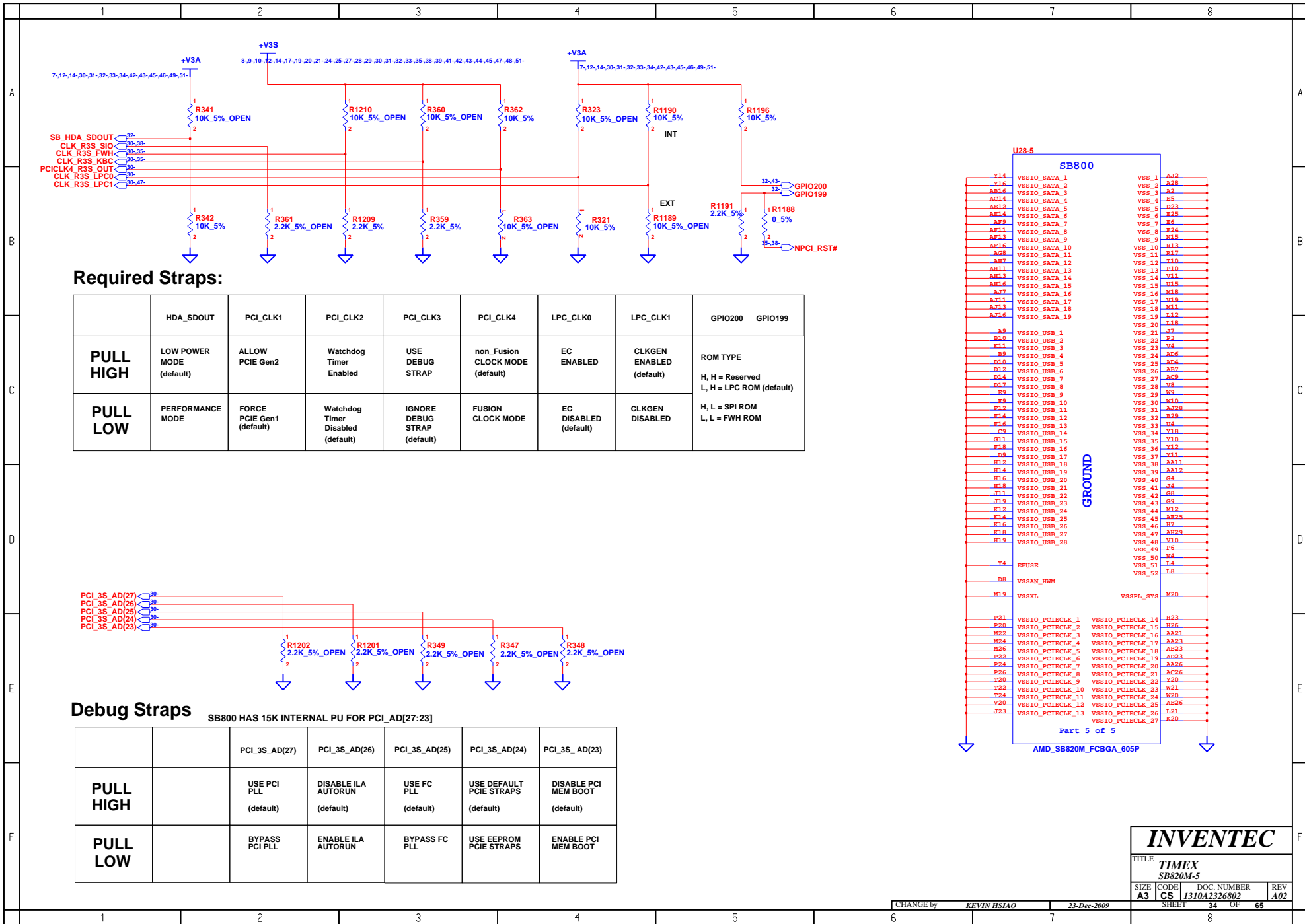


<b>INVENTEC</b>			
TITLE <b>TIMEX SB820M - 3</b>			
SIZE <b>A3</b>	CODE <b>CS</b>	DOC. NUMBER <b>1310A2326802</b>	REV <b>A02</b>
CHANGE by <b>KEVIN HSIAO</b>		23-Dec-2009	SHEET <b>32</b> OF <b>65</b>





<b>INVENTEC</b>			
TITLE <b>TIMEX</b>			
SIZE <b>A3</b>	CODE <b>CS</b>	DOC. NUMBER <b>1310A2326802</b>	REV <b>A02</b>
CHANGE by <b>KEVIN HSIAO</b>		23-Dec-2009	
SHEET <b>33</b>		OF <b>65</b>	



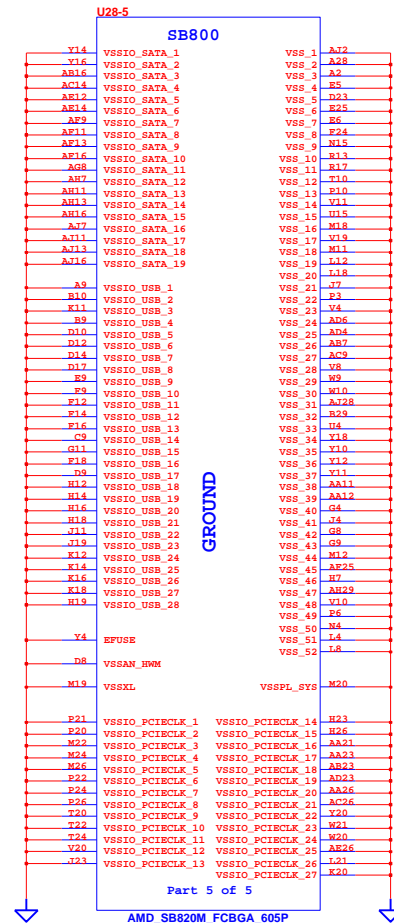
**Required Straps:**

	HDA_SDOUT	PCI_CLK1	PCI_CLK2	PCI_CLK3	PCI_CLK4	LPC_CLK0	LPC_CLK1	GPIO200	GPIO199
<b>PULL HIGH</b>	LOW POWER MODE (default)	ALLOW PCIE Gen2	Watchdog Timer Enabled	USE DEBUG STRAP	non_Fusion CLOCK MODE (default)	EC ENABLED	CLKGEN ENABLED (default)	ROM TYPE H, H = Reserved L, L = LPC ROM (default)	
<b>PULL LOW</b>	PERFORMANCE MODE	FORCE PCIE Gen1 (default)	Watchdog Timer Disabled (default)	IGNORE DEBUG STRAP (default)	FUSION CLOCK MODE	EC DISABLED (default)	CLKGEN DISABLED	H, L = SPI ROM L, L = FW ROM	

**Debug Straps**

SB800 HAS 15K INTERNAL PU FOR PCI\_AD[27:23]

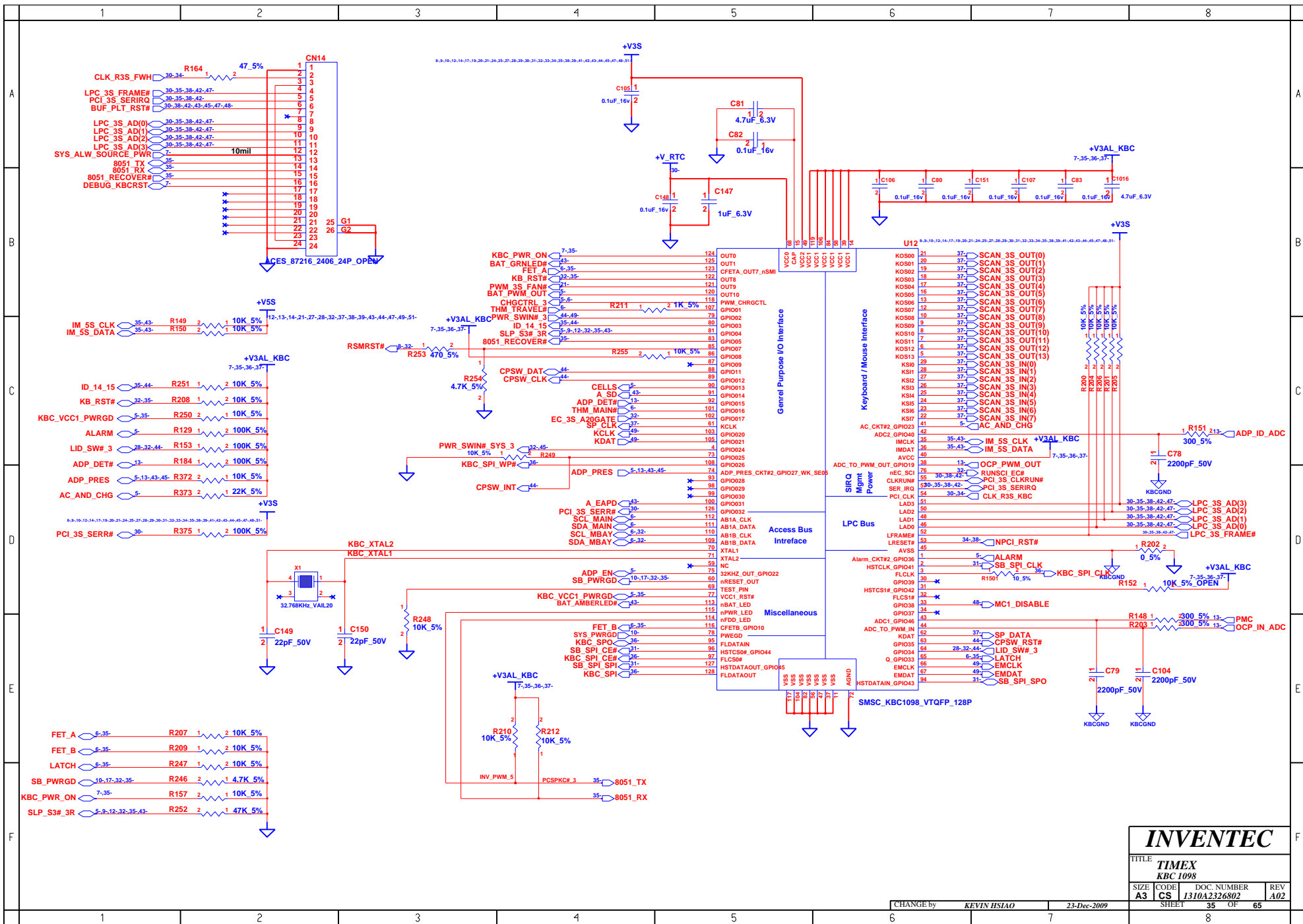
	PCI_3S_AD(27)	PCI_3S_AD(26)	PCI_3S_AD(25)	PCI_3S_AD(24)	PCI_3S_AD(23)
<b>PULL HIGH</b>	USE PCI PLL (default)	DISABLE ILA AUTORUN (default)	USE FC PLL (default)	USE DEFAULT PCIE STRAPS (default)	DISABLE PCI MEM BOOT (default)
<b>PULL LOW</b>	BYPASS PCI PLL	ENABLE ILA AUTORUN	BYPASS FC PLL	USE EEPROM PCIE STRAPS	ENABLE PCI MEM BOOT



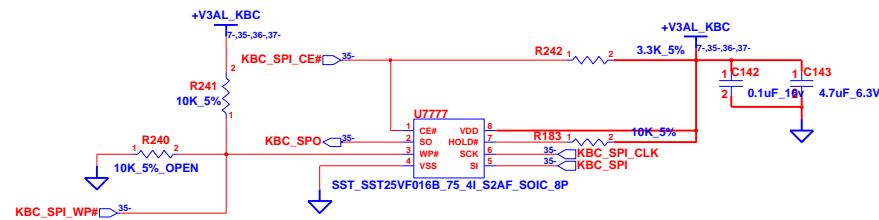
**INVENTEC**

TITLE: **TIMEX SB820M-5**

SIZE: <b>A3</b>	CODE: <b>CS</b>	DOC. NUMBER: <b>J310A2326802</b>	REV: <b>A02</b>
CHANGE by: <b>KEVIN HSIAO</b>		23-Dec-2009	
SHEET: <b>34</b>		OF: <b>65</b>	



<b>INVENTEC</b>			
TITLE <b>TIMEX KBC 1098</b>			
SIZE <b>A3</b>	CODE <b>CS</b>	DOC. NUMBER <b>I310A2326802</b>	REV <b>A02</b>
CHANGE by <b>KEVIN HSIAO</b>		23-Dec-2009	
SHEET <b>35</b>		OF <b>65</b>	

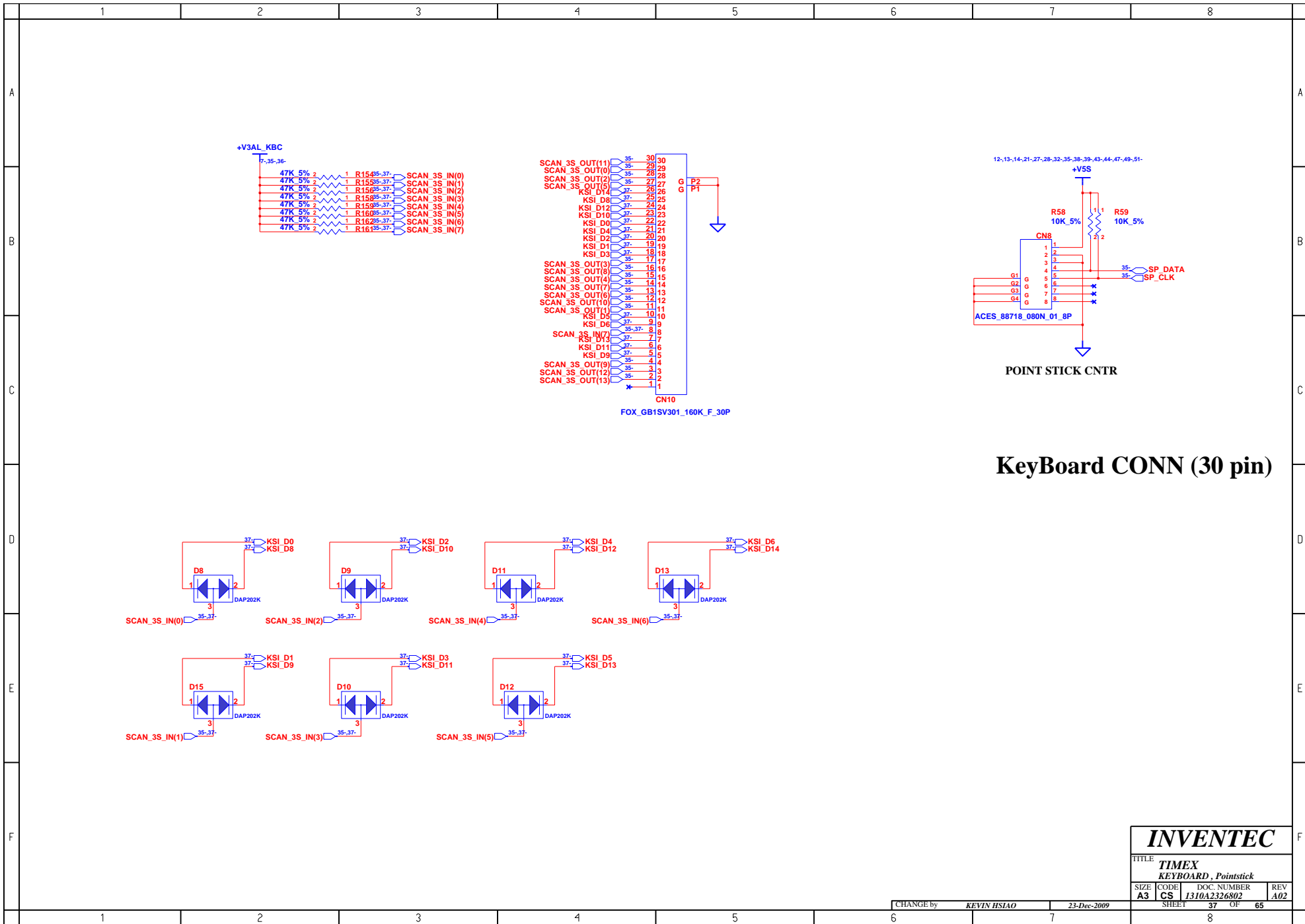


**SPI Flash**

**INVENTEC**

TITLE			
TIMEX			
SPI			
SIZE	CODE	DOC. NUMBER	REV
A3	CS	J310A2326802	A02
SHEET		36	OF 65

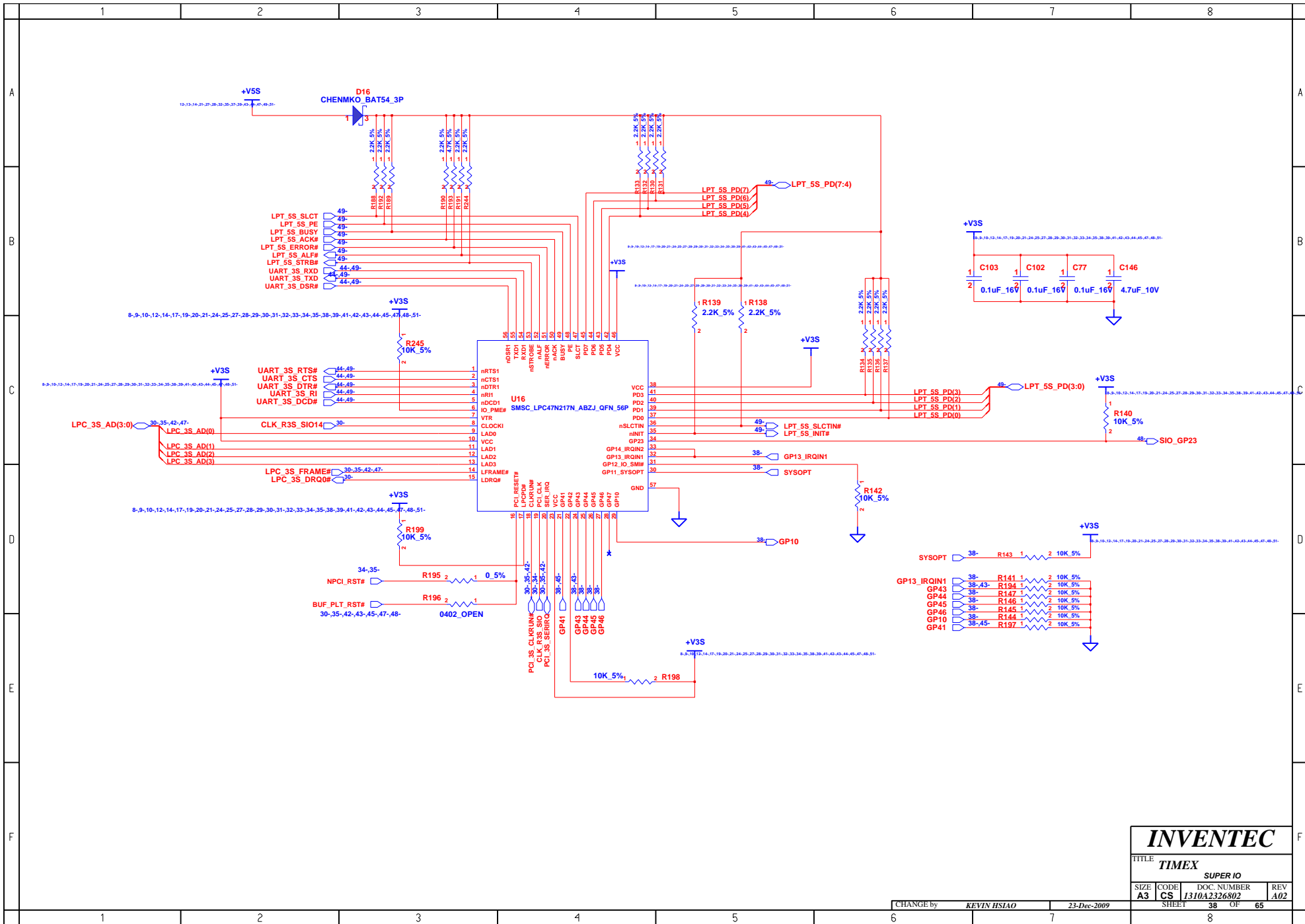
CHANGE by KEVIN HSIAO 23-Dec-2009



**INVENTEC**

TITLE			
TIMEX			
KEYBOARD , Pointstick			
SIZE	CODE	DOC. NUMBER	REV
A3	CS	J310A2326802	A02
SHEET		OF	
37		65	

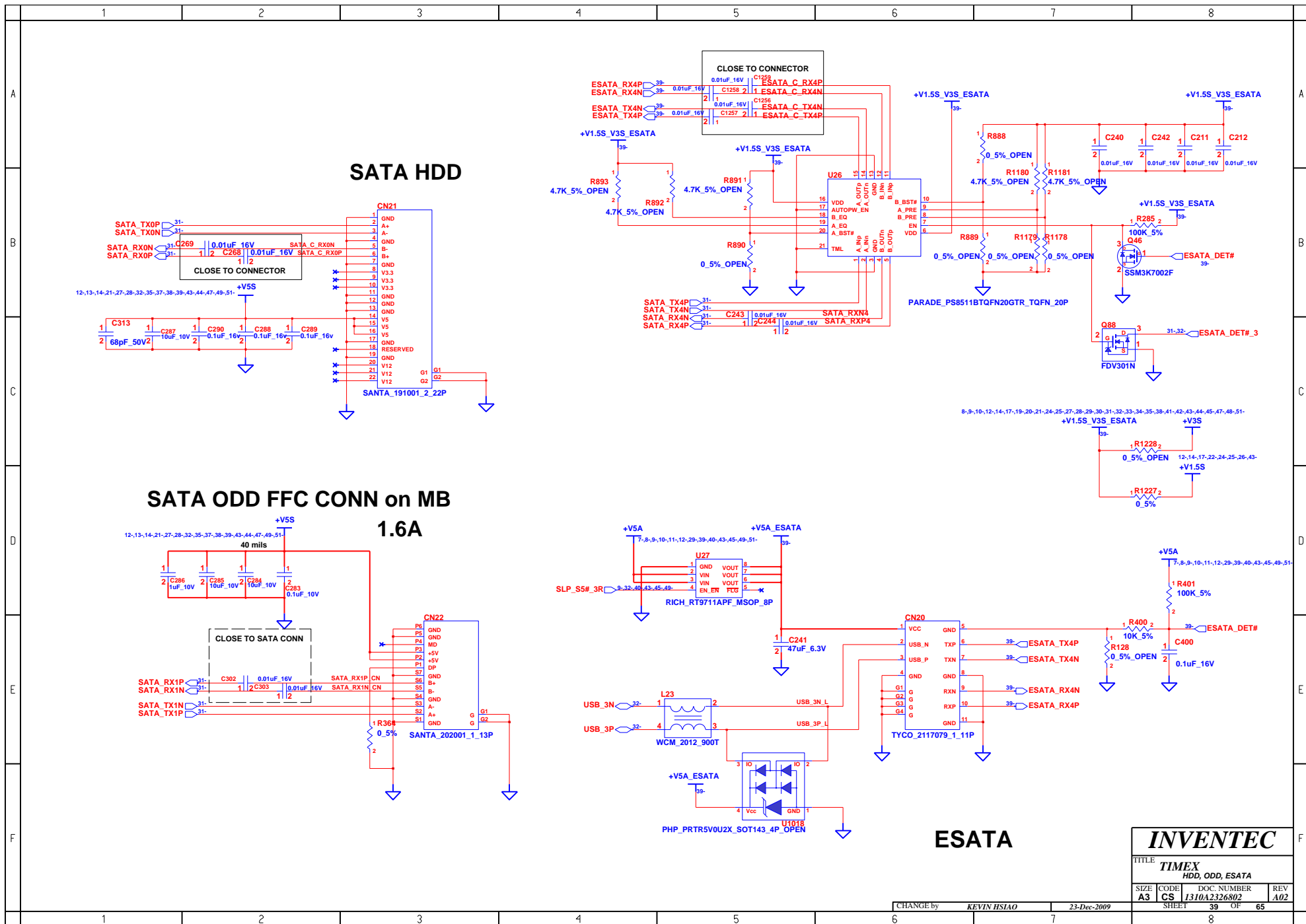
CHANGE by KEVIN HSIAO 23-Dec-2009

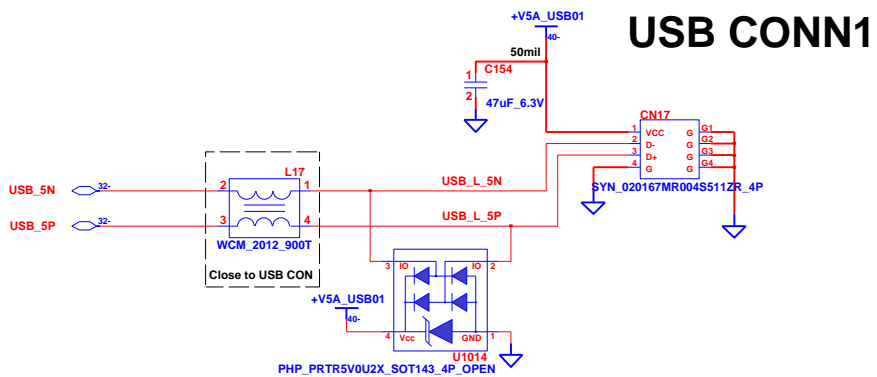
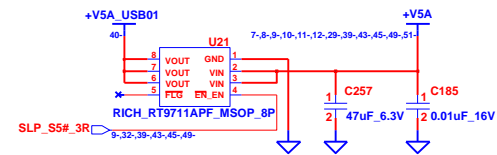
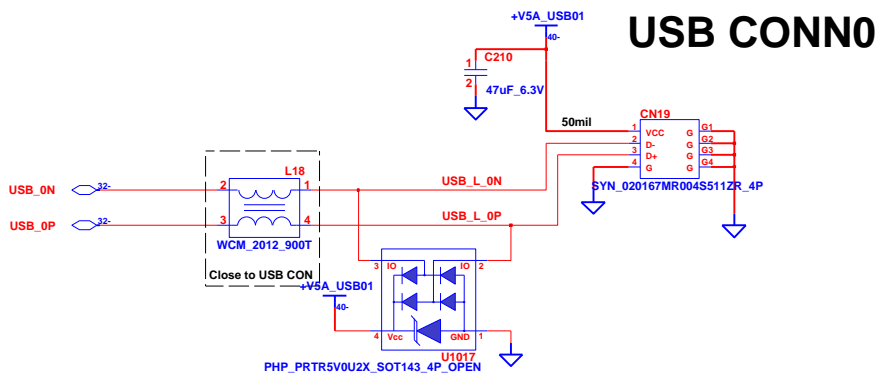


# INVENTEC

TITLE			
TIMEX			
SUPER IO			
SIZE	CODE	DOC NUMBER	REV
A3	CS	J310A2326802	A02
SHEET		OF	
38		65	

CHANGE by KEVIN HSIAO 23-Dec-2009



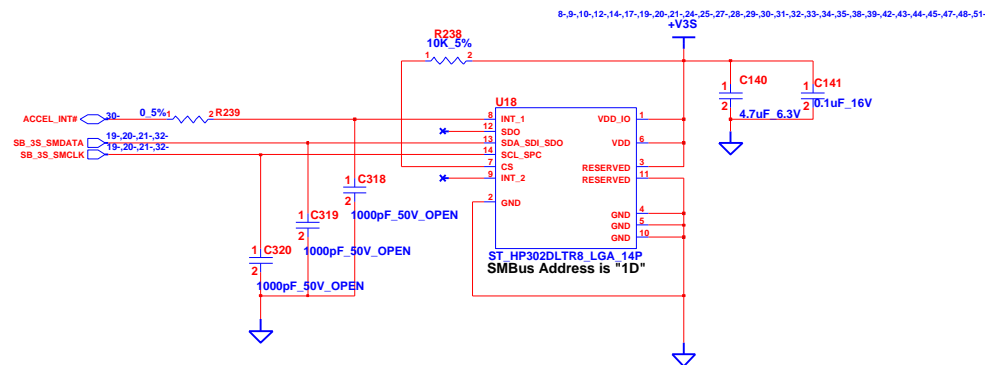


**INVENTEC**

TITLE			
TIMEX			
USB CONN			
SIZE	CODE	DOC. NUMBER	REV
A3	CS	1310A2326802	A02
SHEET		40	OF 65

CHANGE by KEVIN HSIAO 23-Dec-2009

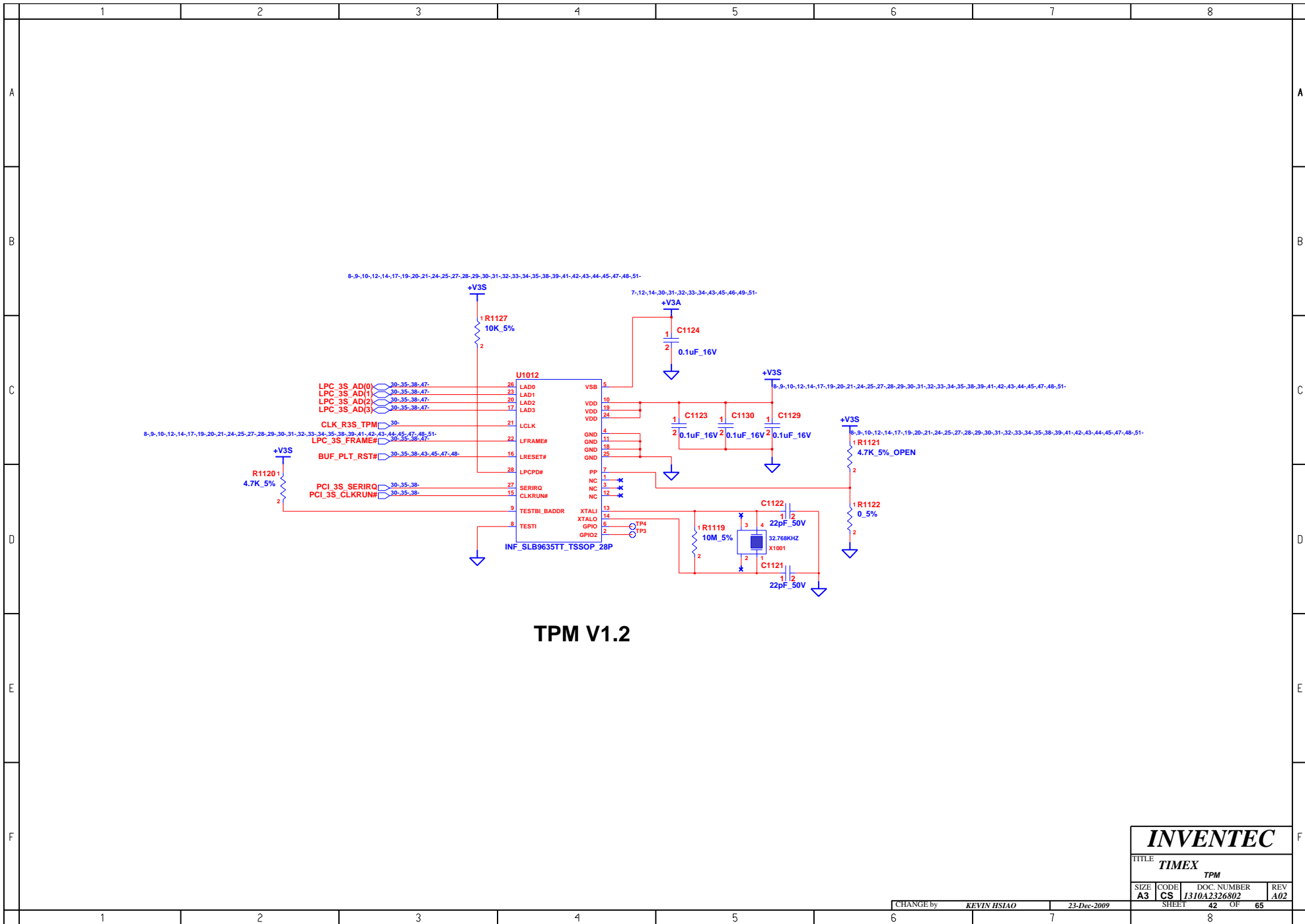




**HARDDRIVE PROTECTION**  
**P/N = 6019B0505201**

**INVENTEC**

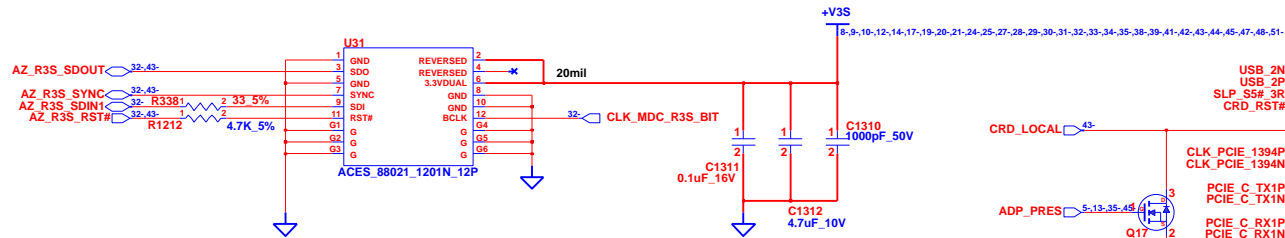
TITLE			
TIMEX			
Accelerometer			
SIZE	CODE	DOC. NUMBER	REV
A3	CS	1310A2326802	A02
CHANGE by		SHEET	OF
KEVIN HSIAO		41	65



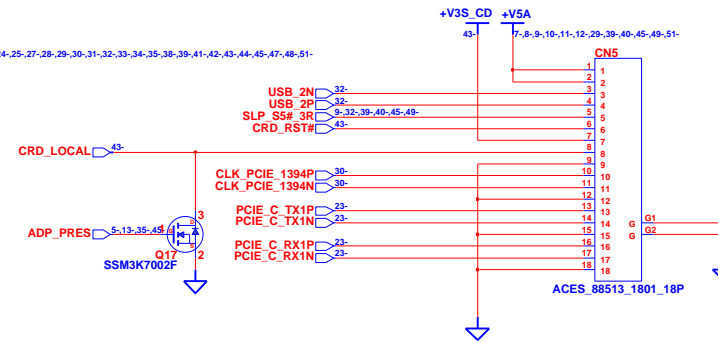
**TPM V1.2**

<b>INVENTEC</b>			
TITLE <b>TIMEX TPM</b>			
SIZE <b>A3</b>	CODE <b>CS</b>	DOC NUMBER <b>J310A2326802</b>	REV <b>A02</b>
CHANGE by <b>KEVIN HSIAO</b>		23-Dec-2009	
SHEET <b>42</b>		OF <b>65</b>	

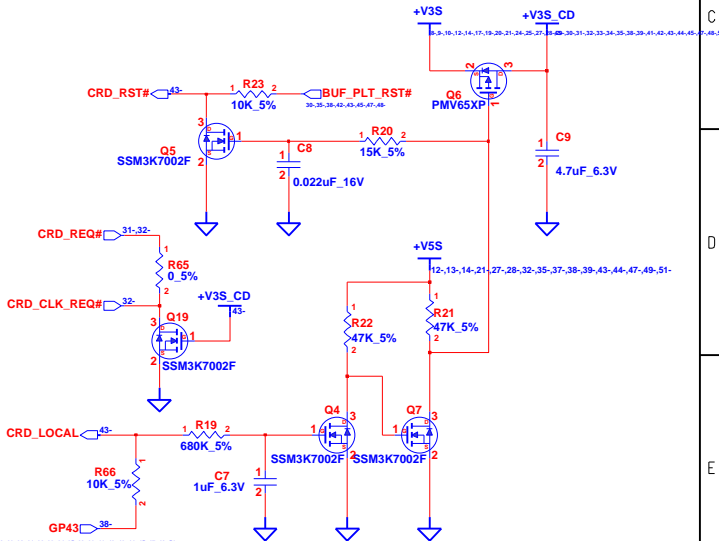
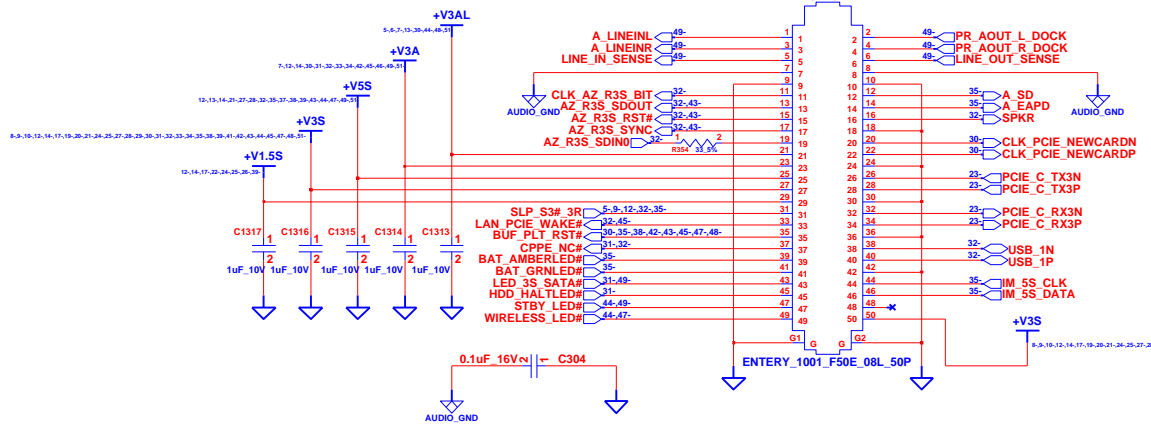
## MDC MODEM



## 7 IN 1 MB SIDE



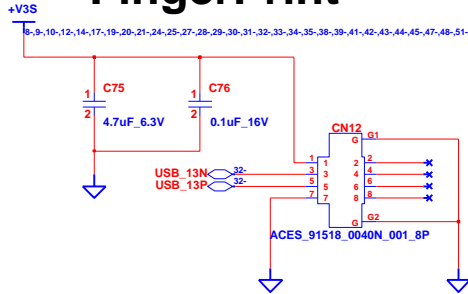
## EXPRESS CARD



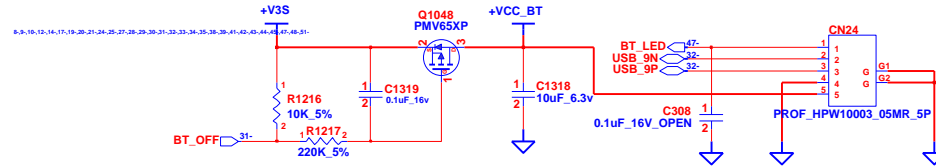
# B2B Connectors

<b>INVENTEC</b>			
TITLE <b>TIMEX</b> <b>B2B Connectors</b>			
SIZE <b>A3</b>	CODE <b>CS</b>	DOC NUMBER <b>1310A2326802</b>	REV <b>A02</b>
CHANGE by <b>KEVIN HSIAO</b>		23-Dec-2009	
SHEET <b>43</b>		OF <b>65</b>	

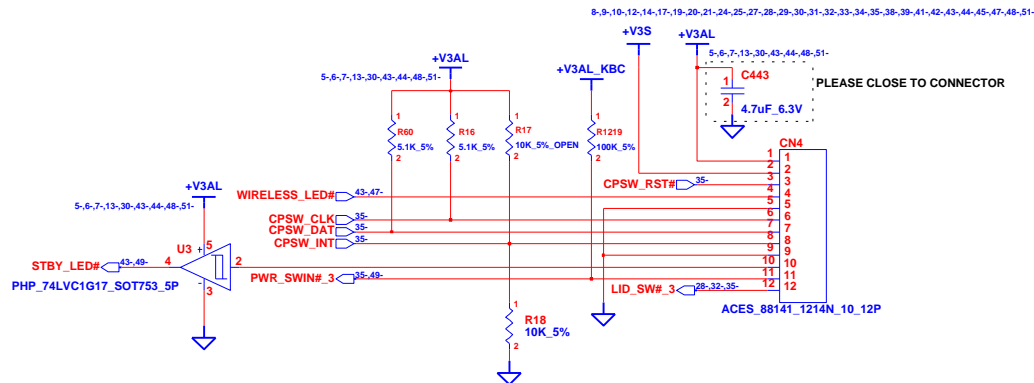
## FingerPrint



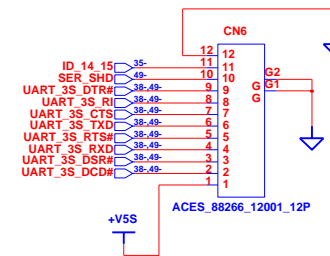
## BLUETOOTH CONN



## SWITCH BOARD



## SERIAL PORT CONN



# W2B Connectors

**INVENTEC**

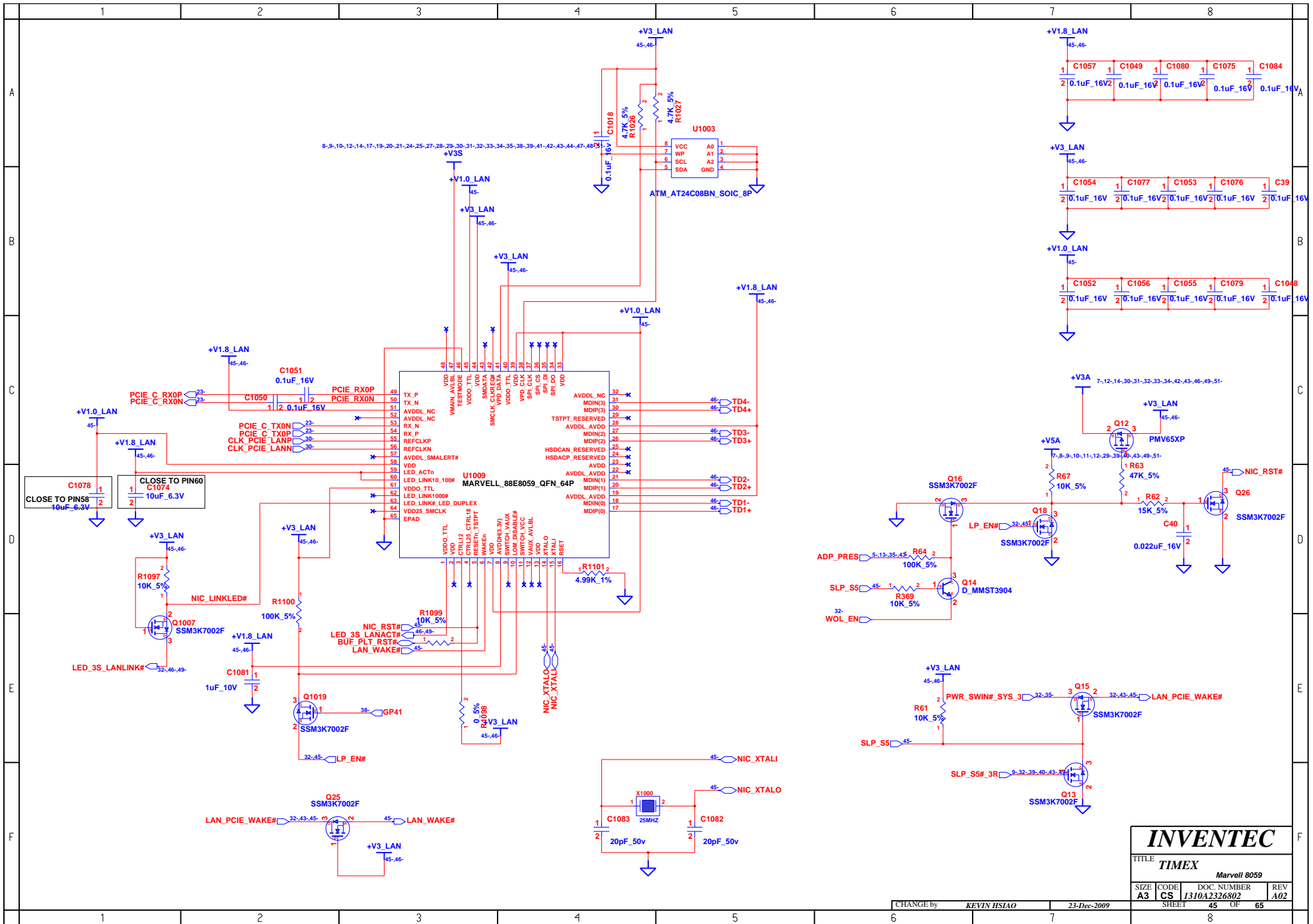
TITLE  
TIMEX

W2B Connectors

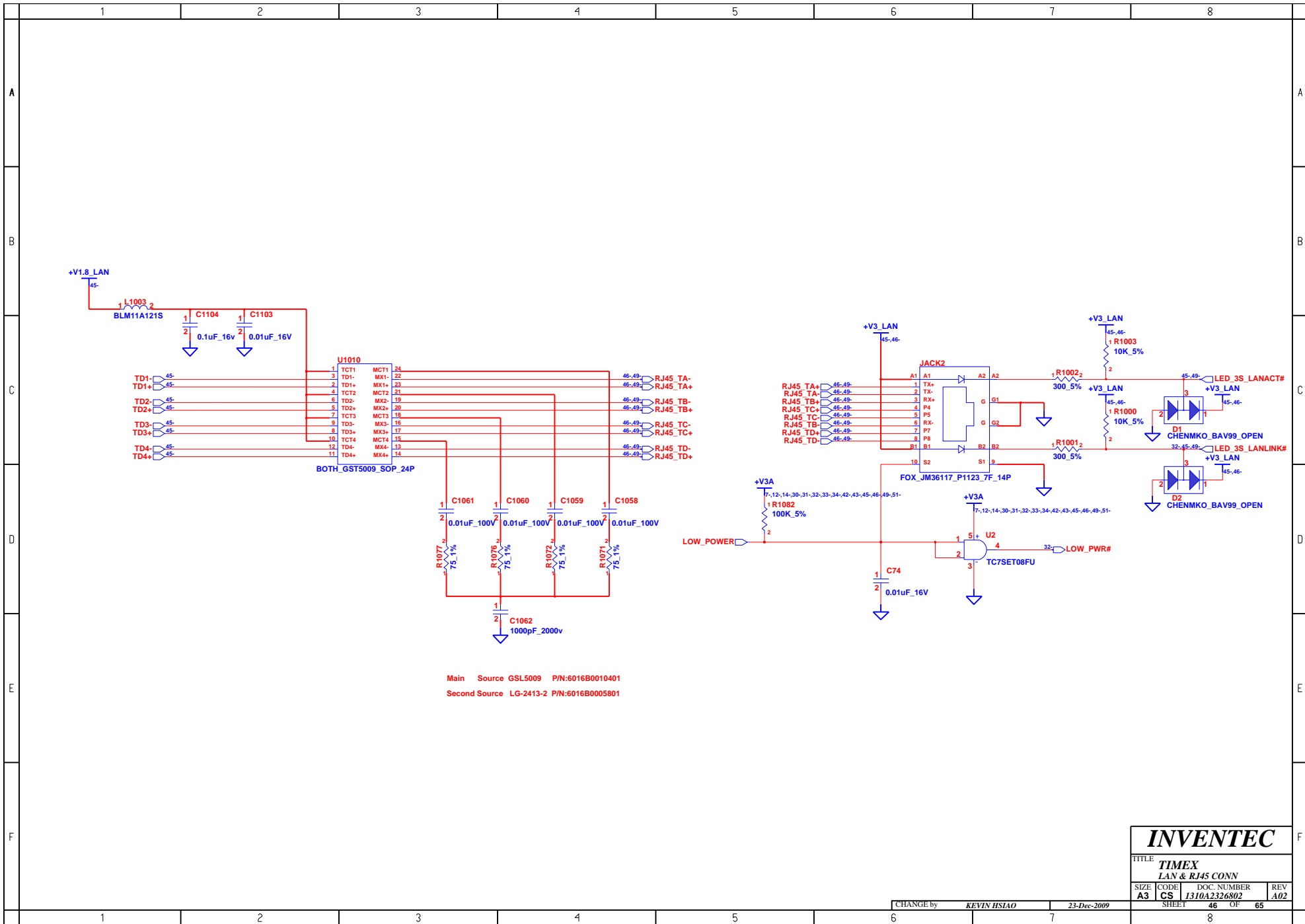
SIZE CODE CS DOC NUMBER REV  
A3 CS J310A2326802 A02

CHANGE by KEVIN HSIAO 23-Dec-2009

SHEET 44 OF 65



<b>INVENTEC</b>				
TITLE: <b>TIMEX</b>				
Marvell 8059				
SIZE	CODE	DOC. NUMBER	REV	
A3	CS	J310A2326802	A02	
CHANGE by		23-Dec-2009		SHEET
KEVIN HSIAO				45 OF 65



**INVENTEC**

TITLE  
**TIMEX**  
 LAN & RJ45 CONN

SIZE	CODE	DOC. NUMBER	REV
A3	CS	I310A2326802	A02

CHANGE by	KEVIN HSIAO	23-Dec-2009
-----------	-------------	-------------

SHEET	46	OF	65
-------	----	----	----

A

B

C

D

E

F

A

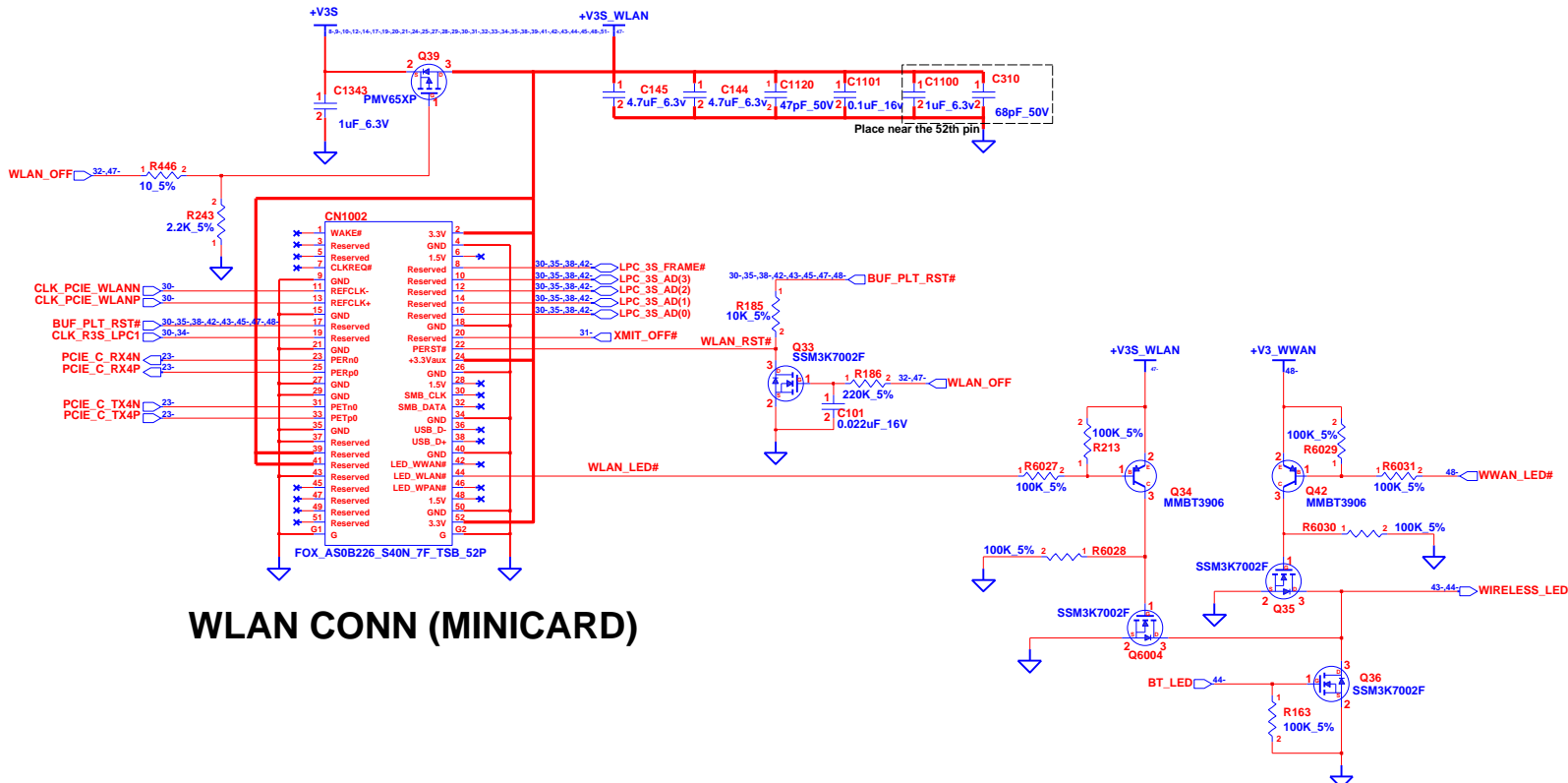
B

C

D

E

F

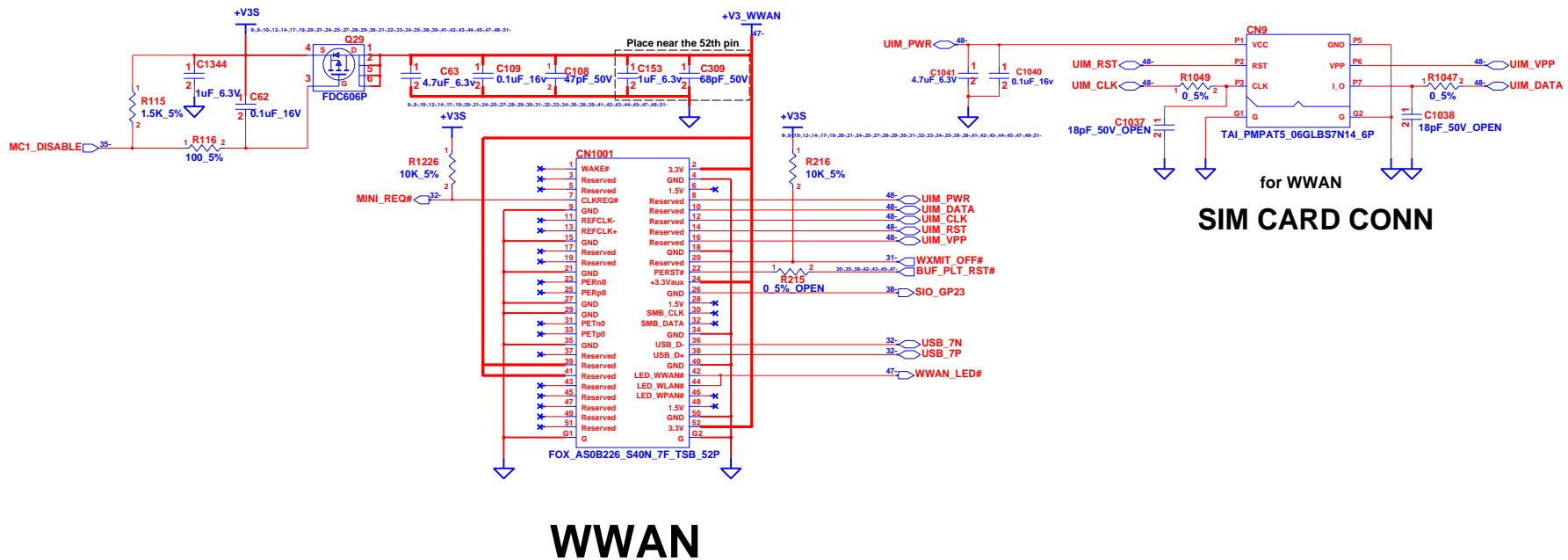


**WLAN CONN (MINICARD)**

**Wireless LED control circuit**

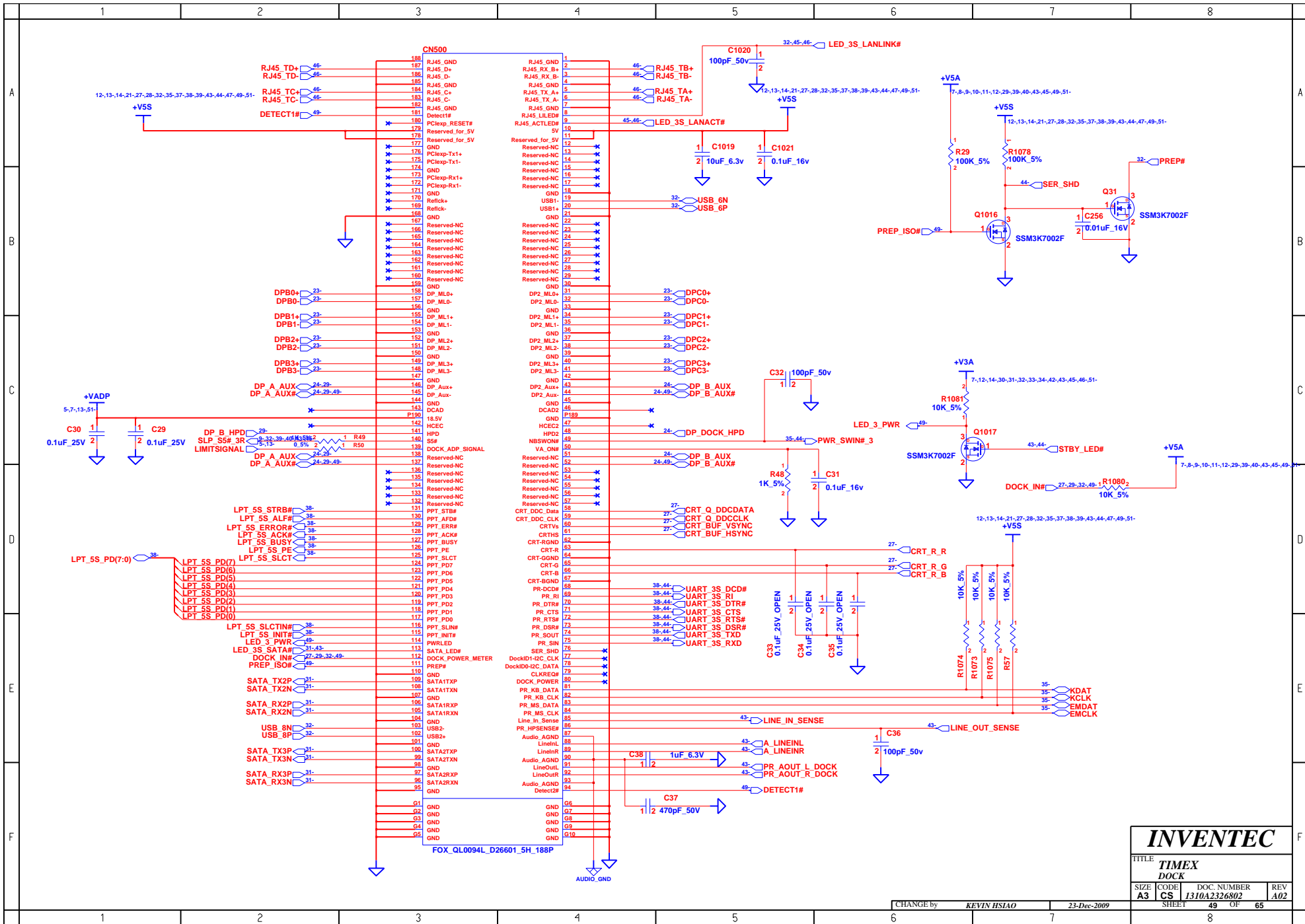
<b>INVENTEC</b>			
TITLE <b>TIMEX</b>			
WLAN			
SIZE <b>A3</b>	CODE <b>CS</b>	DOC NUMBER <b>I310A2326802</b>	REV <b>A02</b>
CHANGE by <b>KEVIN HSIAO</b>		23-Dec-2009	
SHEET <b>47</b>		OF <b>65</b>	

# OPTION PART



<b>INVENTEC</b>			
TITLE <b>TIMEX</b> WWAN & SIM CARD CONN			
SIZE <b>A3</b>	CODE <b>CS</b>	DOC. NUMBER <b>I310A2326802</b>	REV <b>A02</b>
CHANGE by <b>KEVIN HSIAO</b>		23-Dec-2009	
SHEET <b>48</b>		OF <b>65</b>	

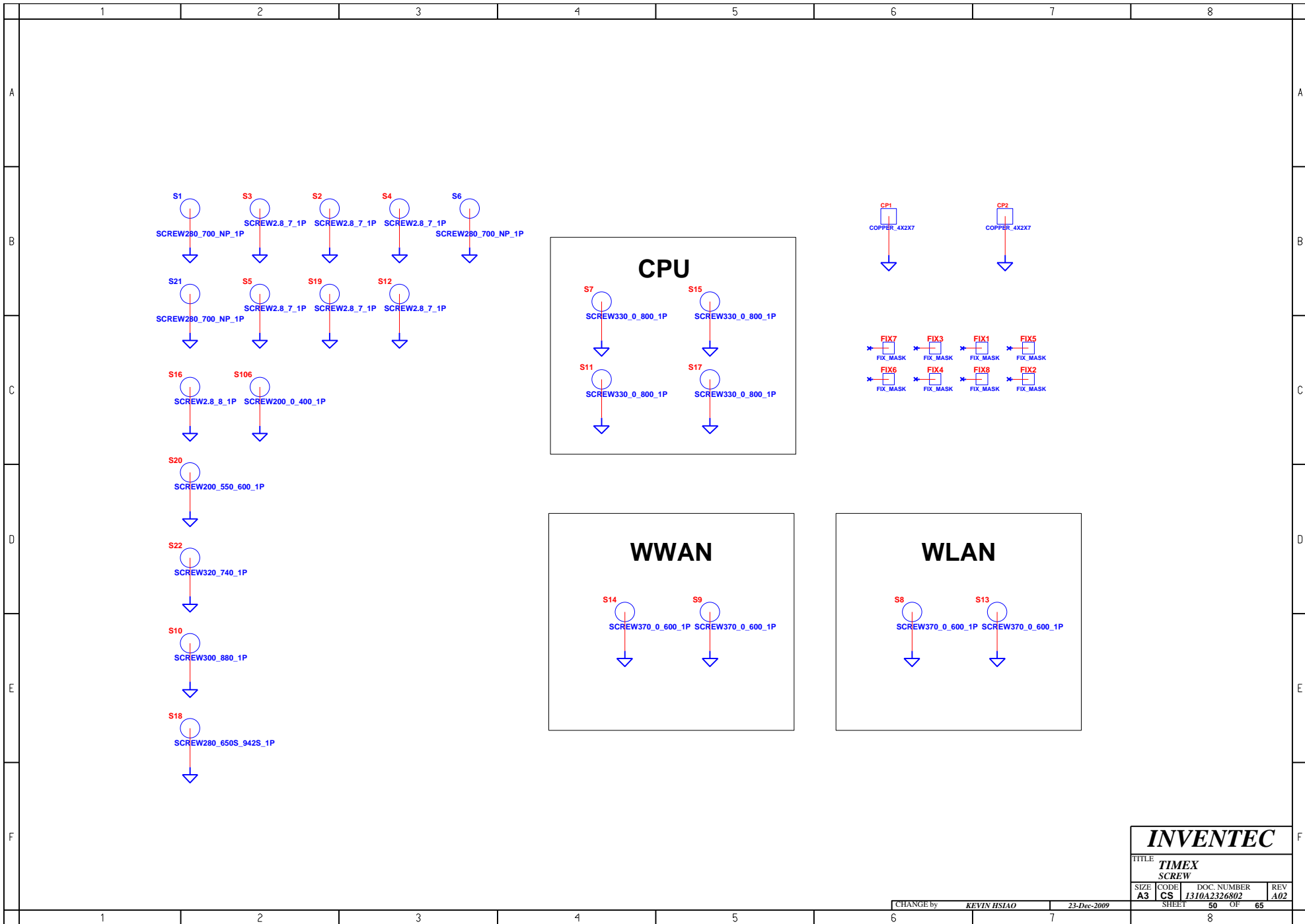




**INVENTEC**

TITLE			
TIMEX DOCK			
SIZE	CODE	DOC. NUMBER	REV
A3	CS	1310A2326802	A02
SHEET		49	OF 65

CHANGE by KEVIN HSIAO 23-Dec-2009

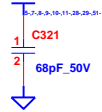


**INVENTEC**

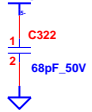
TITLE			
TIMEX			
SCREW			
SIZE	CODE	DOC. NUMBER	REV
A3	CS	1310A2326802	A02
CHANGE by		SHEET	
KEVIN HSIAO		50 OF 65	

23-Dec-2009

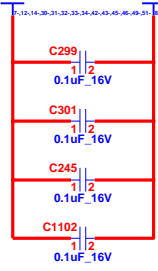
+VBATR



+VBDCR



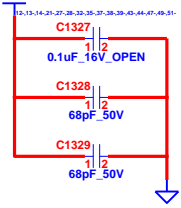
+V3A



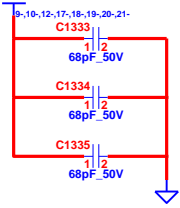
+V3S



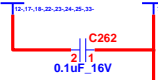
+V5S



+V1.5



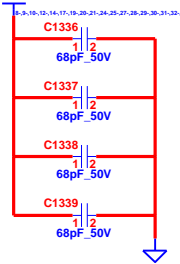
+V1.1S



+V5A



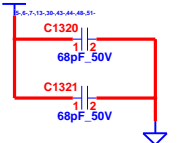
+V3S



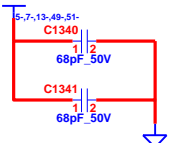
+V3AL



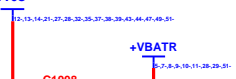
+V3AL



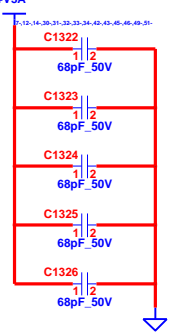
+VADP



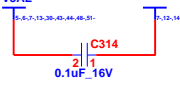
+V5S



+V3A

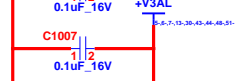


+V3AL



+V3A

+VBATR



+V3AL



+V3A



+VADP



# EMI Capacitors

**INVENTEC**

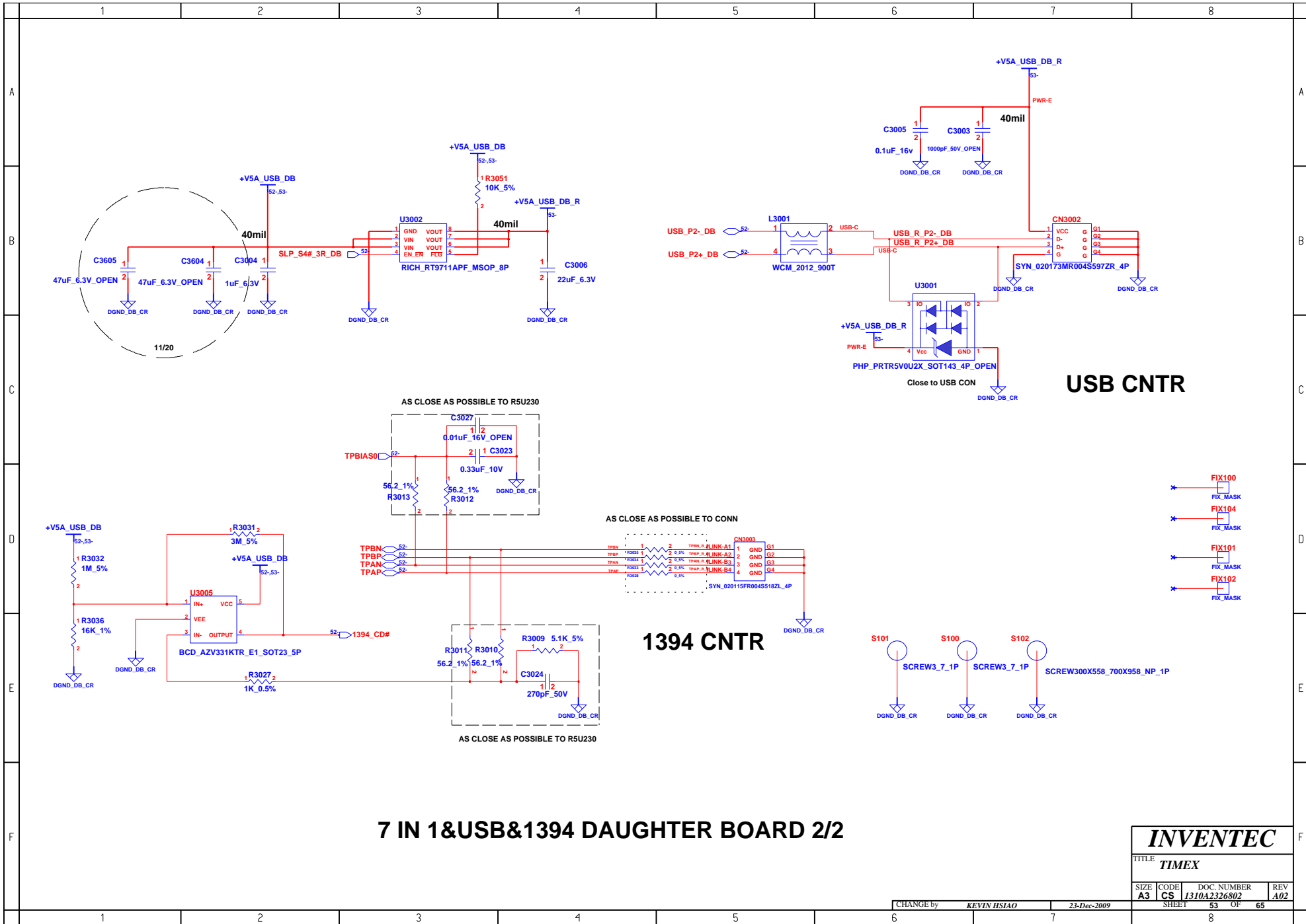
TITLE **TIMEX**

SIZE	CODE	DOC NUMBER	REV
A3	CS	J310A2326802	A02

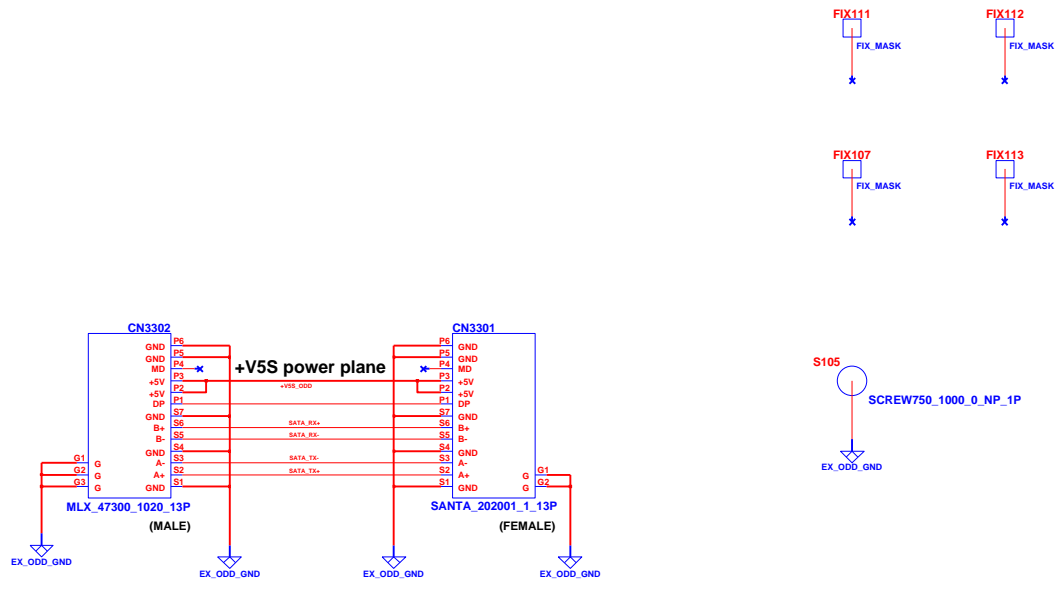
CHANGE by **KEVIN HSIAO** 23-Dec-2009

SHEET 51 OF 65





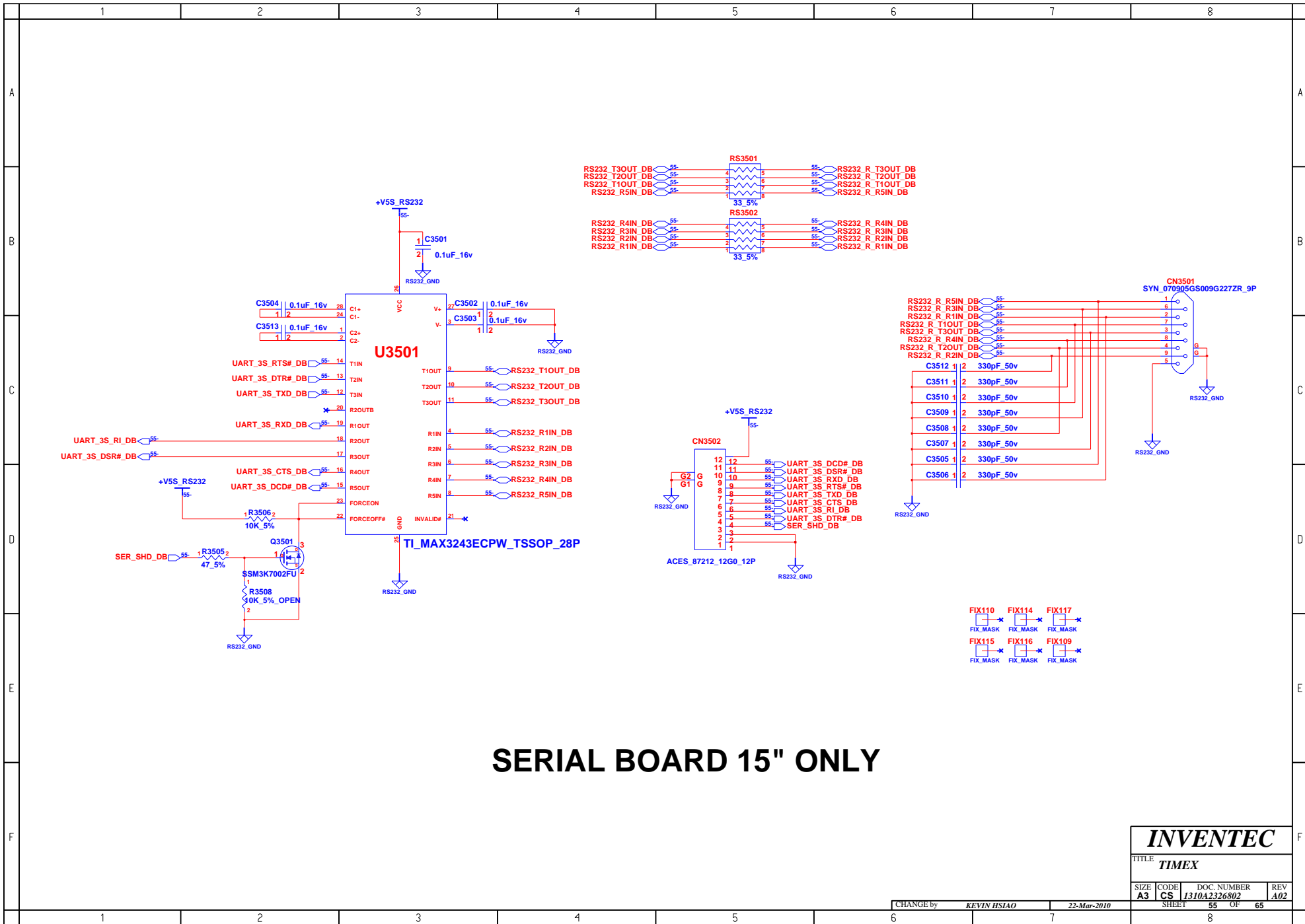
<b>INVENTEC</b>			
TITLE <b>TIMEX</b>			
SIZE <b>A3</b>	CODE <b>CS</b>	DOC NUMBER <b>I310A2326802</b>	REV <b>A02</b>
CHANGE by <b>KEVIN HSIAO</b>		23-Dec-2009	
SHEET <b>53</b>		OF <b>65</b>	

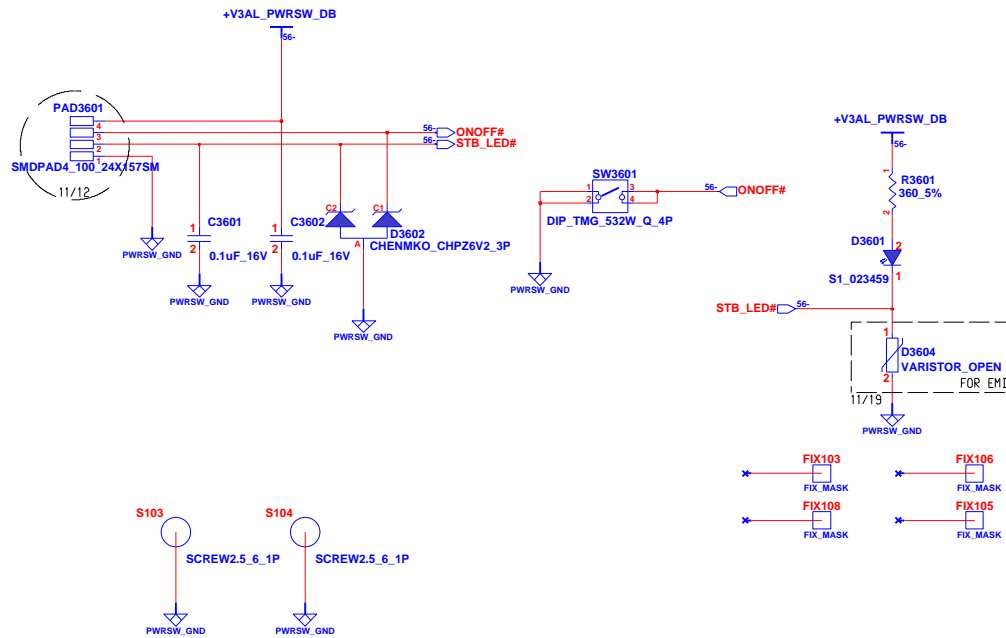


15" only

# ODD Extension Board

<b>INVENTEC</b>			
TITLE <i>TIMEX</i>			
SIZE <b>A3</b>	CODE <b>CS</b>	DOC. NUMBER <i>J310A2326802</i>	REV <b>A02</b>
CHANGE by <i>KEVIN HSIAO</i>		DATE <i>26-Jan-2010</i>	
SHEET		OF	
8		65	





**POWER SWITCH DAUGHTER BOARD**

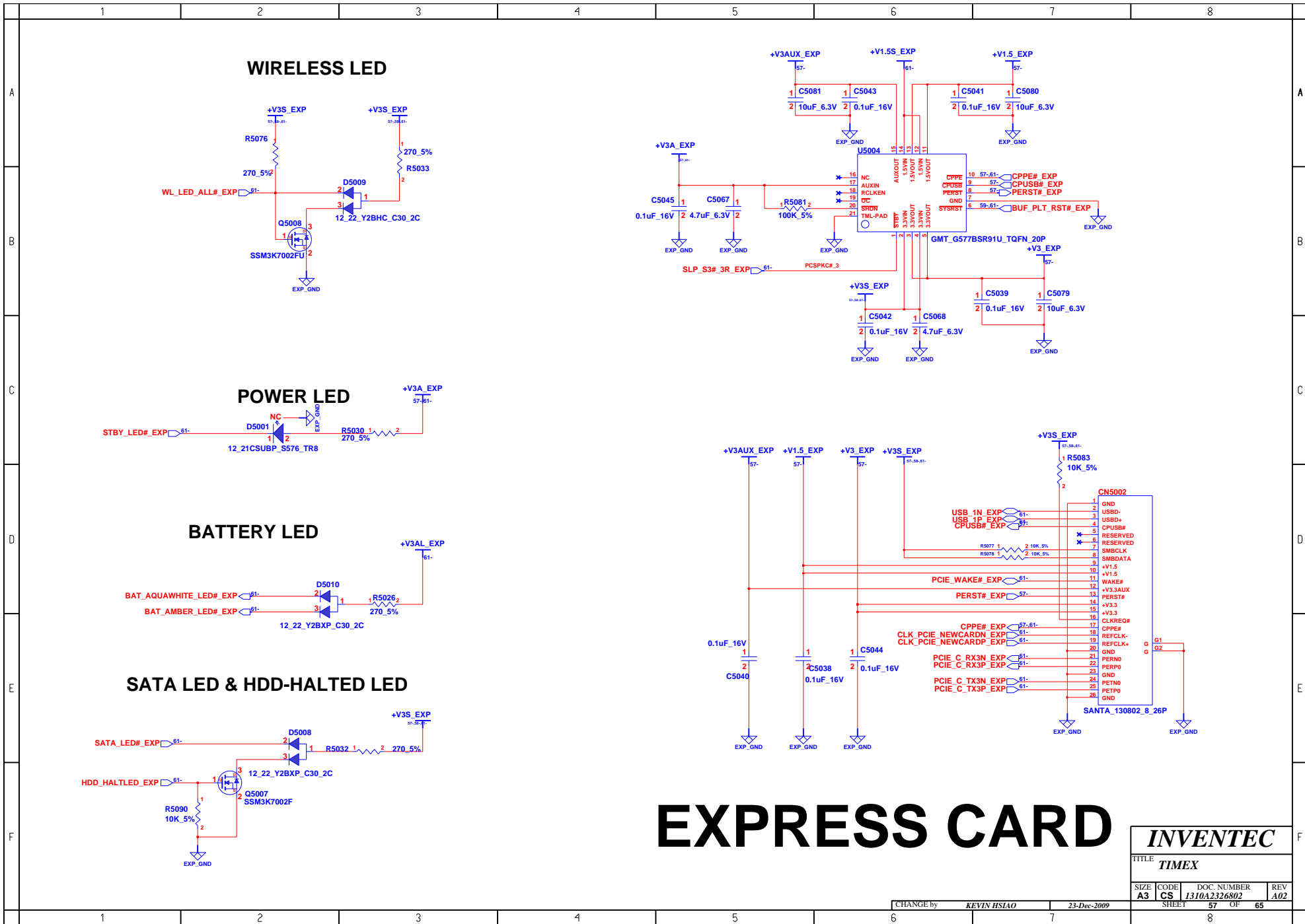
**INVENTEC**

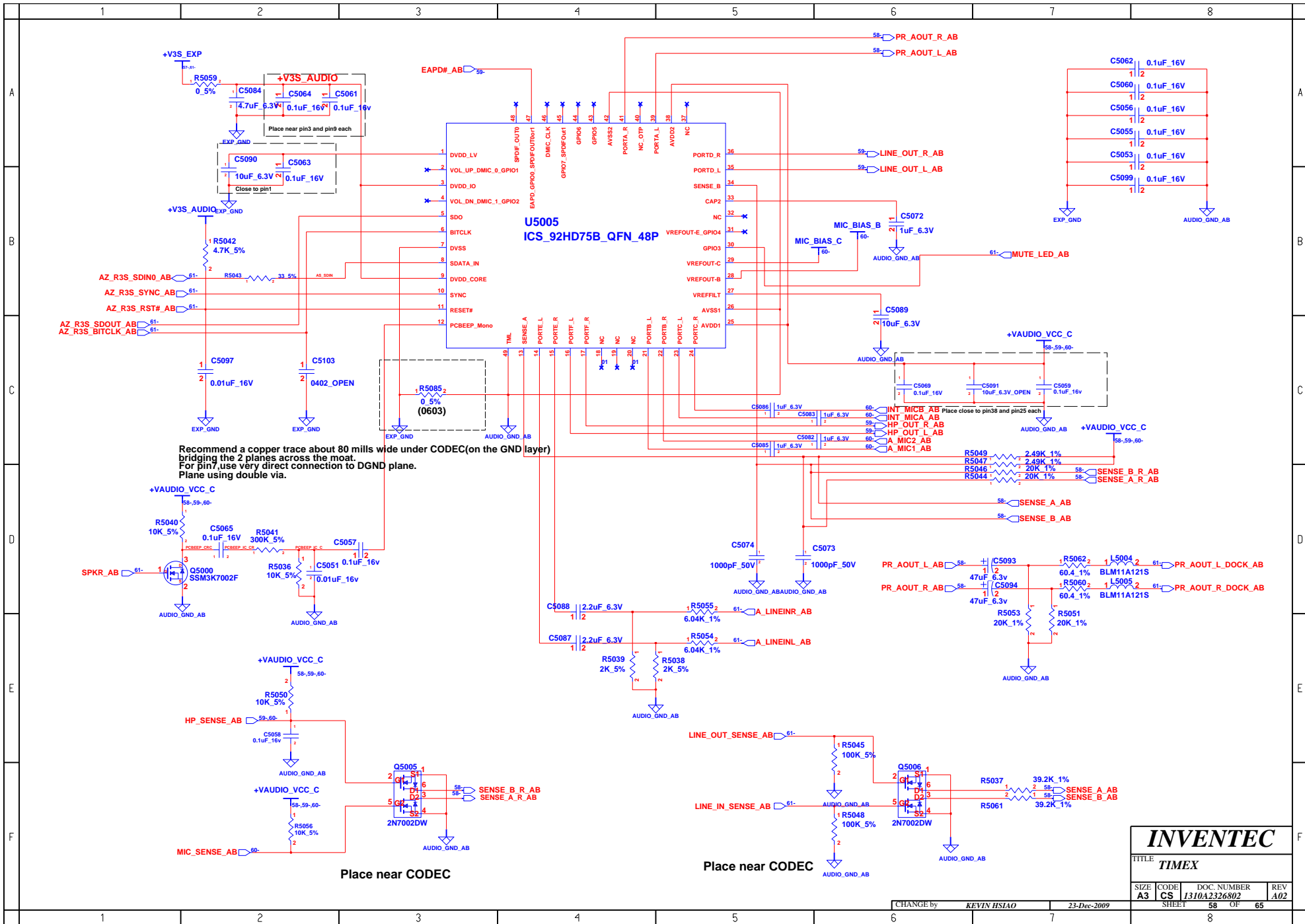
TITLE  
**TIMEX**

SIZE <b>A3</b>	CODE <b>CS</b>	DOC. NUMBER <b>1310A2326802</b>	REV <b>A02</b>
-------------------	-------------------	------------------------------------	-------------------

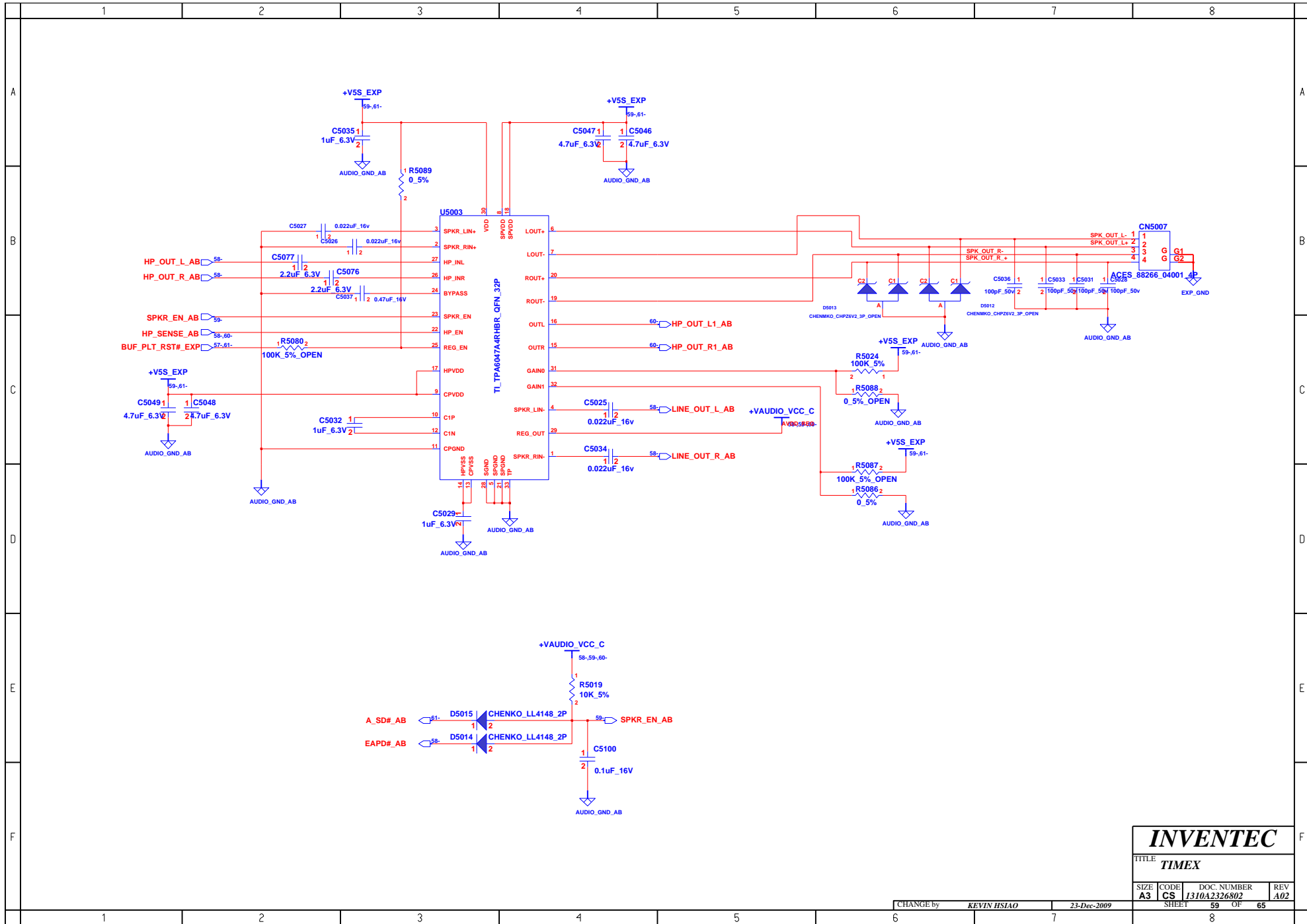
CHANGE by <b>KEVIN HSIAO</b>	DATE <b>23-Mar-2010</b>	SHEET <b>56</b>	OF <b>65</b>
---------------------------------	----------------------------	--------------------	-----------------



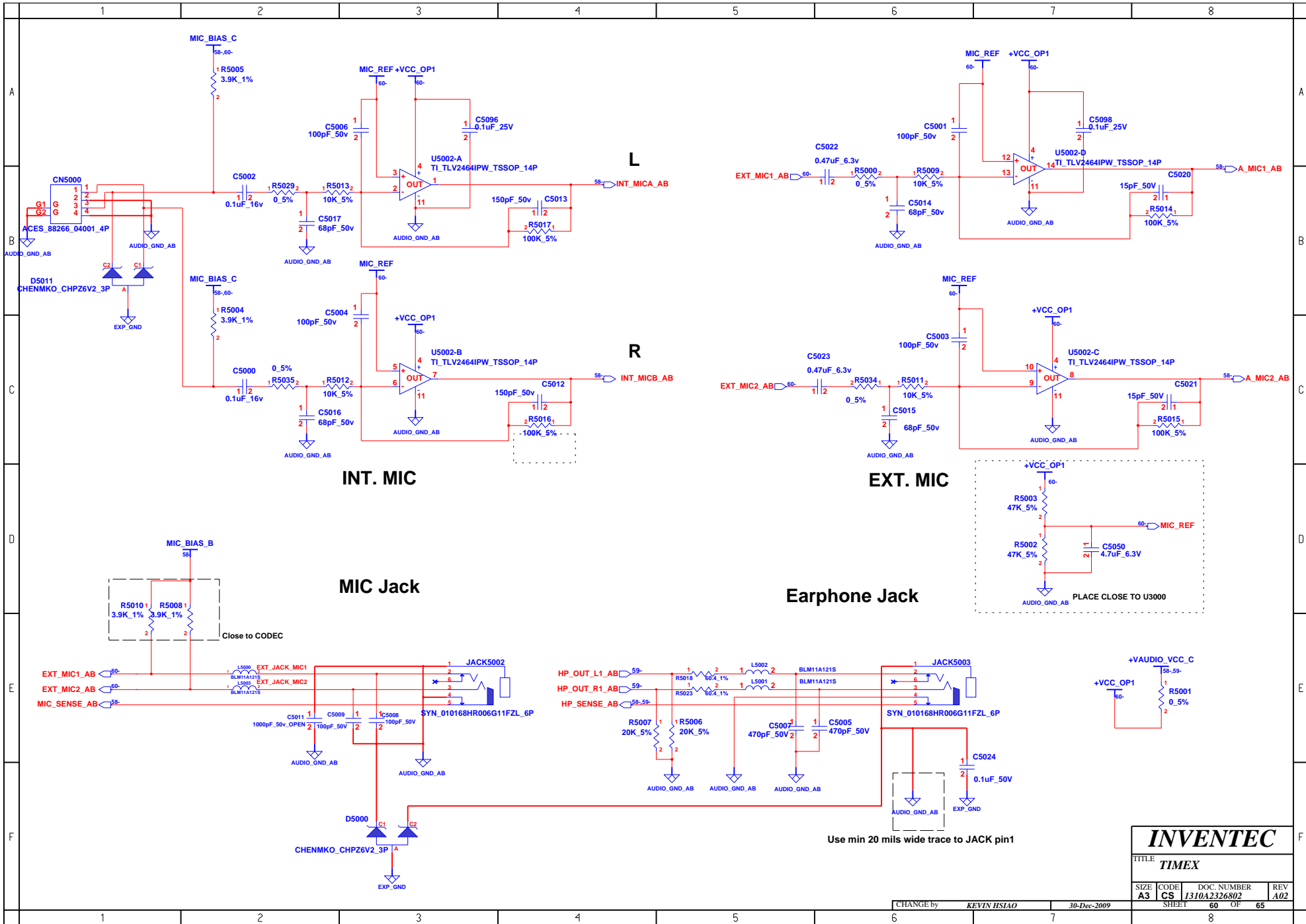




<b>INVENTEC</b>			
TITLE: <b>TIMEX</b>			
SIZE: <b>A3</b>	CODE: <b>CS</b>	DOC. NUMBER: <b>J310A2326802</b>	REV: <b>A02</b>
CHANGE by: <b>KEVIN HSIAO</b>		23-Dec-2009	
SHEET: <b>58</b>		OF: <b>65</b>	



<b>INVENTEC</b>			
TITLE TIMEX			
SIZE A3	CODE CS	DOC. NUMBER J310A2326802	REV A02
CHANGE by KEVIN HSIAO		23-Dec-2009	SHEET 59 OF 65

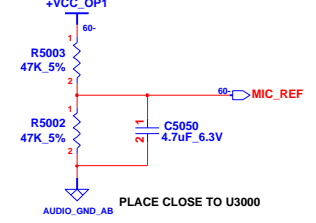


INT. MIC

EXT. MIC

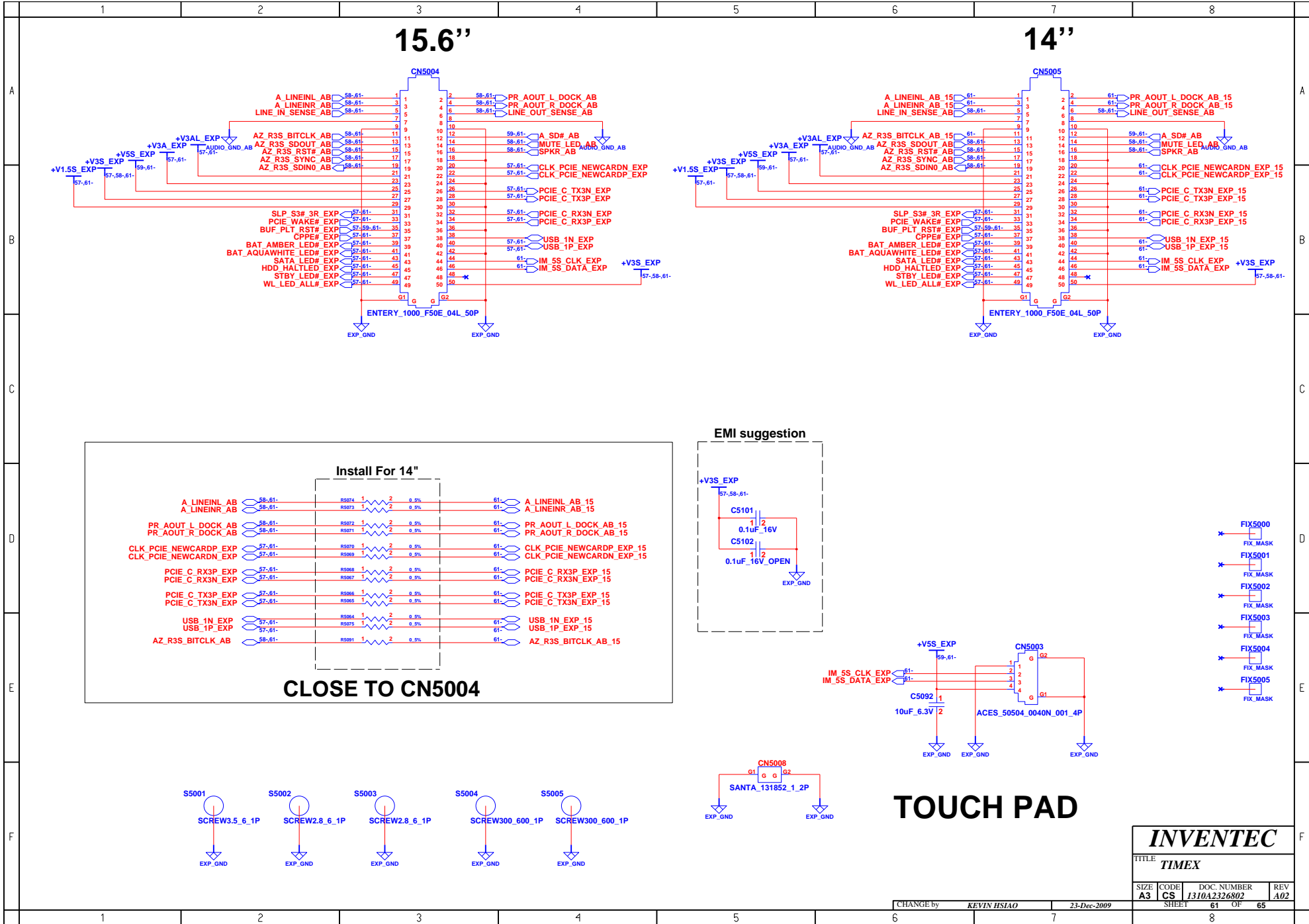
MIC Jack

Earphone Jack

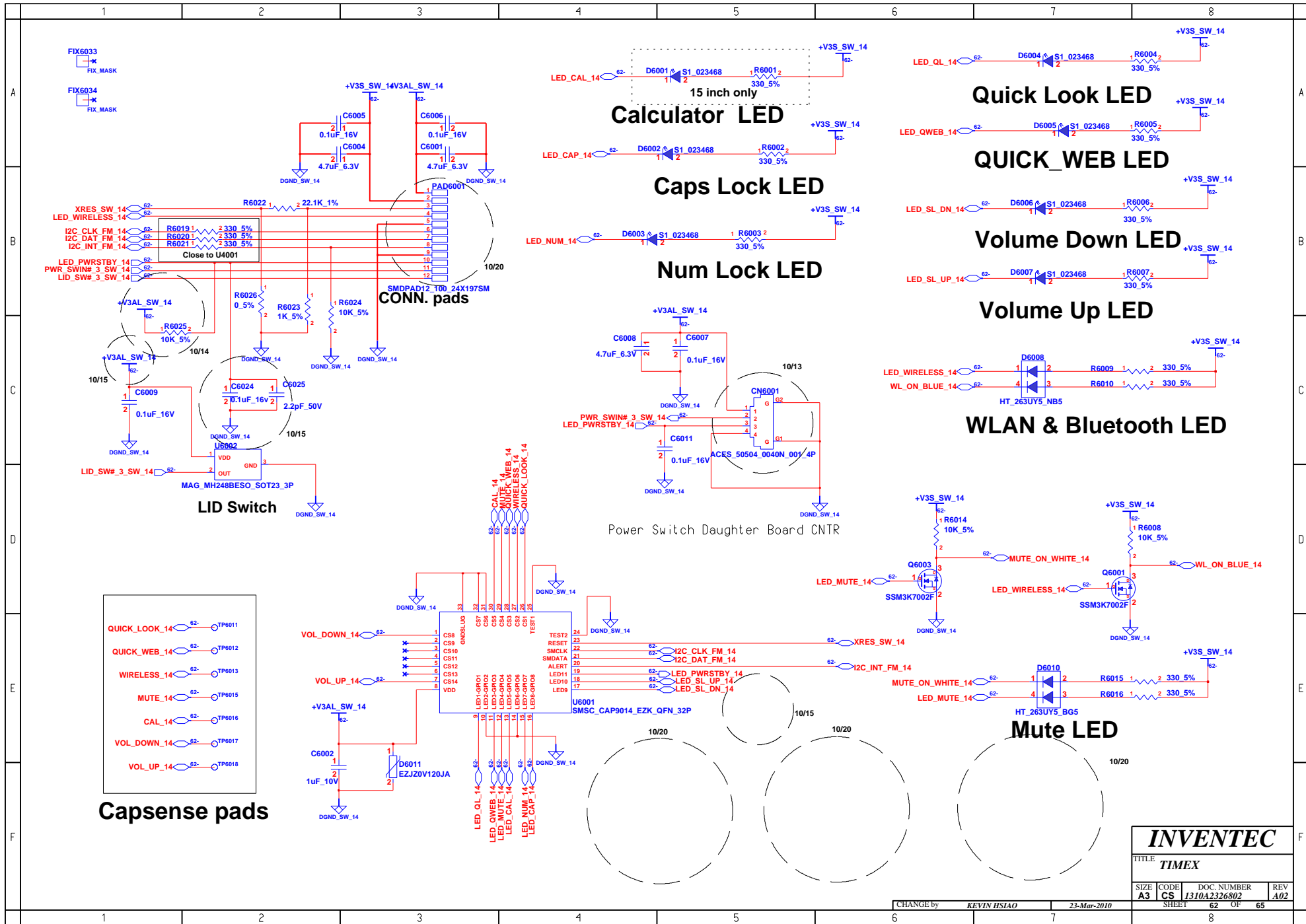


Use min 20 mils wide trace to JACK pin1

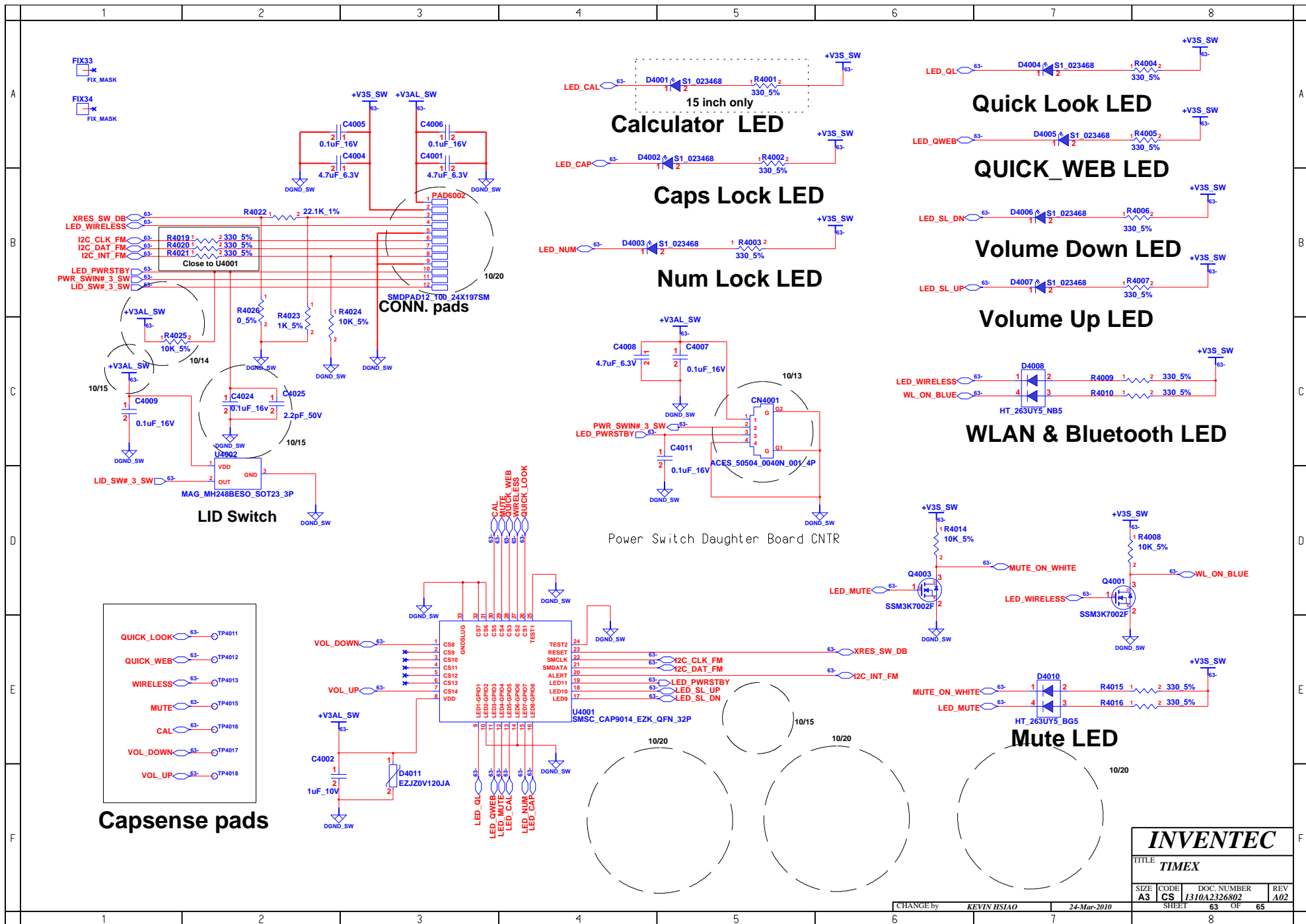
<b>INVENTEC</b>			
TITLE <b>TIMEX</b>			
SIZE <b>A3</b>	CODE <b>CS</b>	DOC NUMBER <b>J310A2326802</b>	REV <b>A02</b>
CHANGE by <b>KEVIN HSIAO</b>		30-Dec-2009	
SHEET <b>60</b>		OF <b>65</b>	



<b>INVENTEC</b>			
TITLE <b>TIMEX</b>			
SIZE <b>A3</b>	CODE <b>CS</b>	DOC. NUMBER <b>1310A2326802</b>	REV <b>A02</b>
CHANGE by <b>KEVIN HSIAO</b>		23-Dec-2009	
SHEET <b>61</b>		OF <b>65</b>	



<b>INVENTEC</b>			
TITLE <b>TIMEX</b>			
SIZE <b>A3</b>	CODE <b>CS</b>	DOC NUMBER <b>J310A2326802</b>	REV <b>A02</b>
CHANGE by <b>KEVIN HSIAO</b>		23-Mar-2010	
SHEET <b>62</b>		OF <b>65</b>	



<b>INVENTEC</b>			
TITLE <b>TIMEX</b>			
SIZE <b>A3</b>	CODE <b>CS</b>	DOC NUMBER <b>J310A2326802</b>	REV <b>A02</b>
CHANGE by <b>KEVIN HSIAO</b>		24-Mar-2010	
SHEET <b>63</b>		OF <b>65</b>	

**BLANK**

**INVENTEC**

TITLE  
**TIMEX**

SIZE <b>A3</b>	CODE <b>CS</b>	DOC. NUMBER <b>1310A2326802</b>	REV <b>A02</b>
-------------------	-------------------	------------------------------------	-------------------

CHANGE by **KEVIN HSIAO** 23-Dec-2009

SHEET **64** OF **65**



**BLANK**

**INVENTEC**

TITLE  
**TIMEX**

SIZE <b>A3</b>	CODE <b>CS</b>	DOC. NUMBER <b>1310A2326802</b>	REV <b>A02</b>
SHEET		<b>65</b>	OF <b>65</b>

CHANGE by **KEVIN HSIAO** 23-Dec-2009