

Compal confidential

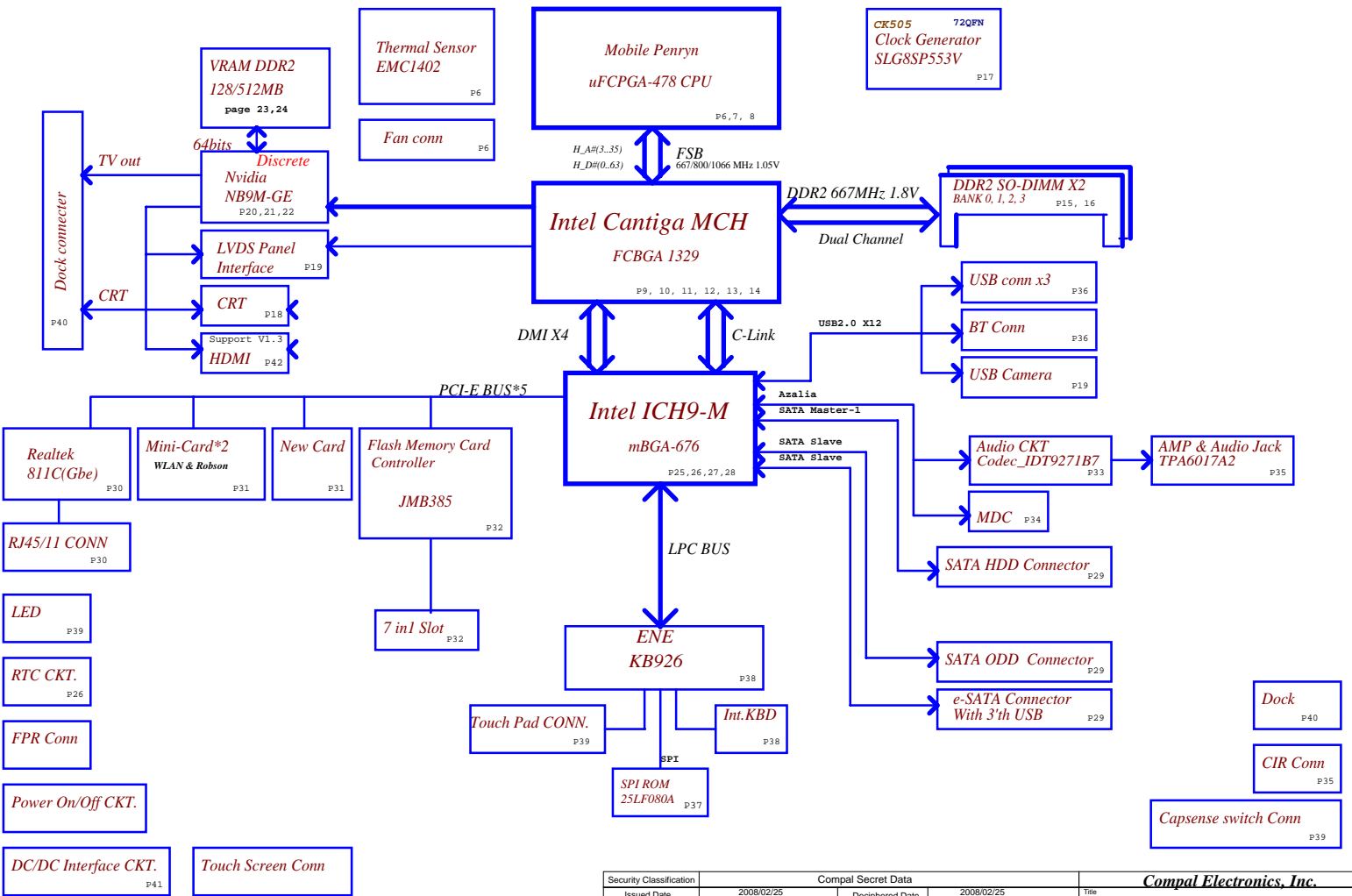
Schematics Document

Mobile Penryn uFCPGA with Intel
Cantiga_PM+ICH9-M core logic

2008-02-25



Security Classification	Compal Secret Data		Title	Compal Electronics, Inc.
Issued Date	2008/02/25	Deciphered Date	2008/02/25	Cover Sheet
<small>THIS SHEET OF ENGINEERING DRAWING IS THE PROPRIETARY PROPERTY OF COMPAL ELECTRONICS, INC. AND CONTAINS CONFIDENTIAL AND TRADE SECRET INFORMATION. THIS SHEET MAY NOT BE TRANSFERRED FROM THE CUSTODY OF THE COMPETENT DIVISION OF R&D DEPARTMENT EXCEPT AS AUTHORIZED BY COMPAL ELECTRONICS, INC. NEITHER THIS SHEET NOR THE INFORMATION IT CONTAINS MAY BE USED BY OR DISCLOSED TO ANY THIRD PARTY WITHOUT PRIOR WRITTEN CONSENT OF COMPAL ELECTRONICS, INC.</small>				Rev. 0.4
Size	Document Number	Date	Sheet 1 of 53	
Custom	LA-4102P Blade discrete	Monday, February 25, 2008		



Security Classification		Compal Secret Data		Title	
Issued Date	2008/02/25	Deciphered Date	2009/02/25	Compal Electronics, Inc.	
THIS SHEET OF ENGINEERING DRAWING IS THE PROPRIETARY PROPERTY OF COMPAL ELECTRONICS, INC. AND CONTAINS CONFIDENTIAL AND TRADE SECRET INFORMATION. THIS SHEET MAY NOT BE TRANSFERRED FROM THE CUSTODY OF THE COMPETENT DIVISION OR DEPARTMENT EXCEPT AS AUTHORIZED BY COMPAL ELECTRONICS, INC. NEITHER THIS SHEET NOR THE INFORMATION IT CONTAINS MAY BE USED BY OR DISCLOSED TO ANY THIRD PARTY WITHOUT PRIOR WRITTEN CONSENT OF COMPAL ELECTRONICS, INC.				Size	Rev
Customer	LA-4102P Blade discrete	Document Number		0.4	
Date	Monday, February 25, 2008	Sheet	2	of 53	

Voltage Rails O MEANS ON X MEANS OFF

power plane / State	+B	+5VALW +3VALW	+1.8V	+5VS +3VS +1.5VS +0.9V +VCCP +CPU_CORE +2.5VS +1.8VS +NVVDD +PCIE
S0	O	O	O	O
S1	O	O	O	O
S3	O	O	O	X
S5 S4/AC	O	O	X	X
S5 S4/ Battery only	O	X	X	X
S5 S4/AC & Battery don't exist	X	X	X	X

Symbol Note :

 : means Digital Ground

 : means Analog Ground

@ : means just reserve , no build
DEBUG@ : means just reserve for debug.

USB assignment:

- USB-0 Right side
- USB-1 Right side
- USB-2 Left side(with ESATA)
- USB-3 Dock
- USB-4 Camera
- USB-5 WLAN
- USB-6 Bluetooth
- USB-7 Finger Printer
- USB-8 MiniCard(WWAN/TV)
- USB-9 Express card
- USB-10 X
- USB-11 X

PCle assignment:

- PCle-1 TV tuner/WWAN/Robeson
- PCle-2 X
- PCle-3 WLAN
- PCle-4 GLAN (Marvell)
- PCle-5 Card reader
- PCle-6 New Card

SMBUS Control Table

	SOURCE	INVERTER	BATT	SERIAL EEPROM	Thermal Sensor	SODIMM	CLK CHIF	MINI CARD	Sensor board	NB9M Thermal Sensor	NB9M	G-sensor
SMB_EC_CK1 SMB_EC_DA1	KB926	X	V	V	X	X	X	X	V	X	X	X
SMB_EC_CK2 SMB_EC_DA2	KB926	X	X	X	V	X	X	X	X	V	V	X
ICH_SMBCLK ICH_SMBDATA	ICH9	X	X	X	X	V	V	V	X	X	X	V

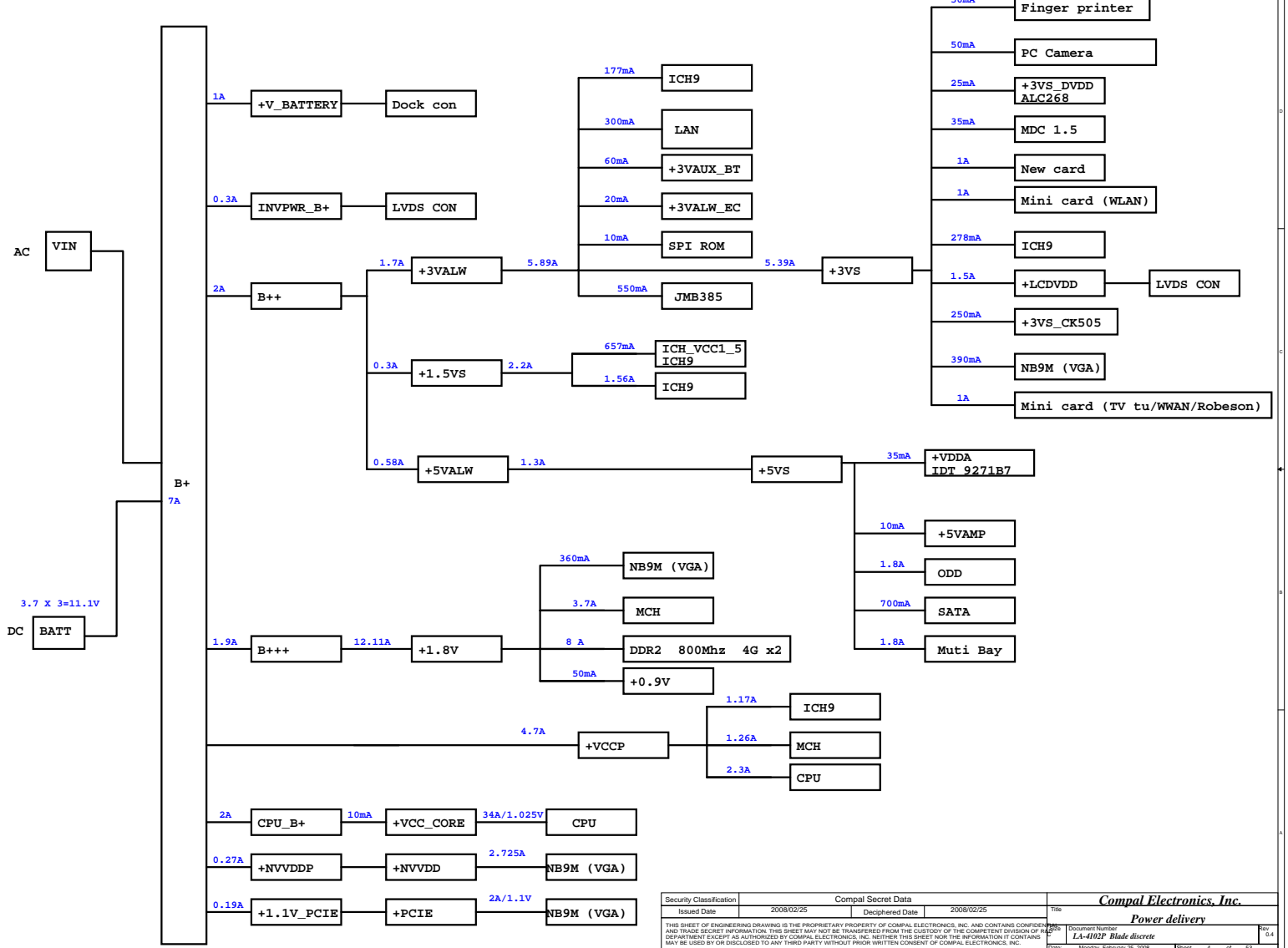
NB9M SMBUS Control Table

	SOURCE	LVDS	CRT	HDMI
DDC2_DATA DDC2_CLK	NB9M	V	X	X
3VDDCDA 3VDDCCL	NB9M	X	V	X
HDMIDAT_VGA HDMICLK_VGA	NB9M	X	X	V

I2C / SMBUS ADDRESSING

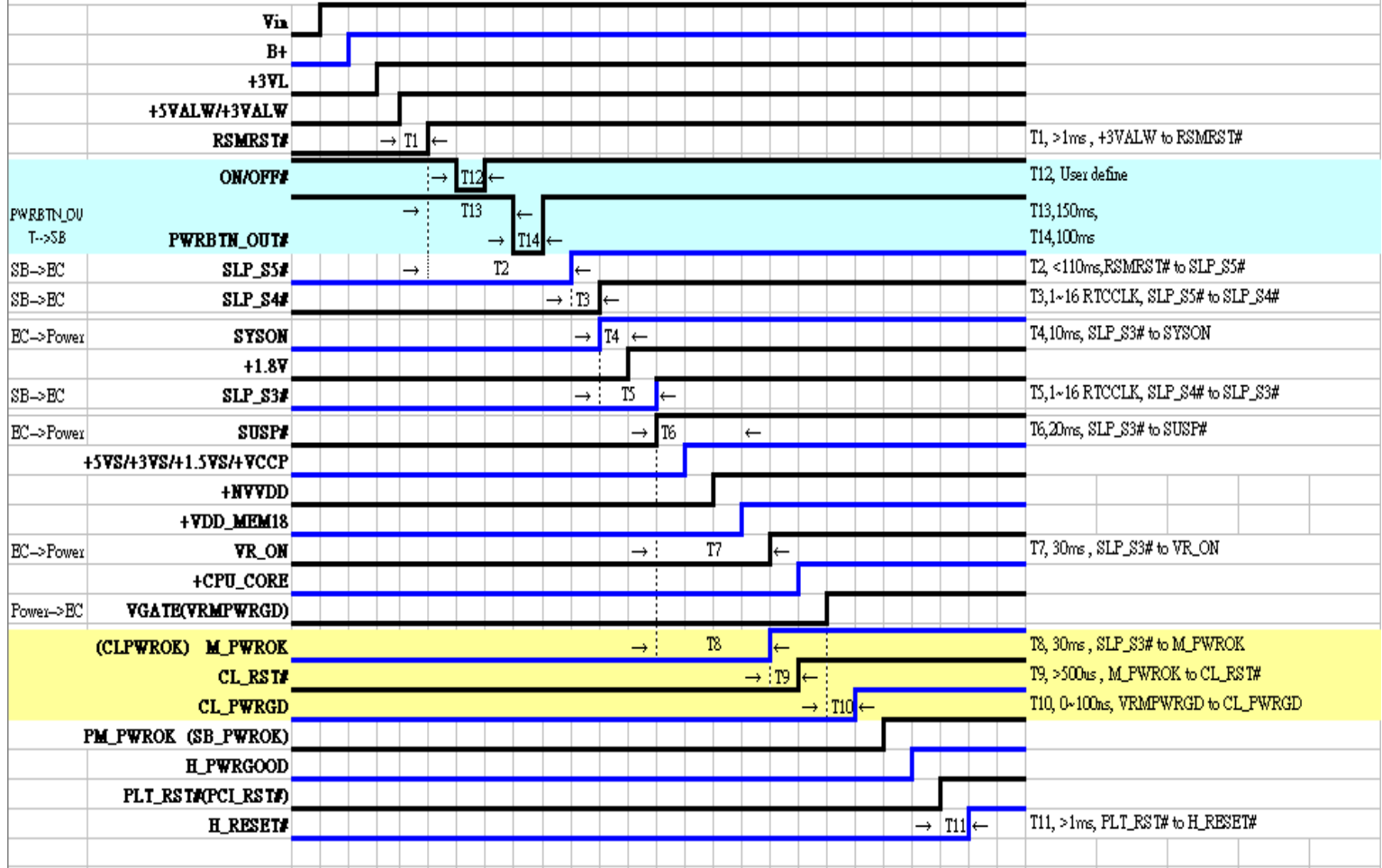
DEVICE	HEX	ADDRESS
DDR SO-DIMM 0	A0	1 0 1 0 0 0 0 0
DDR SO-DIMM 1	A4	1 0 1 0 0 1 0 0
CLOCK GENERATOR (EXT.)	D2	1 1 0 1 0 0 1 0

Security Classification	Compal Secret Data			Title	Compal Electronics, Inc.	
Issued Date	2008/02/25	Deciphered Date	2008/02/25	Notes List		
THIS SHEET OF ENGINEERING DRAWING IS THE PROPRIETARY PROPERTY OF COMPAL ELECTRONICS, INC. AND CONTAINS CONFIDENTIAL AND TRADE SECRET INFORMATION. THIS SHEET MAY NOT BE TRANSFERRED FROM THE CUSTODY OF THE COMPETENT DIVISION OF R&D DEPARTMENT EXCEPT AS AUTHORIZED BY COMPAL ELECTRONICS, INC. NEITHER THIS SHEET NOR THE INFORMATION IT CONTAINS MAY BE USED BY OR DISCLOSED TO ANY THIRD PARTY WITHOUT PRIOR WRITTEN CONSENT OF COMPAL ELECTRONICS, INC.				Size	Document Number	Rev
				Custom	LA-4102P Blade discrete	0.4
				Date	Monday, February 25, 2008	Sheet 3 of 63

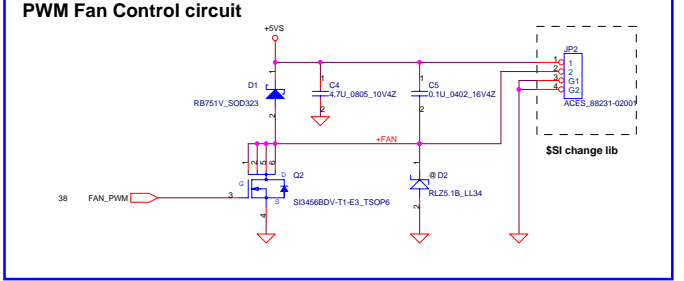
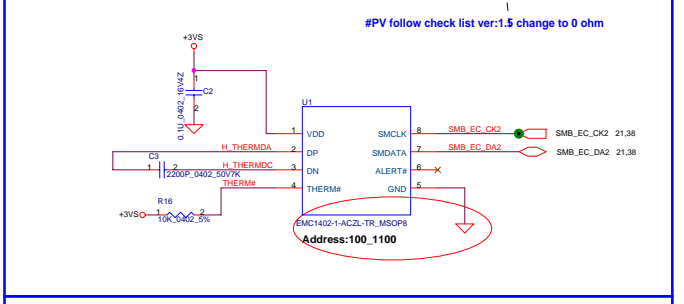
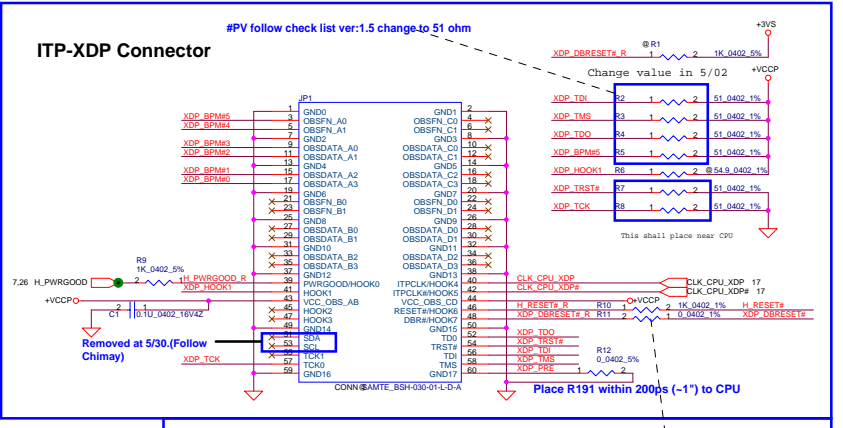
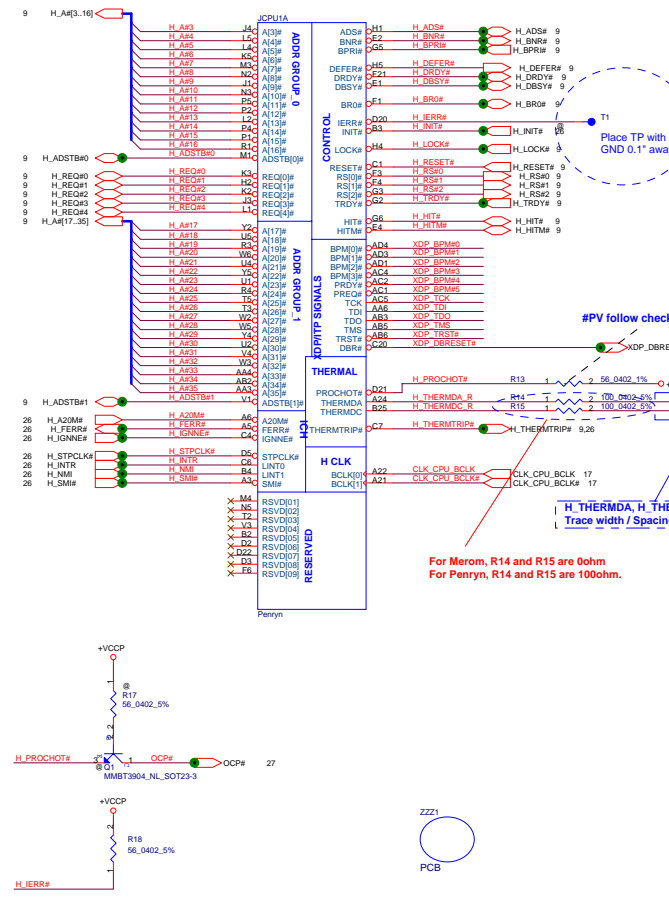


Security Classification	Compal Secret Data		Title	Compal Electronics, Inc.	
Issued Date	2008/02/25	Deciphered Date	2008/02/25	Power delivery	
<small>THIS SHEET OF ENGINEERING DRAWING IS THE PROPRIETARY PROPERTY OF COMPAL ELECTRONICS, INC. AND CONTAINS CONFIDENTIAL AND TRADE SECRET INFORMATION. THIS SHEET MAY NOT BE TRANSFERRED FROM THE CUSTODY OF THE COMPETENT DIVISION OF THE DEPARTMENT EXCEPT AS AUTHORIZED BY COMPAL ELECTRONICS, INC. NEITHER THIS SHEET NOR THE INFORMATION IT CONTAINS MAY BE USED BY OR DISCLOSED TO ANY THIRD PARTY WITHOUT PRIOR WRITTEN CONSENT OF COMPAL ELECTRONICS, INC.</small>			Document Number	LA-102P Blade discrete	Rev. 0.4
			Date	Monday, February 25, 2008	Sheet 4 of 52

JAL50 Discrete power sequence AC mode

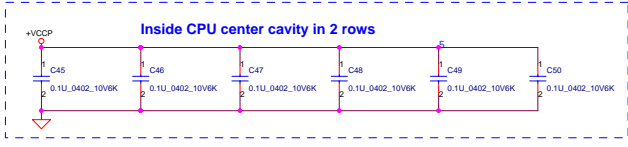
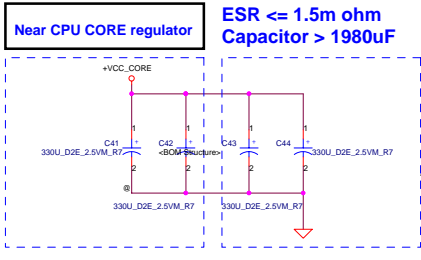
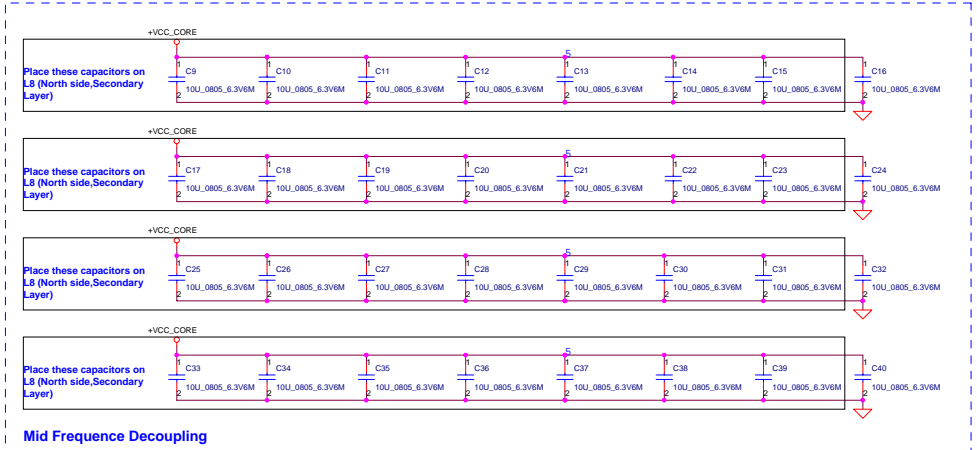


Security Classification	Compal Secret Data		Title	
Issued Date	2008/02/25	Deciphered Date	2008/02/25	Compal Electronics, Inc.
<small>THIS SHEET OF ENGINEERING DRAWING IS THE PROPRIETARY PROPERTY OF COMPAL ELECTRONICS, INC. AND CONTAINS CONFIDENTIAL AND TRADE SECRET INFORMATION. THIS SHEET MAY NOT BE TRANSFERRED FROM THE CUSTODY OF THE COMPETENT DIVISION OF THE DEPARTMENT EXCEPT AS AUTHORIZED BY COMPAL ELECTRONICS, INC. NEITHER THIS SHEET NOR THE INFORMATION IT CONTAINS MAY BE USED BY OR DISCLOSED TO ANY THIRD PARTY WITHOUT PRIOR WRITTEN CONSENT OF COMPAL ELECTRONICS, INC.</small>				Document Number LA-4102P Blade discrete
Date	Monday, February 25, 2008	Sheet	5	of 53

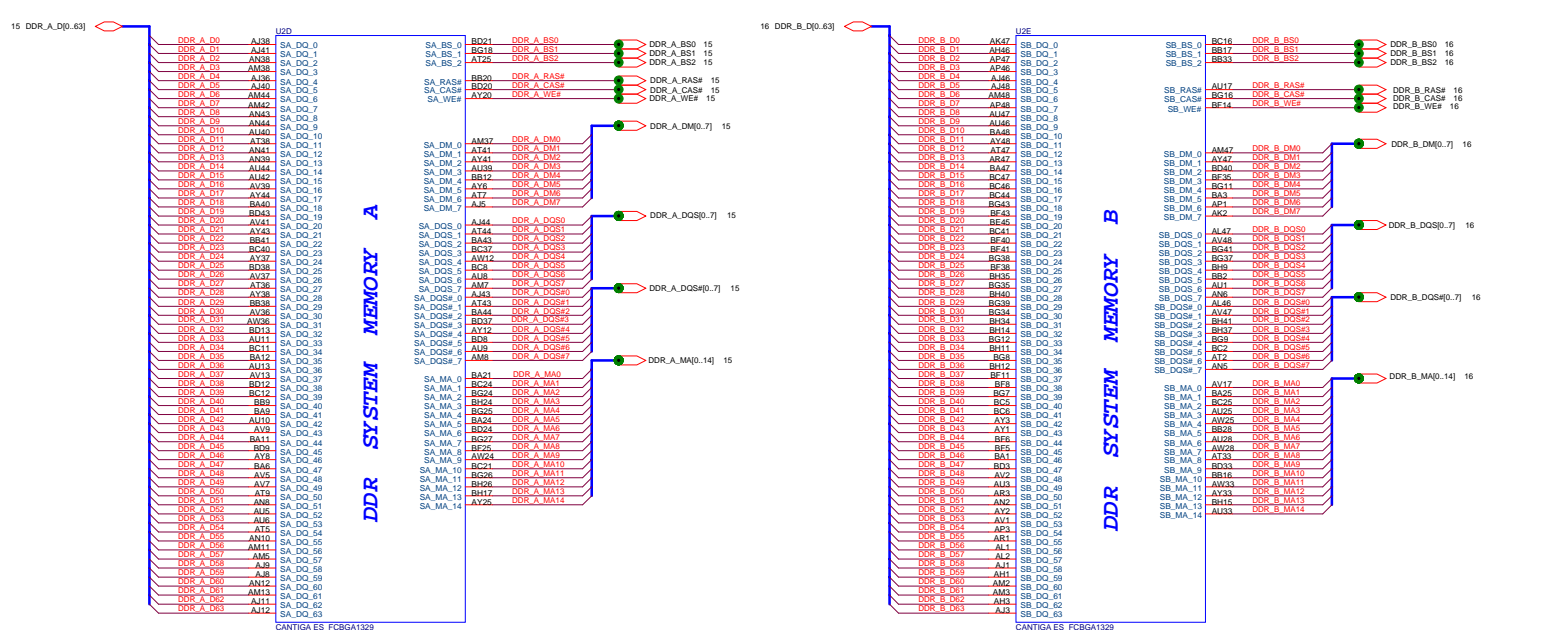


Security Classification		Compal Secret Data		Compal Electronics, Inc.	
Issued Date	2008/02/25	Deciphered Date	2008/02/25	Title	Penryn(1/3)-AGTL+ITP-XDP
THIS SHEET OF ENGINEERING DRAWING IS THE PROPRIETARY PROPERTY OF COMPAL ELECTRONICS, INC. AND CONTAINS CONFIDENTIAL AND TRADE SECRET INFORMATION. THIS SHEET MAY NOT BE TRANSFERRED FROM THE CUSTODY OF THE COMPETENT DIVISION OF R&D DEPARTMENT EXCEPT AS AUTHORIZED BY COMPAL ELECTRONICS, INC. NEITHER THIS SHEET NOR THE INFORMATION IT CONTAINS MAY BE USED BY OR DISCLOSED TO ANY THIRD PARTY WITHOUT PRIOR WRITTEN CONSENT OF COMPAL ELECTRONICS, INC.					
Size	Document Number	Customer	LA-4102P Blade discrete	Rev	0.4
Date	Monday, February 25, 2008	Sheet	6	of	53

ICPUID		
A4	VSS001	P6
A4	VSS002	P21
A11	VSS003	P24
A14	VSS004	R2
A18	VSS005	R22
A21	VSS006	R22
A22	VSS007	T1
A22	VSS008	T1
B6	VSS009	T23
B6	VSS010	T23
B11	VSS011	T26
B13	VSS012	T3
B16	VSS013	U8
B21	VSS014	U24
B24	VSS015	U24
C2	VSS016	V2
C2	VSS017	V2
C4	VSS018	V22
C11	VSS019	W2
C14	VSS020	W1
C16	VSS021	W4
C19	VSS022	W23
C22	VSS023	Y3
C22	VSS024	Y3
D25	VSS025	Y21
D11	VSS026	Y21
D4	VSS027	Y24
D8	VSS028	Y22
D11	VSS029	Y24
D18	VSS030	JA8
D18	VSS031	JA11
D23	VSS032	JA18
D23	VSS033	JA16
D26	VSS034	JA15
E4	VSS035	JA2
E6	VSS036	JA22
E11	VSS037	JA8
E14	VSS038	JA8
E16	VSS039	JA11
E21	VSS040	JA8
E21	VSS041	JA12
E24	VSS042	JA12
E24	VSS043	JA13
F2	VSS044	JA2
F8	VSS045	JA26
F11	VSS046	JA2
F13	VSS047	JA2
F18	VSS048	AC11
F19	VSS049	AC11
F2	VSS050	AC14
F22	VSS051	AC14
F25	VSS052	AC19
G4	VSS053	AC21
G11	VSS054	AC24
G23	VSS055	AD2
G26	VSS056	AD5
H3	VSS057	AD8
H6	VSS058	AD11
H21	VSS059	AD13
H24	VSS060	AD16
J2	VSS061	AD19
J6	VSS062	AD22
K2	VSS063	AE1
K4	VSS064	AE1
K4	VSS065	AE4
K4	VSS066	AE8
K23	VSS067	AE11
K26	VSS068	AE14
L3	VSS069	AE16
L6	VSS070	AE19
L21	VSS071	AE22
L24	VSS072	AE22
M2	VSS073	AF2
M2	VSS074	AF6
M22	VSS075	AF8
M26	VSS076	AF11
N1	VSS077	AF13
N2	VSS078	AF16
N23	VSS079	AF19
N26	VSS080	AF22
P6	VSS081	AF22



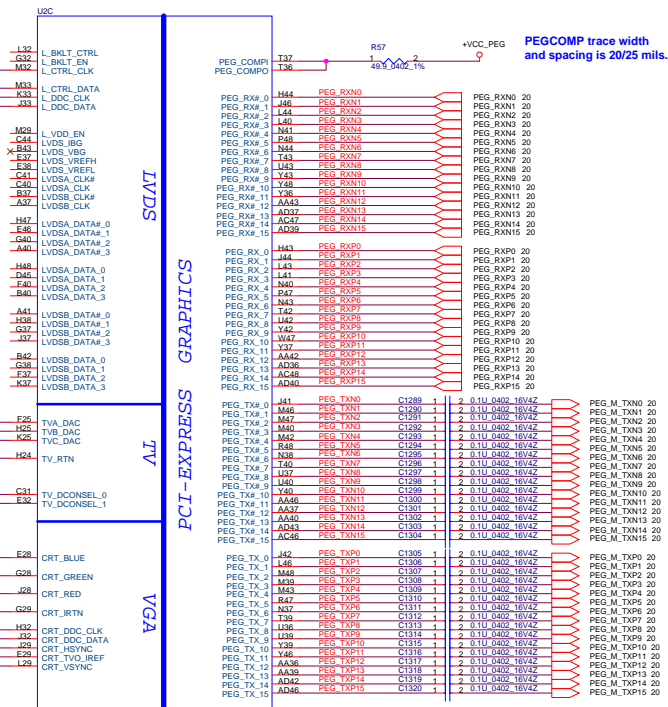
Security Classification	Compal Secret Data		Title	
Issued Date	2008/02/25	Deciphered Date	2008/02/25	Penryn(3/3)-AGTL+/ITP-XDP
THIS SHEET OF ENGINEERING DRAWING IS THE PROPRIETARY PROPERTY OF COMPAL ELECTRONICS, INC. AND CONTAINS CONFIDENTIAL AND TRADE SECRET INFORMATION. THIS SHEET MAY NOT BE TRANSFERRED FROM THE CUSTODY OF THE COMPETENT DIVISION OF R&D DEPARTMENT EXCEPT AS AUTHORIZED BY COMPAL ELECTRONICS, INC. NEITHER THIS SHEET NOR THE INFORMATION IT CONTAINS MAY BE USED BY OR DISCLOSED TO ANY THIRD PARTY WITHOUT PRIOR WRITTEN CONSENT OF COMPAL ELECTRONICS, INC.				
Size	Document Number	Rev	0.4	
Custom	LA-4102P Blade discrete	Date	Monday, February 25, 2008	Sheet 8 of 53



CANTIGA ES_FCBGA1329

CANTIGA ES_FCBGA1329

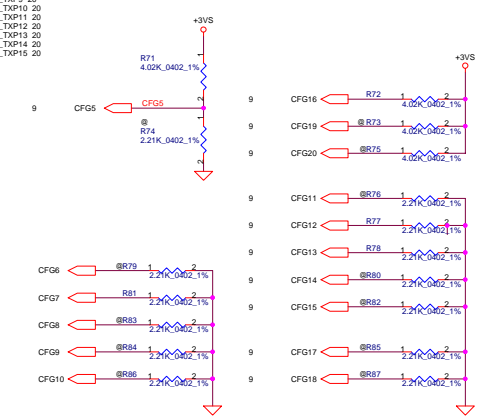
Security Classification	Compal Secret Data		Compal Electronics, Inc.	
Issued Date	2008/02/25	Deciphered Date	2008/02/25	Title
THIS SHEET OF ENGINEERING DRAWING IS THE PROPRIETARY PROPERTY OF COMPAL ELECTRONICS, INC. AND CONTAINS CONFIDENTIAL AND TRADE SECRET INFORMATION. THIS SHEET MAY NOT BE TRANSFERRED FROM THE CUSTODY OF THE COMPETENT DIVISION OF R&D DEPARTMENT EXCEPT AS AUTHORIZED BY COMPAL ELECTRONICS, INC. NEITHER THIS SHEET NOR THE INFORMATION IT CONTAINS MAY BE USED BY OR DISCLOSED TO ANY THIRD PARTY WITHOUT PRIOR WRITTEN CONSENT OF COMPAL ELECTRONICS, INC.				Cantiga(2/6)-DDR2 A/B CH Document Number LA-1102P Blade discrete Rev. 0.4
Date	Monday, February 25, 2008	Sheet	19	of 53



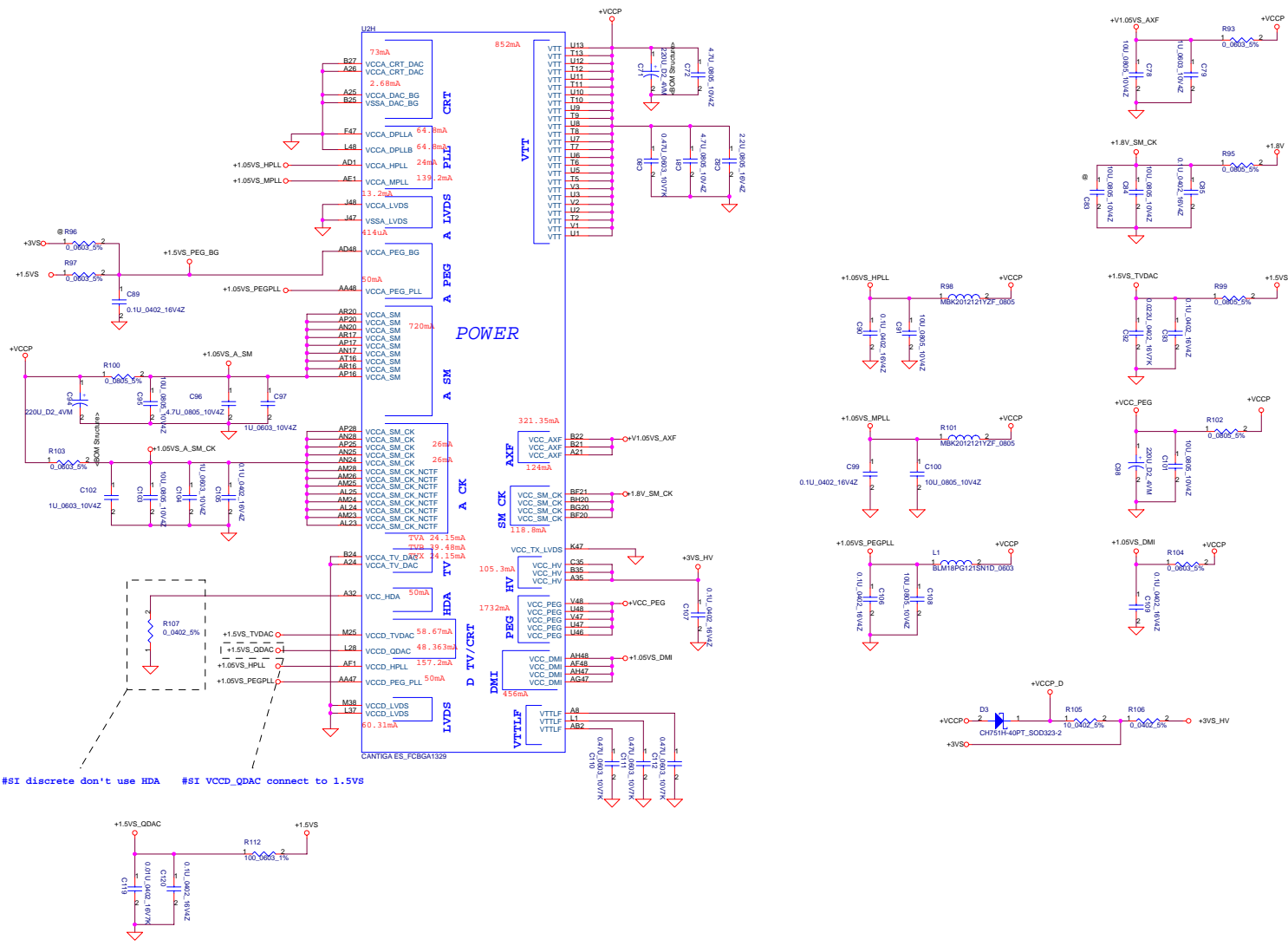
Strap Pin Table

CFG[2:0] FSB Freq select	000 = FSB 1066MHz 010 = FSB 800MHz 011 = FSB 667MHz Others = Reserved
CFG[4:3]	Reserved
CFG5 (DMI select)	0 = DMI x 2 1 = DMI x 4 *
CFG6	0 = The ITPM Host Interface is enable 1 = The ITPM Host Interface is disable *
CFG7 (Intel Management Engine Crypto strap)	0 = (TLS)chipper suite with no confidentiality 1 = (TLS)chipper suite with confidentiality *
CFG8	Reserved
CFG9 (PCIe Graphics Lane Reversal)	0 = Reverse Lane,15->0, 14->1 1 = Normal Operation,Lane Number in order *
CFG10 (PCIe Lookback enable)	0 = Enable 1 = Disable *
CFG11	Reserved
CFG[13:12] (XOR/ALLZ)	00 = Reserved 01 = XOR Mode Enabled 10 = All Z Mode Enabled 11 = Normal Operation (Default) *
CFG[15:14]	Reserved
CFG16 (FSB Dynamic ODT)	0 = Disabled 1 = Enabled *
CFG[18:17]	Reserved
CFG19 (DMI Lane Reversal)	0 = Normal Operation (Lane number in Order) * 1 = Reverse Lane
CFG20 (PCIe/SDVO concurrent)	0 = Only PCIe or SDVO is operational. * 1 = PCIe/SDVO are operating simul.

#PV follow check list ver:1.5



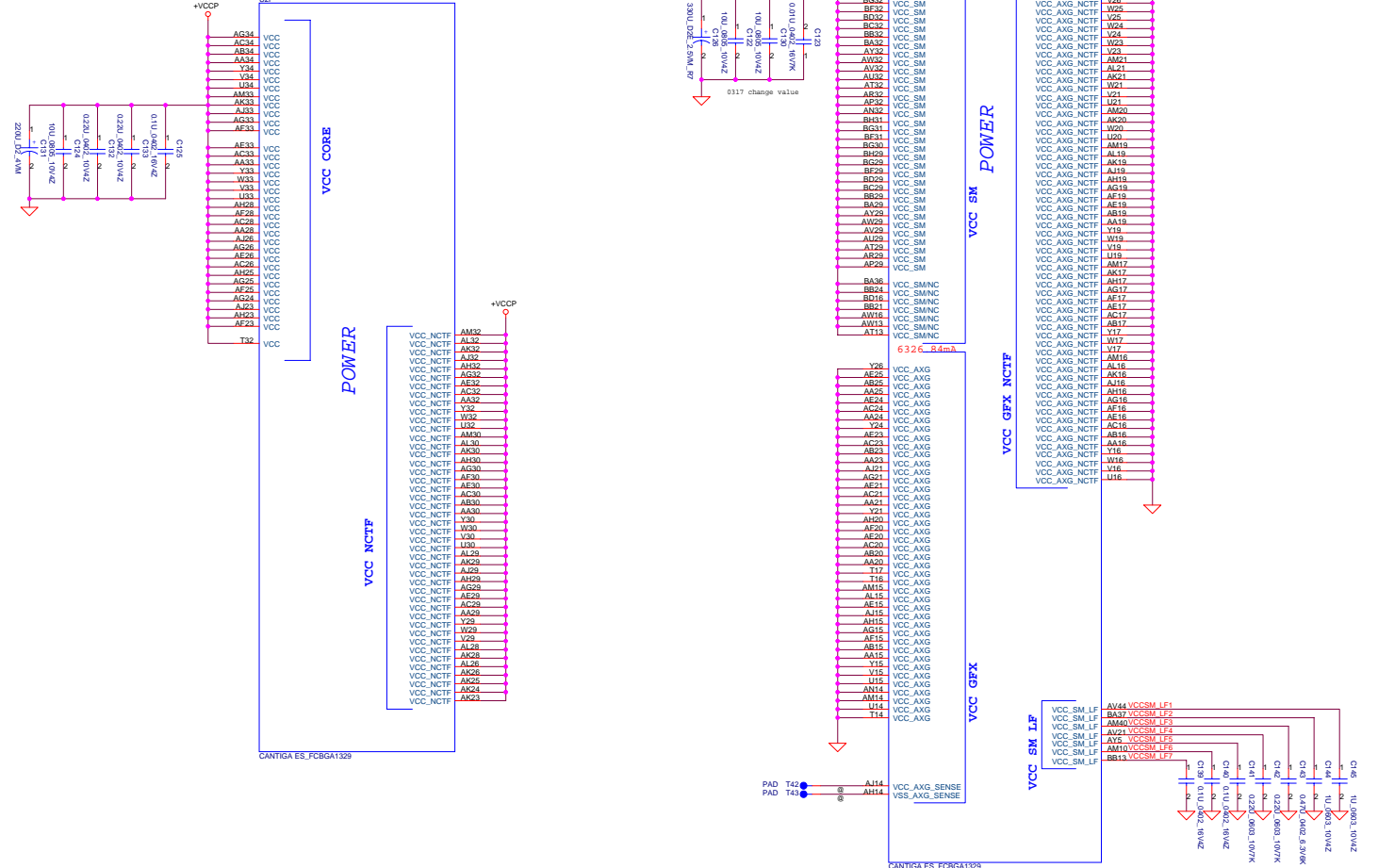
Security Classification		Compal Secret Data		Title	
Issued Date	2008/02/25	Deciphered Date	2009/02/25	Compal Electronics, Inc.	
THIS SHEET OF ENGINEERING DRAWING IS THE PROPRIETARY PROPERTY OF COMPAL ELECTRONICS, INC. AND CONTAINS CONFIDENTIAL AND TRADE SECRET INFORMATION. THIS SHEET MAY NOT BE TRANSFERRED FROM THE CUSTODY OF THE COMPETENT DIVISION OF R&D DEPARTMENT EXCEPT AS AUTHORIZED BY COMPAL ELECTRONICS, INC. NEITHER THIS SHEET NOR THE INFORMATION IT CONTAINS MAY BE USED BY OR DISCLOSED TO ANY THIRD PARTY WITHOUT PRIOR WRITTEN CONSENT OF COMPAL ELECTRONICS, INC.				Size	Rev
Customer	LA-4102P Blade discrete	Sheet	11	of	53
Date	Monday, February 25, 2008	Sheet	11	of	53



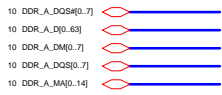
Security Classification	Compal Secret Data		Title	
Issued Date	2008/02/25	Deciphered Date	2008/02/25	Size
THIS SHEET OF ENGINEERING DRAWING IS THE PROPRIETARY PROPERTY OF COMPAL ELECTRONICS, INC. AND CONTAINS CONFIDENTIAL AND TRADE SECRET INFORMATION. THIS SHEET MAY NOT BE TRANSFERRED FROM THE CUSTODY OF THE COMPETENT DIVISION OF R&D DEPARTMENT EXCEPT AS AUTHORIZED BY COMPAL ELECTRONICS, INC. NEITHER THIS SHEET NOR THE INFORMATION IT CONTAINS MAY BE USED BY OR DISCLOSED TO ANY THIRD PARTY WITHOUT PRIOR WRITTEN CONSENT OF COMPAL ELECTRONICS, INC.				Document Number
				Rev
				0.4
				Date
				Monday, February 25, 2008
				Sheet
				12 of 53

Compal Electronics, Inc.
Cantiga(4/6)-PWR
 Document Number
LA-4102P Blade discrete

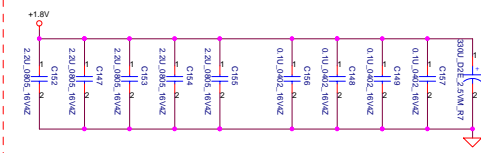
Extrenal Graphic: 1210.34mA
Integrated Graphic: 1930.4mA



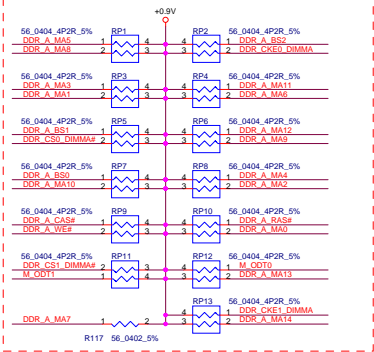
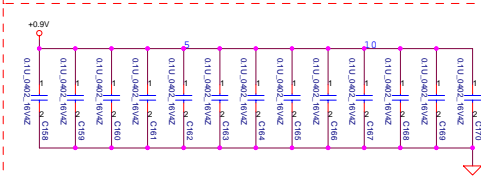
Security Classification	Compal Secret Data		Title	
Issued Date	2008/02/25	Deciphered Date	2008/02/25	Compal Electronics, Inc.
THIS SHEET OF ENGINEERING DRAWING IS THE PROPRIETARY PROPERTY OF COMPAL ELECTRONICS, INC. AND CONTAINS CONFIDENTIAL AND TRADE SECRET INFORMATION. THIS SHEET MAY NOT BE TRANSFERRED FROM THE CUSTODY OF THE COMPETENT DIVISION OF R&D DEPARTMENT EXCEPT AS AUTHORIZED BY COMPAL ELECTRONICS, INC. NEITHER THIS SHEET NOR THE INFORMATION IT CONTAINS MAY BE USED BY OR DISCLOSED TO ANY THIRD PARTY WITHOUT PRIOR WRITTEN CONSENT OF COMPAL ELECTRONICS, INC.				Rev. 0.4
Size: Document Number Custom: LA-4102P Blade discrete Date: Monday, February 25, 2008 Sheet 13 of 53				



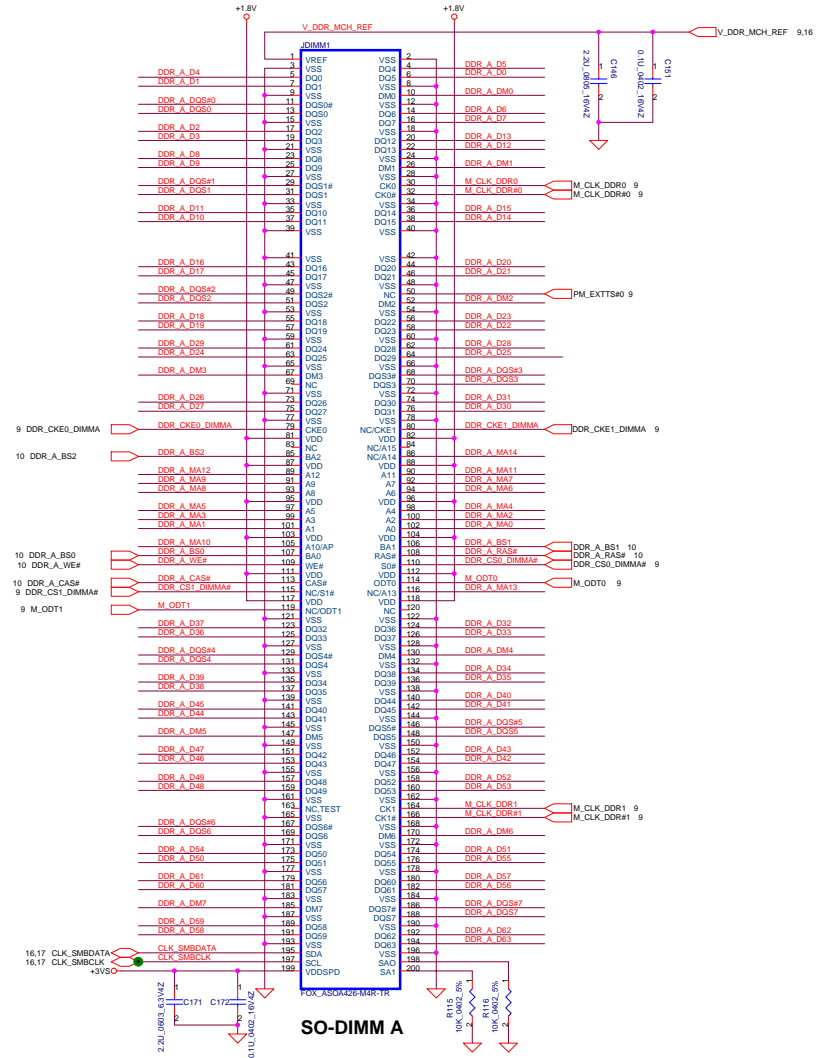
Layout Note:
Place near JP2



Layout Note:
Place one cap close to every 2 pullup resistors terminated to +0.9VS



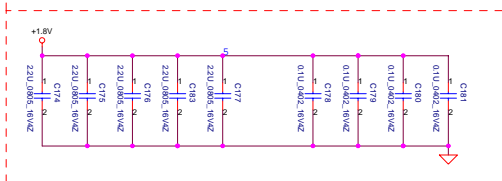
Layout Note:
Place these resistor closely JP3, all trace length Max=1.5"



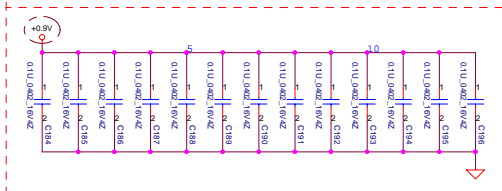
Security Classification				Compal Secret Data		Compal Electronics, Inc.	
Issued Date	2008/02/25	Deciphered Date	2008/02/25	Title			
THIS SHEET OF ENGINEERING DRAWING IS THE PROPRIETARY PROPERTY OF COMPAL ELECTRONICS, INC. AND CONTAINS CONFIDENTIAL AND TRADE SECRET INFORMATION. THIS SHEET MAY NOT BE TRANSFERRED FROM THE CUSTODY OF THE COMPETENT DIVISION OR R&D DEPARTMENT EXCEPT AS AUTHORIZED BY COMPAL ELECTRONICS, INC. NEITHER THIS SHEET NOR THE INFORMATION IT CONTAINS MAY BE USED BY OR DISCLOSED TO ANY THIRD PARTY WITHOUT PRIOR WRITTEN CONSENT OF COMPAL ELECTRONICS, INC.				Size	Document Number	LA-4102P Blade discrete	
Date	Monday, February 25, 2008	Sheet	16	of 53			

- 10 DDR_B_D0S[0..7]
- 10 DDR_B_D0[0..63]
- 10 DDR_B_DM[0..7]
- 10 DDR_B_DQS[0..7]
- 10 DDR_B_MA[0..14]

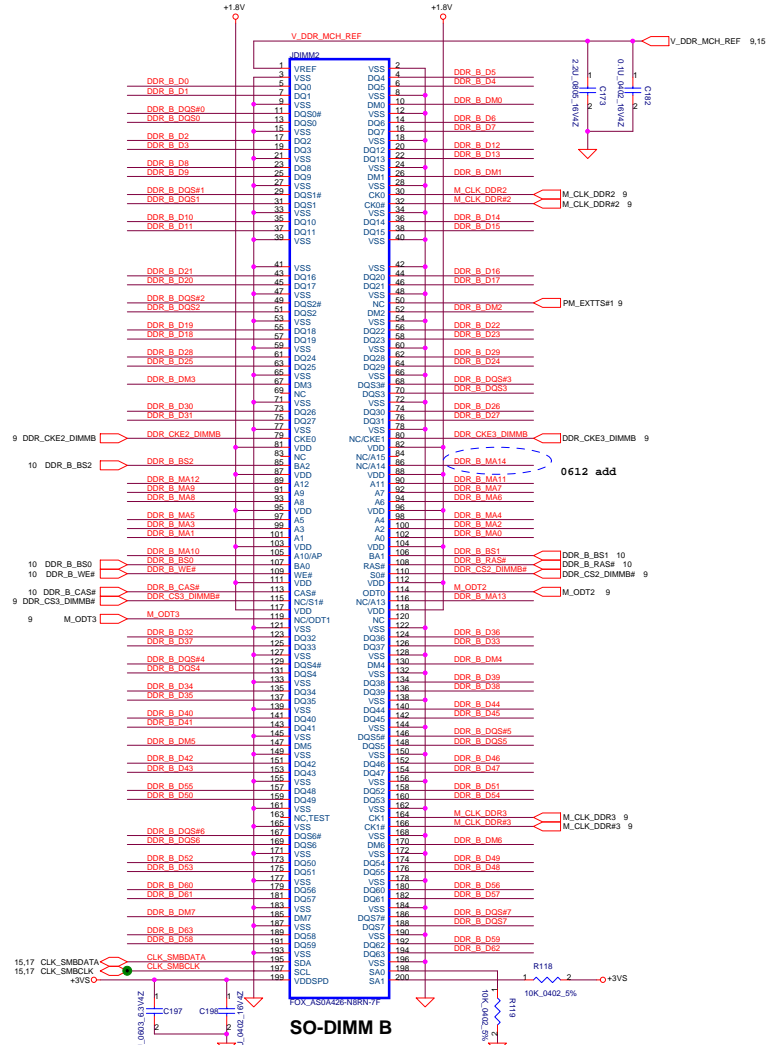
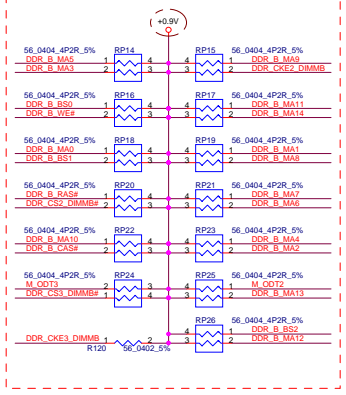
Layout Note:
Place near JP10



Layout Note:
Place one cap close to every 2 pullup resistors terminated to +0.9VS



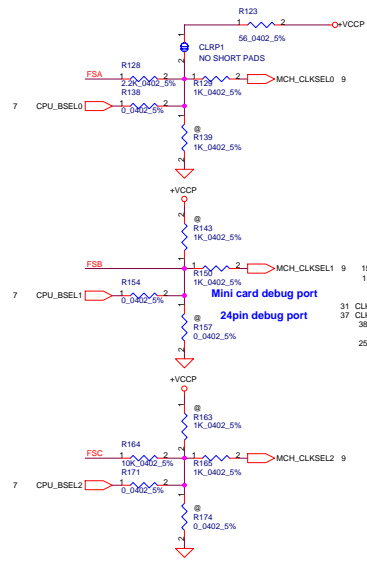
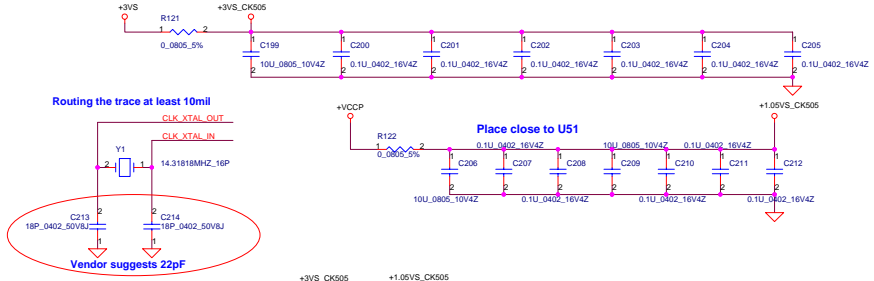
Layout Note:
Place these resistor closely JP3, all trace length Max=1.5"



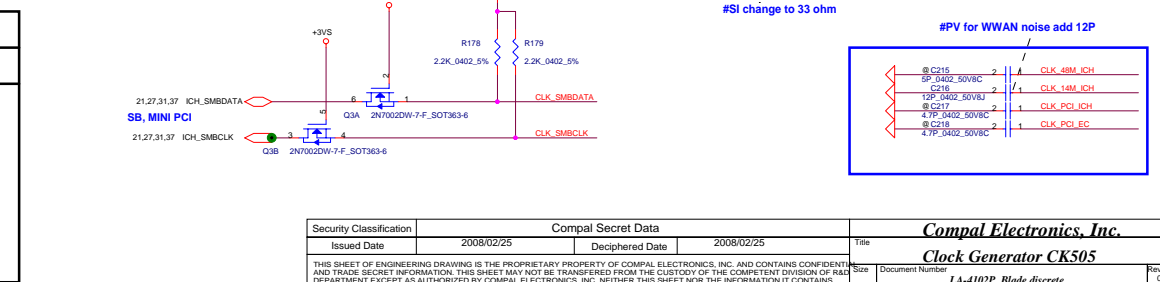
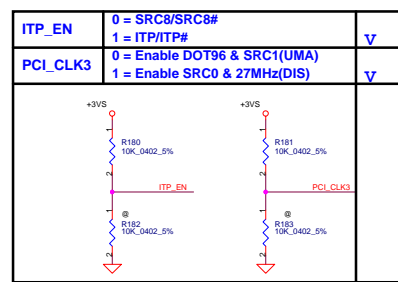
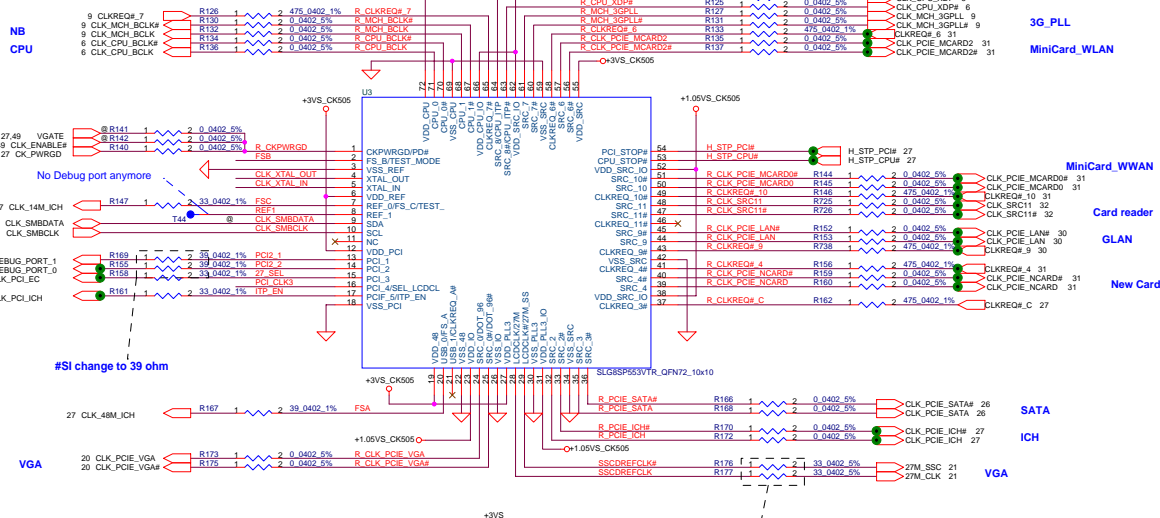
Security Classification		Compal Secret Data		Compal Electronics, Inc.	
Issued Date	2008/02/25	Deciphered Date	2008/02/25	Title	
THIS SHEET OF ENGINEERING DRAWING IS THE PROPRIETARY PROPERTY OF COMPAL ELECTRONICS, INC. AND CONTAINS CONFIDENTIAL AND TRADE SECRET INFORMATION. THIS SHEET MAY NOT BE TRANSFERRED FROM THE CUSTODY OF THE COMPETENT DIVISION OR R&D DEPARTMENT EXCEPT AS AUTHORIZED BY COMPAL ELECTRONICS, INC. NEITHER THIS SHEET NOR THE INFORMATION IT CONTAINS MAY BE USED BY OR DISCLOSED TO ANY THIRD PARTY WITHOUT PRIOR WRITTEN CONSENT OF COMPAL ELECTRONICS, INC.				Size	Document Number
				LA-4102P Blade discrete	
				Date	Monday, February 25, 2008
				Sheet	16 of 53

FSC	FSB	FSA	CPU	SRC	PCI	REF	DOT_96	USB
CLKSEL2	CLKSEL	CLKSEL0	MHz	MHz	MHz	MHz	MHz	MHz
0	0	0	266	100	33.3	14.318	96.0	48.0
0	0	1	133	100	33.3	14.318	96.0	48.0
0	1	0	200	100	33.3	14.318	96.0	48.0
0	1	1	166	100	33.3	14.318	96.0	48.0
1	0	0	333	100	33.3	14.318	96.0	48.0
1	0	1	100	100	33.3	14.318	96.0	48.0
1	1	0	400	100	33.3	14.318	96.0	48.0
1	1	1						

Reserved



NB CPU

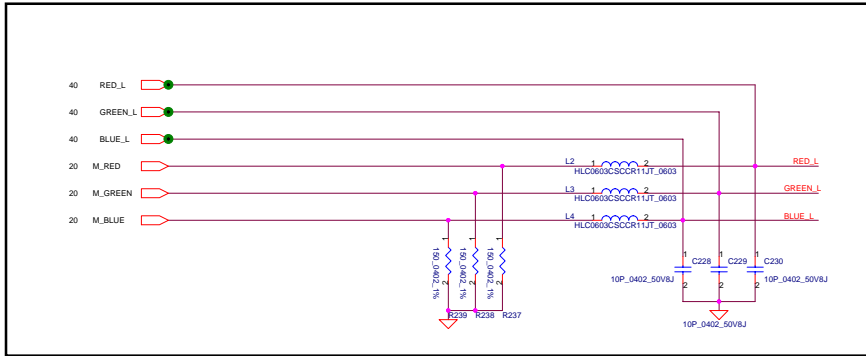
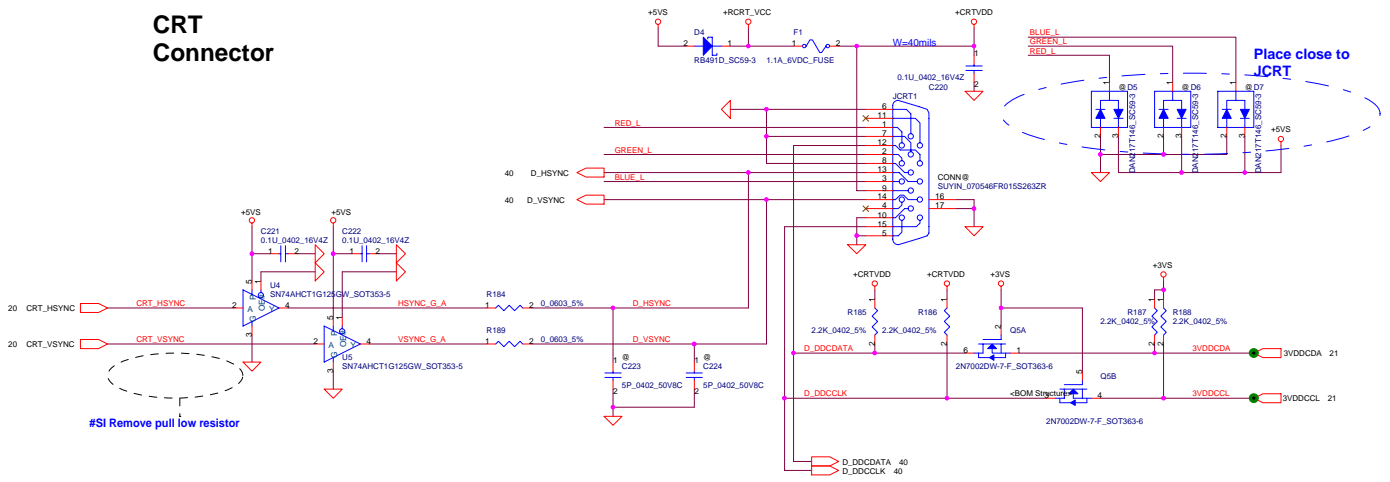


Security Classification				Compal Secret Data		Title	
Issued Date	2008/02/25	Deciphered Date	2008/02/25	Clock Generator CK505			
THIS SHEET OF ENGINEERING DRAWINGS IS THE PROPRIETARY PROPERTY OF COMPAL ELECTRONICS, INC. AND CONTAINS CONFIDENTIAL AND TRADE SECRET INFORMATION. THIS SHEET MAY NOT BE TRANSFERRED FROM THE CUSTODY OF THE COMPETENT DIVISION OR DEPARTMENT EXCEPT AS AUTHORIZED BY COMPAL ELECTRONICS, INC. NEITHER THIS SHEET NOR THE INFORMATION IT CONTAINS MAY BE USED BY OR DISCLOSED TO ANY THIRD PARTY WITHOUT PRIOR WRITTEN CONSENT OF COMPAL ELECTRONICS, INC.							
Date	Monday, February 25, 2008	Sheet	17	of 53			

Compal Electronics, Inc.

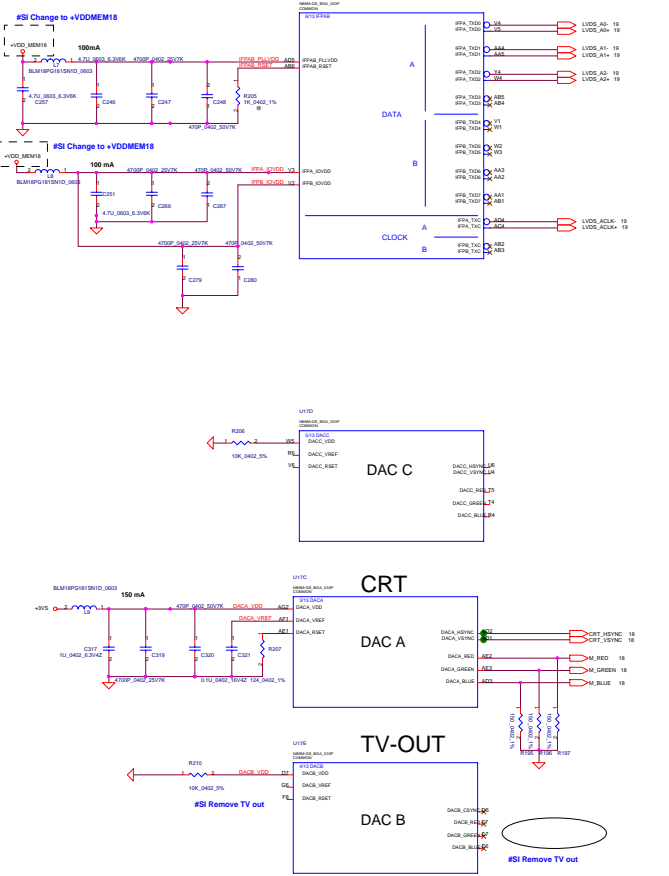
LA-4102P Blade discrete

CRT Connector

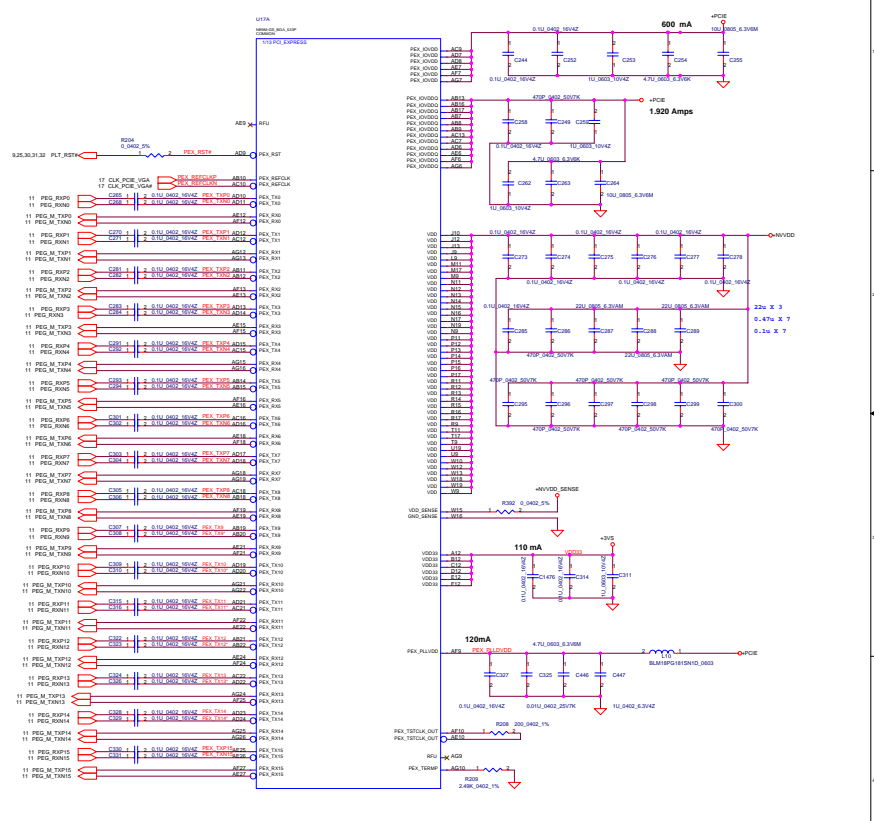


Security Classification	Compal Secret Data		Title	
Issued Date	2008/02/25	Deciphered Date	2008/02/25	Compal Electronics, Inc.
THIS SHEET OF ENGINEERING DRAWING IS THE PROPRIETARY PROPERTY OF COMPAL ELECTRONICS, INC. AND CONTAINS CONFIDENTIAL AND TRADE SECRET INFORMATION. THIS SHEET MAY NOT BE TRANSFERRED FROM THE CUSTODY OF THE COMPETENT DIVISION OF R&D DEPARTMENT EXCEPT AS AUTHORIZED BY COMPAL ELECTRONICS, INC. NEITHER THIS SHEET NOR THE INFORMATION IT CONTAINS MAY BE USED BY OR DISCLOSED TO ANY THIRD PARTY WITHOUT PRIOR WRITTEN CONSENT OF COMPAL ELECTRONICS, INC.				Rev
Document Number				0.4
LA-4102P Blade discrete				
Date	Monday, February 25, 2008	Sheet	18	of 53

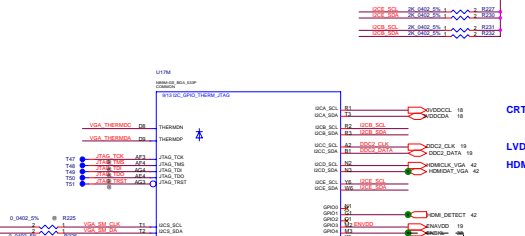
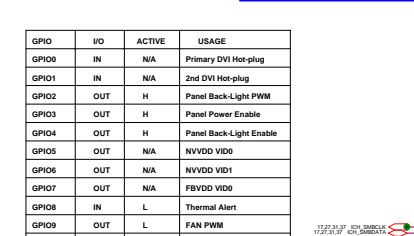
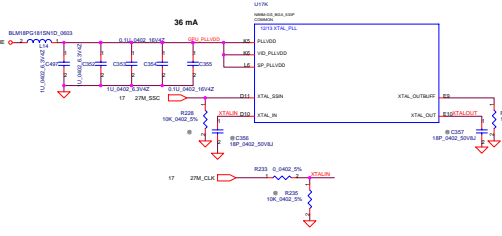
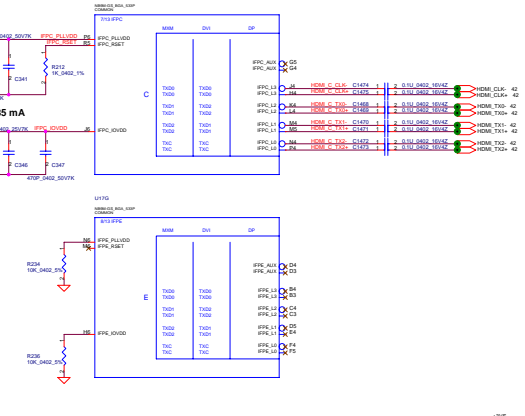
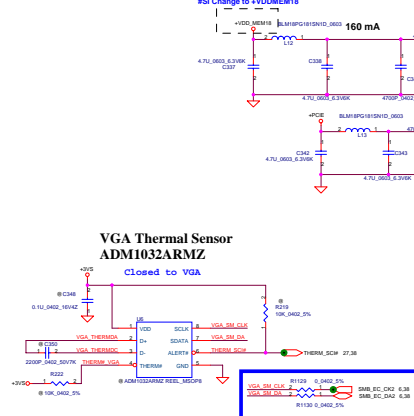
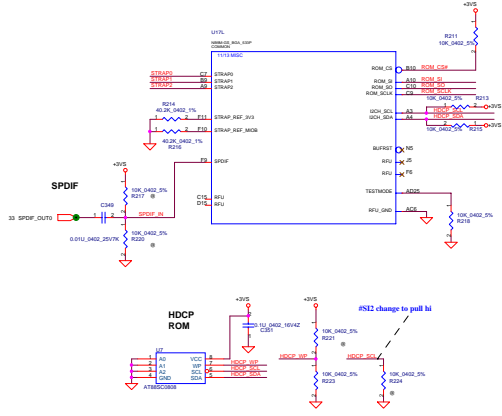
LVDS & DAC Interface



PEG Interface



Security Classification	Compal Secret Data		Compal Electronics, Inc.
Issued Date	2008/02/25	Discontinued Date	2008/02/25
<small>THIS IS A SET OF ENGINEERING DRAWINGS IS THE PROPRIETARY PROPERTY OF COMPAL ELECTRONICS, INC. AND CONTAINS CONFIDENTIAL AND TRADE SECRET INFORMATION. THIS DRAWING MAY NOT BE TRANSMITTED FROM THE CUSTODY OF THE COMPANY OR DIVISION OF COMPANY WITHOUT EXPRESS AUTHORIZATION BY COMPAL ELECTRONICS, INC. WITHOUT THE WRITTEN CONSENT OF COMPAL ELECTRONICS, INC.</small>			<small>Document Number: PEG & LVDS & DAC Rev: 1.1 Date: 2008/02/25</small>

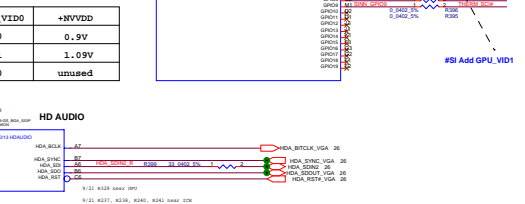
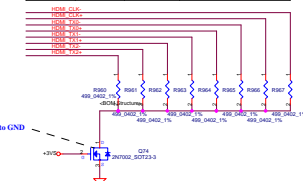
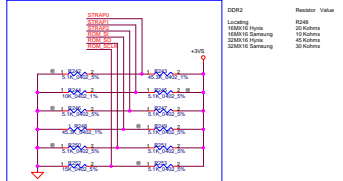


GPIO	I/O	ACTIVE	USAGE
GPIO0	IN	N/A	Primary DVI Hot-plug
GPIO1	IN	N/A	2nd DVI Hot-plug
GPIO2	OUT	H	Panel Back-Light PWM
GPIO3	OUT	H	Panel Power Enable
GPIO4	OUT	H	Panel Back-Light Enable
GPIO5	OUT	N/A	NVDD VID0
GPIO6	OUT	N/A	NVDD VID1
GPIO7	OUT	N/A	FBVDD VID0
GPIO8	IN	L	Thermal Alert
GPIO9	OUT	L	FAN PWM
GPIO10	OUT	N/A	FBVref Select
GPIO11	OUT	N/A	SLI SYNC0
GPIO12	IN	N/A	AC Detect
GPIO13	OUT	L	PS Control or HDMI_CEC
GPIO14	OUT	H	PS Control

GPU_VID1	GPU_VID0	+NVVDD
0	0	0.5V
0	1	1.09V
1	0	unused

Straps

MULTI LEVEL STRAPS



Security Classification	Compal Secret Data	Compal Electronics, Inc.
Issued Date	2008/02/25	Disciplined Date
<small>THIS SHEET OF ENGINEERING DRAWINGS IS THE PROPRIETARY PROPERTY OF COMPAL ELECTRONICS, INC. AND CONTAINS CONFIDENTIAL AND TRADE SECRET INFORMATION. THIS SHEET MAY NOT BE REPRODUCED OR TRANSMITTED IN ANY FORM OR BY ANY MEANS, ELECTRONIC OR MECHANICAL, WITHOUT THE WRITTEN PERMISSION OF COMPAL ELECTRONICS, INC. NEITHER THIS SHEET NOR THE INFORMATION IT CONTAINS MAY BE USED BY OR DISCLOSED TO ANY THIRD PARTY WITHOUT PRIOR WRITTEN CONSENT OF COMPAL ELECTRONICS, INC.</small>		
Straps & HDMI		Rev: 1.1-4102P Issue: 08/08/08

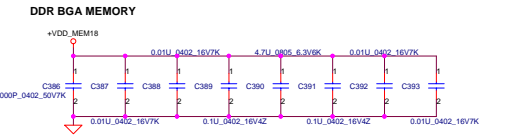
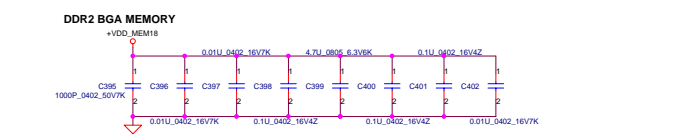
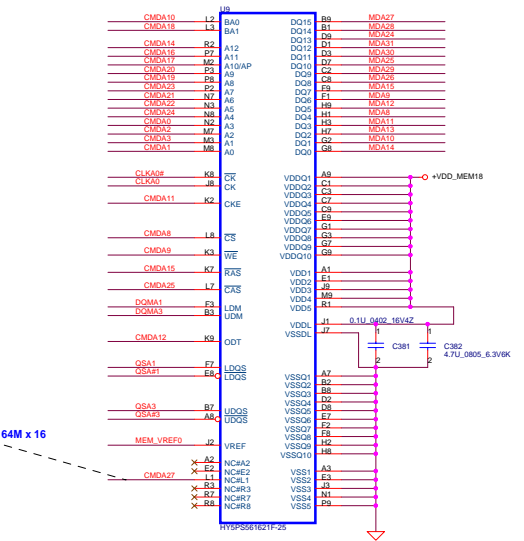
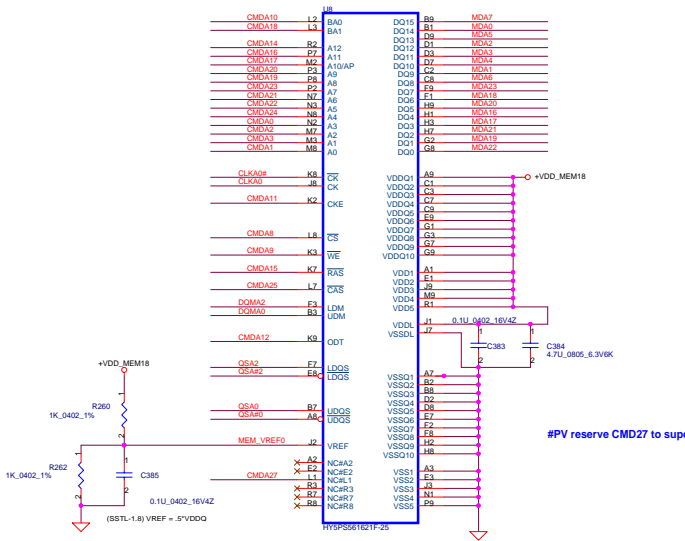
VRAM DDR2 chips (256MB & 512MB)

32Mx16 DDR2 400MHz *4==>256MB

64Mx16 DDR2 400MHz*4==>512MB

DATA Bus	
Address	0..31 32..63
CMD0	A3
CMD1	A0
CMD2	A2
CMD3	A1
CMD4	A3
CMD5	A4
CMD6	A5
CMD7	
CMD8	CS#
CMD9	WE#
CMD10	BA0
CMD11	CKE
CMD12	ODT
CMD13	
CMD14	A12
CMD15	RAS#
CMD16	A11
CMD17	A10
CMD18	BA1
CMD19	A8
CMD20	A9
CMD21	A6
CMD22	A5
CMD23	A7
CMD24	A4
CMD25	CAS#
CMD26	A13
CMD27	BA2
CMD28	
CMD29	
CMD30	

- 22.24 GSA[7..0] QSA17..0
- 22.24 GSA[7..0] QSA17..0
- 22.24 DQMA[7..0] DQMA17..0
- 22.24 MDA[63..0] MDA63..0
- 22.24 CMDA[30..0] CMDA30..0

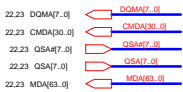


Security Classification	Compal Secret Data		Title	Compal Electronics, Inc.
Issued Date	2008/02/25	Deciphered Date		
THIS SHEET OF ENGINEERING DRAWING IS THE PROPRIETARY PROPERTY OF COMPAL ELECTRONICS, INC. AND CONTAINS CONFIDENTIAL AND TRADE SECRET INFORMATION. THIS SHEET MAY NOT BE TRANSFERRED FROM THE CUSTODY OF THE COMPETENT DIVISION OF R&D DEPARTMENT EXCEPT AS AUTHORIZED BY COMPAL ELECTRONICS, INC. NEITHER THIS SHEET NOR THE INFORMATION IT CONTAINS MAY BE USED BY OR DISCLOSED TO ANY THIRD PARTY WITHOUT PRIOR WRITTEN CONSENT OF COMPAL ELECTRONICS, INC.			Document Number	LS-2821 ATI_M56-P VGA Board
			Date	Monday, February 25, 2008
			Sheet	7 of 16

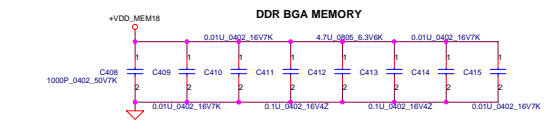
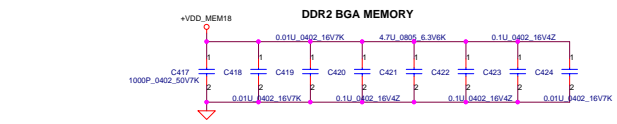
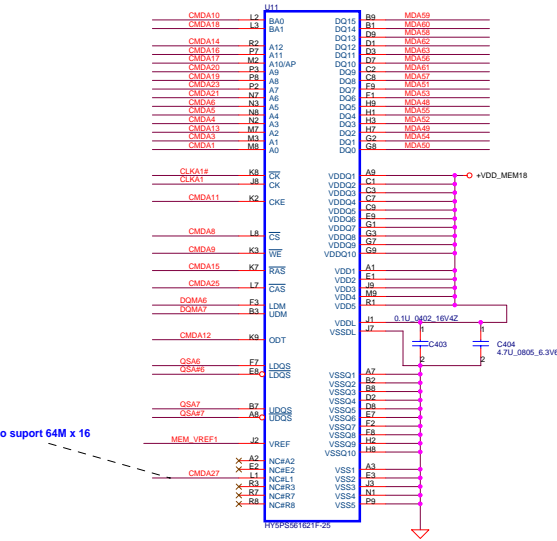
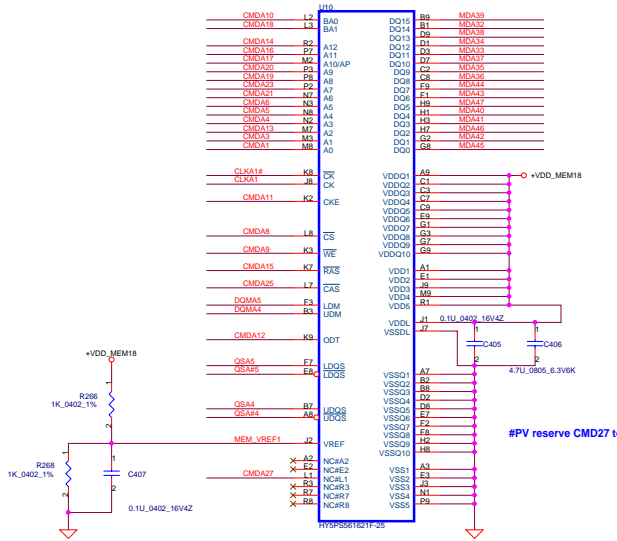
VRAM DDR2 chips (256MB & 512MB)

32Mx16 DDR2 400MHz *4==>256MB

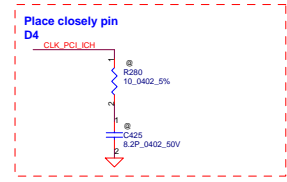
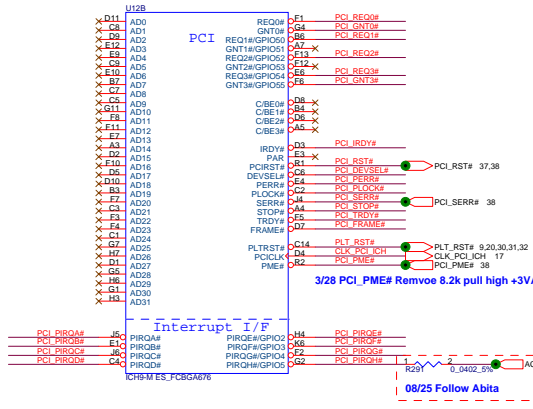
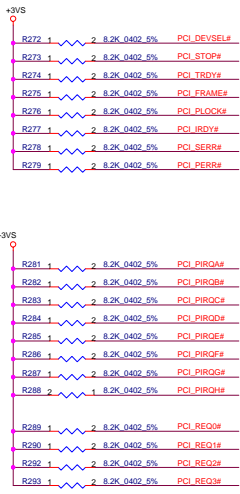
64Mx16 DDR2 400MHz*4==>512MB



Address	DATA	Bus
CMD0	A3	A0
CMD1	A0	A0
CMD2	A2	A1
CMD3	A1	A1
CMD4	A3	A3
CMD5	A4	A4
CMD6	A5	A5
CMD7		
CMD8	CS#	CS#
CMD9	WE#	WE#
CMD10	BA0	BA0
CMD11	CKE	CKE
CMD12	ODT	ODT
CMD13		
CMD14	A12	A12
CMD15	RAS#	RAS#
CMD16	A11	A11
CMD17	A10	A10
CMD18	BA1	BA1
CMD19	A8	A8
CMD20	A9	A9
CMD21	A6	A6
CMD22	A5	A5
CMD23	A7	A7
CMD24	A4	A4
CMD25	CAS#	CAS#
CMD26	A13	A13
CMD27	BA2	BA2
CMD28		
CMD29		
CMD30		



Security Classification	Compal Secret Data		Title	Size	Document Number	Date	Rev
Issued Date	2008/02/25	Deciphered Date					
THIS SHEET OF ENGINEERING DRAWING IS THE PROPRIETARY PROPERTY OF COMPAL ELECTRONICS, INC. AND CONTAINS CONFIDENTIAL AND TRADE SECRET INFORMATION. THIS SHEET MAY NOT BE TRANSFERRED FROM THE CUSTODY OF THE COMPETENT DIVISION OF R&D DEPARTMENT EXCEPT AS AUTHORIZED BY COMPAL ELECTRONICS, INC. NEITHER THIS SHEET NOR THE INFORMATION IT CONTAINS MAY BE USED BY OR DISCLOSED TO ANY THIRD PARTY WITHOUT PRIOR WRITTEN CONSENT OF COMPAL ELECTRONICS, INC.				Compal Electronics, Inc. LS-2821 ATI_M56-P VGA Board		CHANNEL A EXT. 256M_2 Monday, February 25, 2008 Sheet 8 of 16	



3/28 PCI_PME# Remove 8.2k pull high +3VALW resistance.

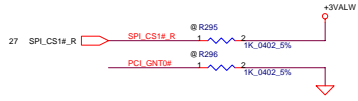
08/25 Follow Abita

A16 swap override Strap
 PCI_GNT3# Low= A16 swap override Enable
 High= Default *



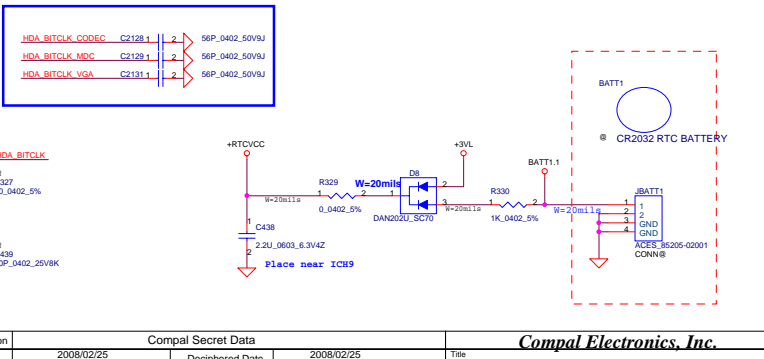
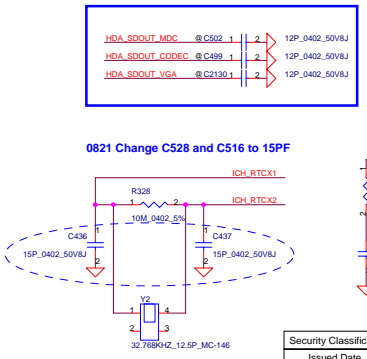
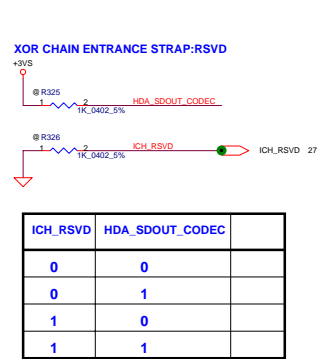
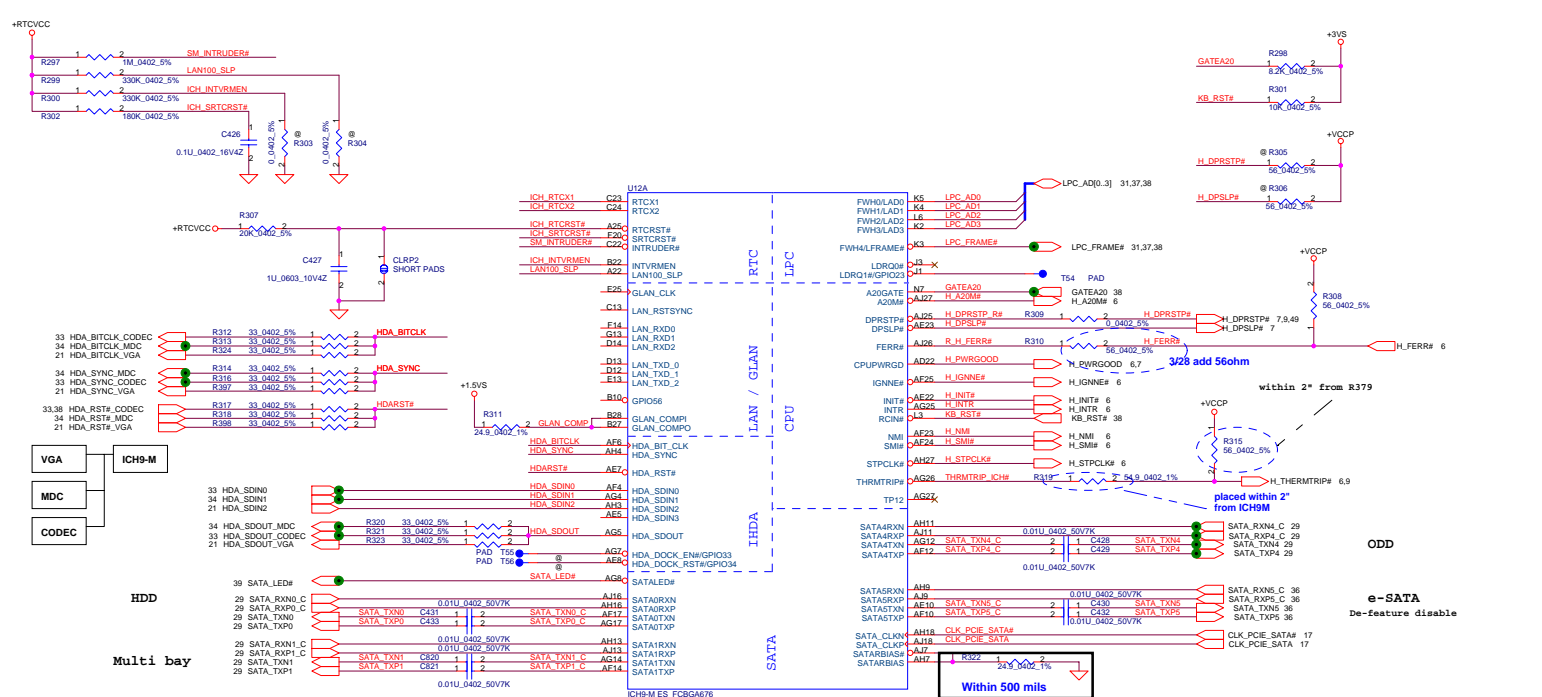
Boot BIOS Strap

PCI_GNT0#	SPI_CS#1	Boot BIOS Location
0	1	SPI
1	0	PCI
1	1	LPC *

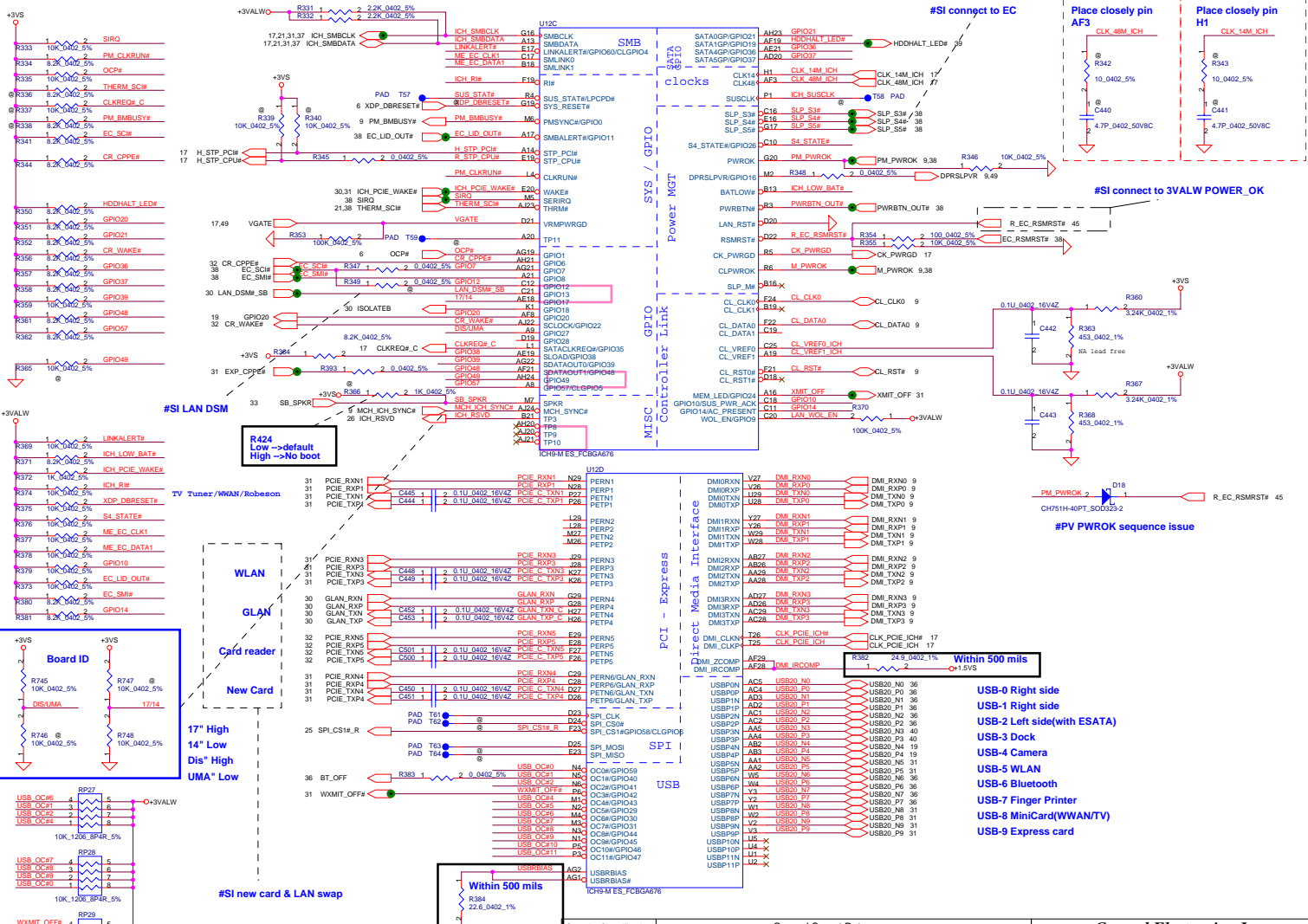


Security Classification		Compal Secret Data		Title	
Issued Date	2008/02/25	Deciphered Date	2008/02/25	Compal Electronics, Inc.	
THIS SHEET OF ENGINEERING DRAWING IS THE PROPRIETARY PROPERTY OF COMPAL ELECTRONICS, INC. AND CONTAINS CONFIDENTIAL AND TRADE SECRET INFORMATION. THIS SHEET MAY NOT BE TRANSFERRED FROM THE CUSTODY OF THE COMPETENT DIVISION OF R&D DEPARTMENT EXCEPT AS AUTHORIZED BY COMPAL ELECTRONICS, INC. NEITHER THIS SHEET NOR THE INFORMATION IT CONTAINS MAY BE USED BY OR DISCLOSED TO ANY THIRD PARTY WITHOUT PRIOR WRITTEN CONSENT OF COMPAL ELECTRONICS, INC.				Size	Document Number
				LA-4102P Blade discrete	
				Rev	0.4
				Date	Monday, February 25, 2008
				Sheet	26 of 53

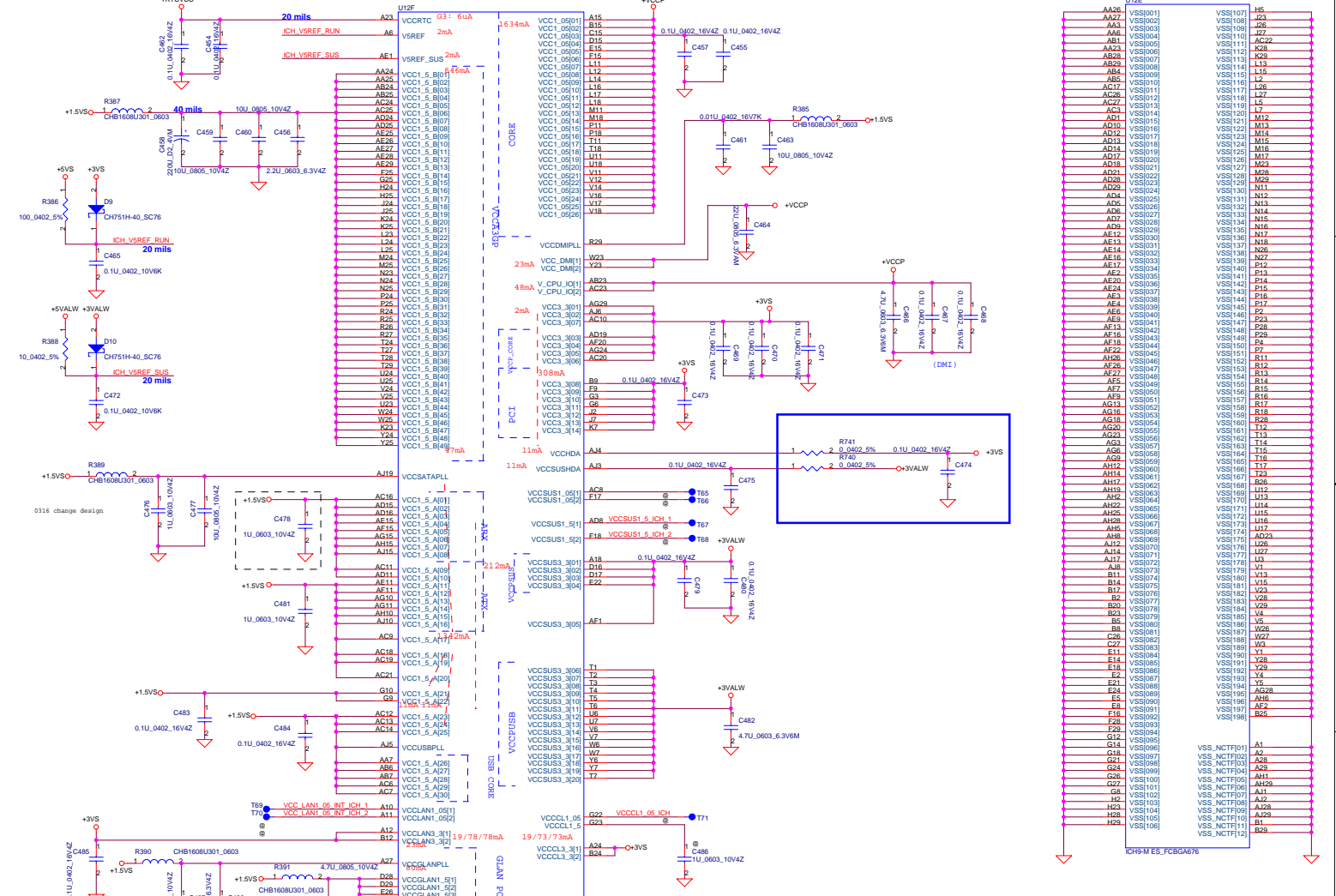
THIS SHEET OF ENGINEERING DRAWING IS THE PROPRIETARY PROPERTY OF COMPAL ELECTRONICS, INC. AND CONTAINS CONFIDENTIAL AND TRADE SECRET INFORMATION. THIS SHEET MAY NOT BE TRANSFERRED FROM THE CUSTODY OF THE COMPETENT DIVISION OF R&D DEPARTMENT EXCEPT AS AUTHORIZED BY COMPAL ELECTRONICS, INC. NEITHER THIS SHEET NOR THE INFORMATION IT CONTAINS MAY BE USED BY OR DISCLOSED TO ANY THIRD PARTY WITHOUT PRIOR WRITTEN CONSENT OF COMPAL ELECTRONICS, INC.



Security Classification		Compal Secret Data		Compal Electronics, Inc.	
Issued Date	2008/02/25	Deciphered Date	2008/02/25	Title	ICH9(2/4) LAN,HD,IDE,LPC
THIS SHEET OF ENGINEERING DRAWING IS THE PROPRIETARY PROPERTY OF COMPAL ELECTRONICS, INC. AND CONTAINS CONFIDENTIAL AND TRADE SECRET INFORMATION. THIS SHEET MAY NOT BE TRANSFERRED FROM THE CUSTODY OF THE COMPETENT DIVISION OR DEPARTMENT EXCEPT AS AUTHORIZED BY COMPAL ELECTRONICS, INC. NEITHER THIS SHEET NOR THE INFORMATION IT CONTAINS MAY BE USED BY OR DISCLOSED TO ANY THIRD PARTY WITHOUT PRIOR WRITTEN CONSENT OF COMPAL ELECTRONICS, INC.					
Size	Document Number	Customer	LA-4102P Blade discrete	Rev	0.4
Date	Monday, February 25, 2008	Sheet	26	of	53

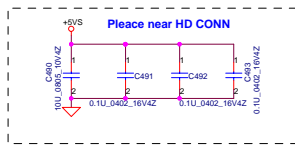


Security Classification	Compal Secret Data		Title	
Issued Date	2008/02/25	Deciphered Date	2009/02/25	IC19(3/4) DMI,USB,GPIO,PCIE
<small>THIS SHEET OF ENGINEERING DRAWING IS THE PROPRIETARY PROPERTY OF COMPAL ELECTRONICS, INC. AND CONTAINS CONFIDENTIAL AND TRADE SECRET INFORMATION. THIS SHEET MAY NOT BE TRANSFERRED FROM THE CUSTODY OF THE COMPETENT DIVISION OF R&D DEPARTMENT EXCEPT AS AUTHORIZED BY COMPAL ELECTRONICS, INC. NEITHER THIS SHEET NOR THE INFORMATION IT CONTAINS MAY BE USED BY OR DISCLOSED TO ANY THIRD PARTY WITHOUT PRIOR WRITTEN CONSENT OF COMPAL ELECTRONICS, INC.</small>				
Size	Document Number	Rev	0.4	
Custom	LA-4102P Blade discrete	Date	Monday, February 25, 2008	Sheet 27 of 53

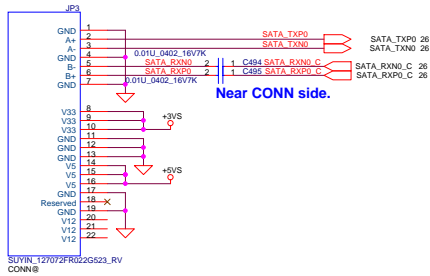


Security Classification		Compal Secret Data		Title	
Issued Date	2008/02/25	Deciphered Date	2008/02/25	Compal Electronics, Inc.	
				LA-4102P Blade discrete	
				Size	Rev. 0.4
				Date	Monday, February 25, 2008
				Sheet	28 of 53

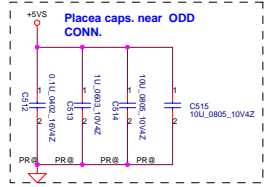
THIS SHEET OF ENGINEERING DRAWING IS THE PROPRIETARY PROPERTY OF COMPAL ELECTRONICS, INC. AND CONTAINS CONFIDENTIAL AND TRADE SECRET INFORMATION. THIS SHEET MAY NOT BE TRANSFERRED FROM THE CUSTODY OF THE COMPETENT DIVISION OF R&D DEPARTMENT EXCEPT AS AUTHORIZED BY COMPAL ELECTRONICS, INC. NEITHER THIS SHEET NOR THE INFORMATION IT CONTAINS MAY BE USED BY OR DISCLOSED TO ANY THIRD PARTY WITHOUT PRIOR WRITTEN CONSENT OF COMPAL ELECTRONICS, INC.



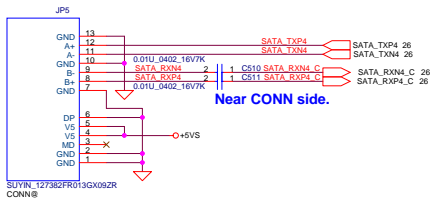
HDD Connector



SUYIN_127072FR02R2GS23_RV
CONN#

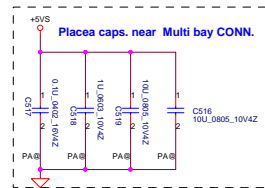
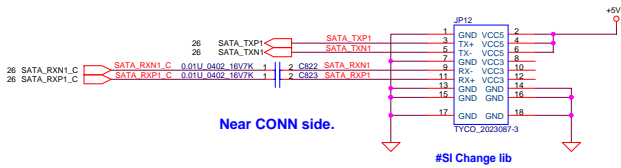


CD-ROM Connector



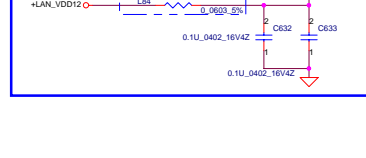
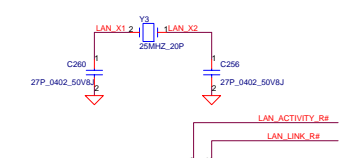
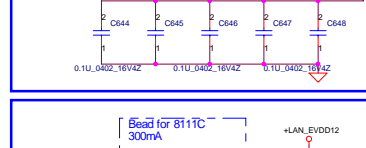
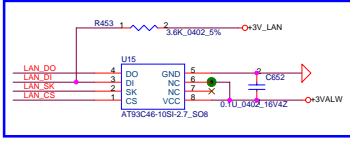
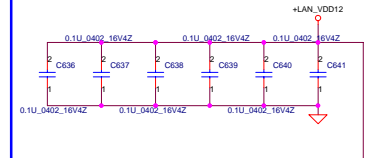
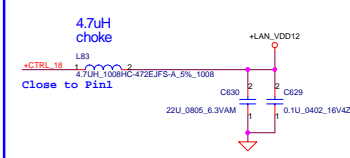
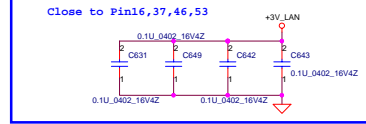
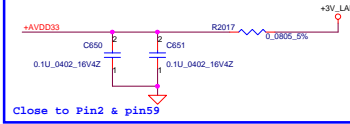
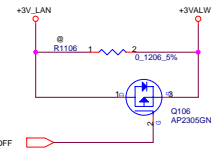
SUYIN_127382FR01SGX092R
CONN#

Multi Bay Connector

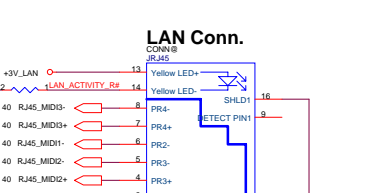
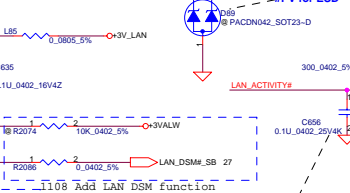
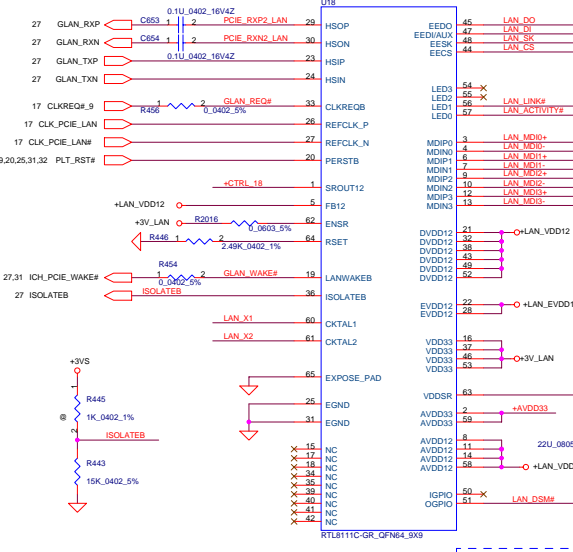


Security Classification		Compal Secret Data		Compal Electronics, Inc.	
Issued Date	2008/02/25	Deciphered Date	2008/02/25	Title	HDD & CDROM
THIS SHEET OF ENGINEERING DRAWINGS IS THE PROPRIETARY PROPERTY OF COMPAL ELECTRONICS, INC. AND CONTAINS CONFIDENTIAL AND TRADE SECRET INFORMATION. THIS SHEET MAY NOT BE TRANSFERRED FROM THE CUSTODY OF THE COMPETENT DIVISION OF R&D DEPARTMENT EXCEPT AS AUTHORIZED BY COMPAL ELECTRONICS, INC. NEITHER THIS SHEET NOR THE INFORMATION IT CONTAINS MAY BE USED BY OR DISCLOSED TO ANY THIRD PARTY WITHOUT PRIOR WRITTEN CONSENT OF COMPAL ELECTRONICS, INC.					
Size	Document Number	Revision	Rev	Date	Monday, February 25, 2008
Sheet	28	of	53	Sheet	28 of 53

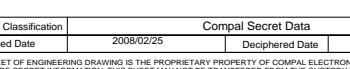
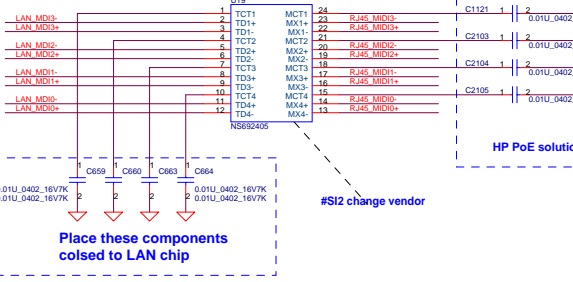
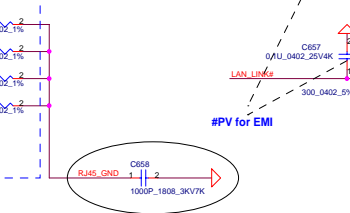
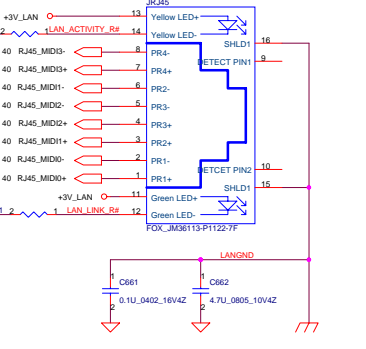
1025 add to meet HP request



Place Close to Chip



LAN Conn.



Place these components close to LAN chip

#SI2 change vendor

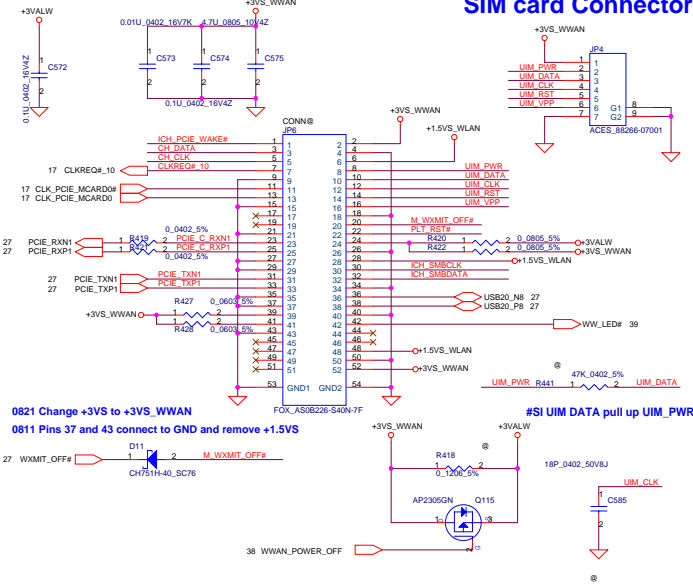
HP PoE solution

#PV for EMI

Security Classification		Compal Secret Data		Title	
Issued Date	2008/02/25	Deciphered Date	2008/02/25	LAN-8111C	
THIS SHEET OF ENGINEERING DRAWING IS THE PROPRIETARY PROPERTY OF COMPAL ELECTRONICS, INC. AND CONTAINS CONFIDENTIAL AND TRADE SECRET INFORMATION. THIS SHEET MAY NOT BE TRANSFERRED FROM THE CUSTODY OF THE COMPETENT DIVISION OR DEPARTMENT EXCEPT AS AUTHORIZED BY COMPAL ELECTRONICS, INC. NEITHER THIS SHEET NOR THE INFORMATION IT CONTAINS MAY BE USED BY OR DISCLOSED TO ANY THIRD PARTY WITHOUT PRIOR WRITTEN CONSENT OF COMPAL ELECTRONICS, INC.				Size	Document Number
				LA-4102P Blade discrete	Rev. 0.4
				Date	Monday, February 25, 2008
				Sheet	30 of 53

Mini Card 0--TV tuner/WWAN/Robson

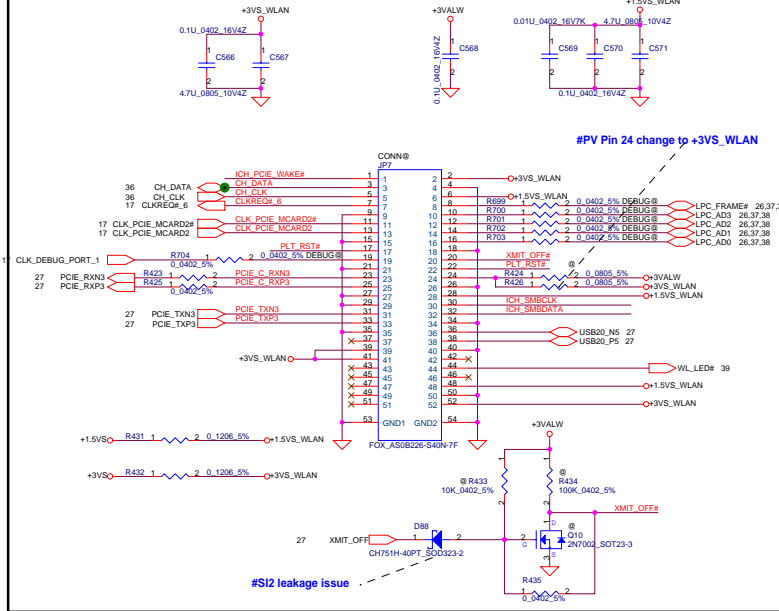
SIM card Connector



0821 Change +3VS to +3VS_WWAN
0811 Pins 37 and 43 connect to GND and remove +1.5VS

#SI UIM DATA pull up UIM_PWR

Mini Card 2--WLAN

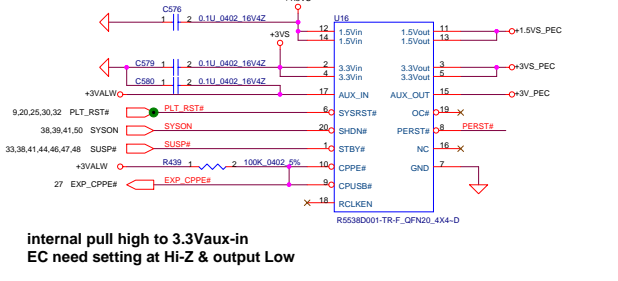


#PV Pin 24 change tp +3VS_WLAN

#SI2 leakage issue

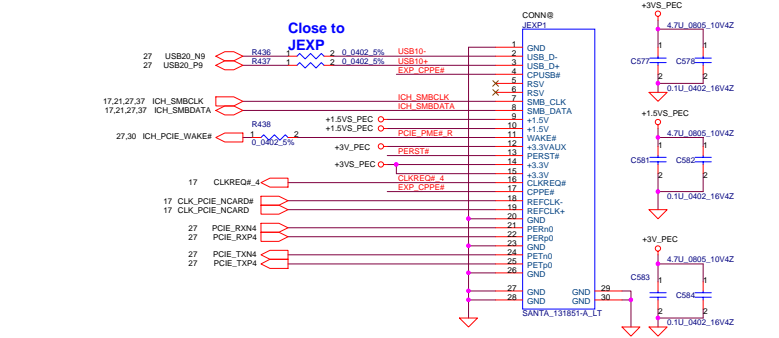
New Card

Express Card Power Switch



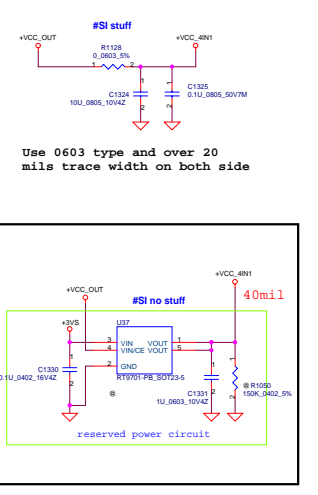
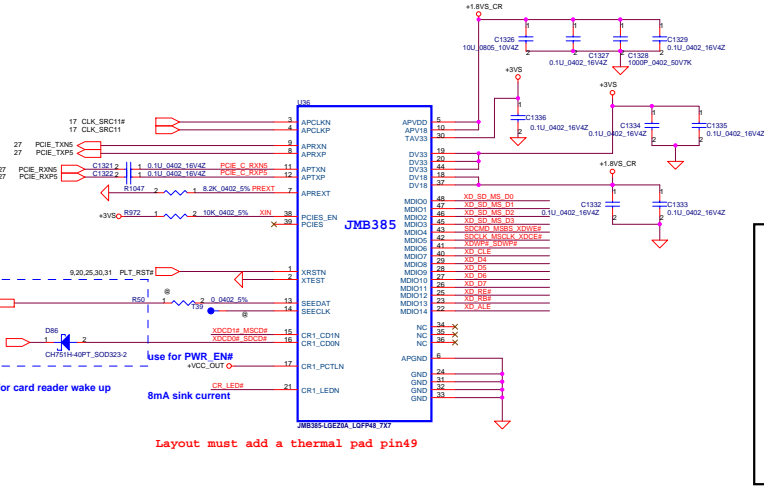
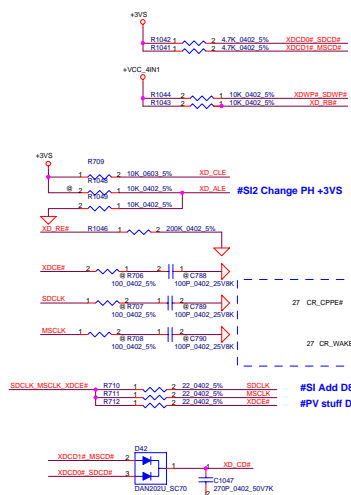
internal pull high to 3.3Vaux-in
EC need setting at Hi-Z & output Low

Near to Express Card slot.

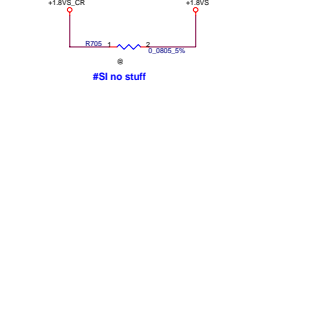
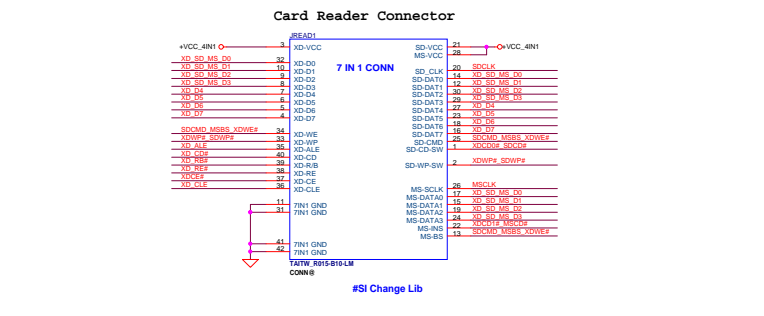
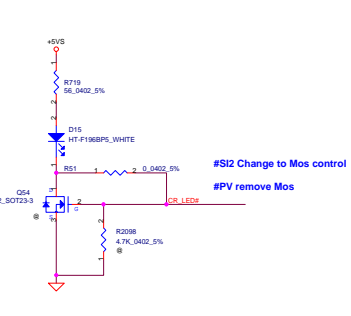
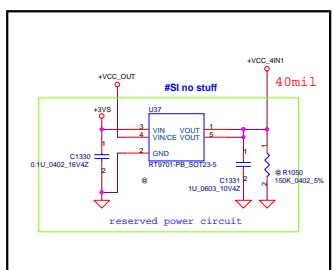


Close to JEXP

Security Classification	Compal Secret Data		Title	WLAN, WWAN, New Card	
Issued Date	2008/02/25	Deciphered Date	2008/02/25	Size	Document Number
THIS SHEET OF ENGINEERING DRAWINGS IS THE PROPRIETARY PROPERTY OF COMPAL ELECTRONICS, INC. AND CONTAINS CONFIDENTIAL AND TRADE SECRET INFORMATION. THIS SHEET MAY NOT BE TRANSFERRED FROM THE CUSTODY OF THE COMPETENT DIVISION OR DEPARTMENT EXCEPT AS AUTHORIZED BY COMPAL ELECTRONICS, INC. NEITHER THIS SHEET NOR THE INFORMATION IT CONTAINS MAY BE USED BY OR DISCLOSED TO ANY THIRD PARTY WITHOUT PRIOR WRITTEN CONSENT OF COMPAL ELECTRONICS, INC.				Date	Monday, February 25, 2008
				Sheet	31 of 53



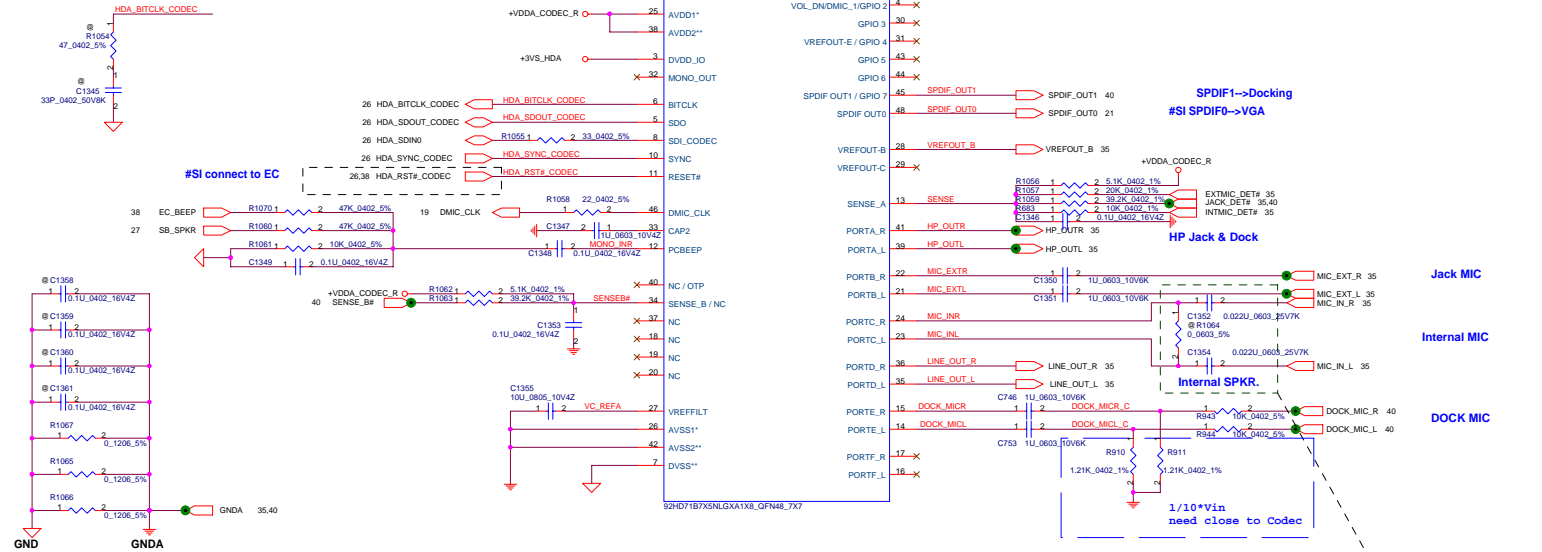
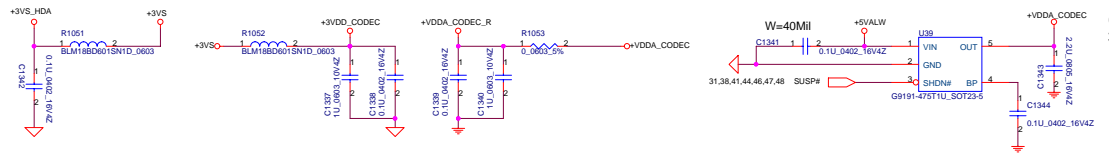
Use 0603 type and over 20 mils trace width on both side



Security Classification	Compal Secret Data		Cmpal Electronics, Inc.	
Issued Date	2008/02/25	Deciphered Date	2008/02/25	Title
THIS SHEET OF ENGINEERING DRAWING IS THE PROPRIETARY PROPERTY OF COMPAL ELECTRONICS, INC. AND CONTAINS CONFIDENTIAL AND TRADE SECRET INFORMATION. THIS SHEET MAY NOT BE TRANSFERRED FROM THE CUSTODY OF THE COMPETENT DIVISION OF R&D DEPARTMENT EXCEPT AS AUTHORIZED BY COMPAL ELECTRONICS, INC. NEITHER THIS SHEET NOR THE INFORMATION IT CONTAINS MAY BE USED BY OR DISCLOSED TO ANY THIRD PARTY WITHOUT PRIOR WRITTEN CONSENT OF COMPAL ELECTRONICS, INC.				Doc#
				LA-1102P Blade discrete
				Rev 04
				Monday February 25, 2008

CODEC POWER

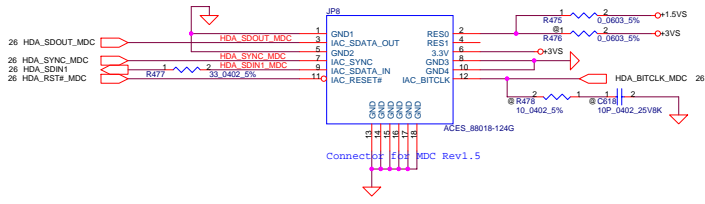
(4.75V)
300mA



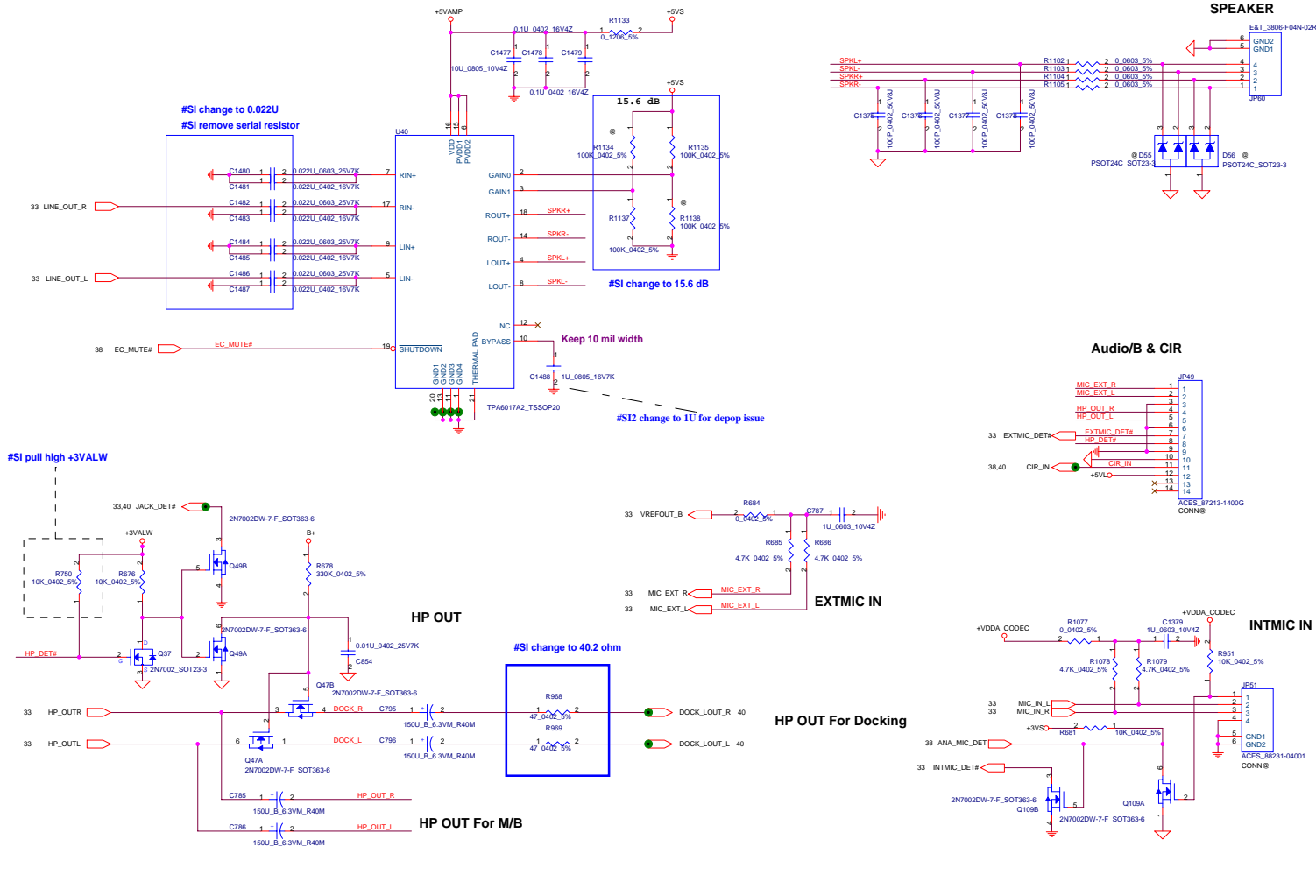
SENSE A		SENSE B	
Port	Resistor	Port	Resistor
A	39.2K	E	39.2K
B	20K	F	20K
C	10K	G	10K
D	5.11K	H	5.11K

Security Classification		Compal Secret Data		Title	
Issued Date	2008/02/25	Deciphered Date	2008/02/25	Size	Codec_IDT9271B7
THIS SHEET OF ENGINEERING DRAWING IS THE PROPRIETARY PROPERTY OF COMPAL ELECTRONICS, INC. AND CONTAINS CONFIDENTIAL AND TRADE SECRET INFORMATION. THIS SHEET MAY NOT BE TRANSFERRED FROM THE CUSTODY OF THE COMPETENT DIVISION OF R&D DEPARTMENT EXCEPT AS AUTHORIZED BY COMPAL ELECTRONICS, INC. NEITHER THIS SHEET NOR THE INFORMATION IT CONTAINS MAY BE USED BY OR DISCLOSED TO ANY THIRD PARTY WITHOUT PRIOR WRITTEN CONSENT OF COMPAL ELECTRONICS, INC.				Customer	LA-4102P Blade discrete
Date	Monday, February 25, 2008	Sheet	33	of	53

MDC 1.5 Conn.

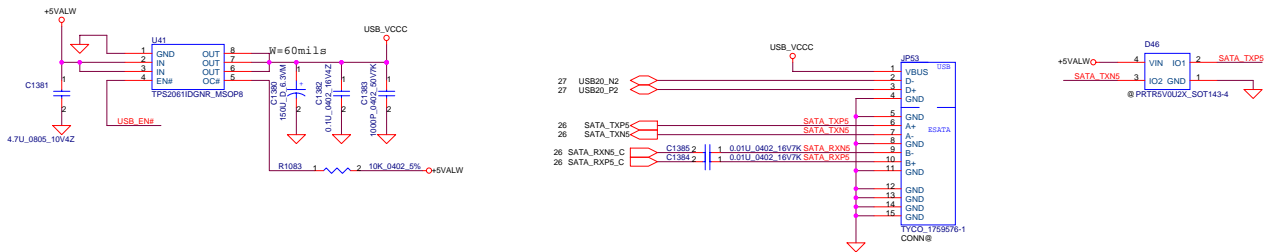


Security Classification	Compal Secret Data		Title	Compal Electronics, Inc.	
Issued Date	2008/02/25	Deciphered Date	2008/02/25	MDC 1.5 & Robson	
THIS SHEET OF ENGINEERING DRAWING IS THE PROPRIETARY PROPERTY OF COMPAL ELECTRONICS, INC. AND CONTAINS CONFIDENTIAL AND TRADE SECRET INFORMATION. THIS SHEET MAY NOT BE TRANSFERRED FROM THE CUSTODY OF THE COMPETENT DIVISION OF R&D DEPARTMENT EXCEPT AS AUTHORIZED BY COMPAL ELECTRONICS, INC. NEITHER THIS SHEET NOR THE INFORMATION IT CONTAINS MAY BE USED BY OR DISCLOSED TO ANY THIRD PARTY WITHOUT PRIOR WRITTEN CONSENT OF COMPAL ELECTRONICS, INC.			Size	Document Number	Rev
				LA-4102P Blade discrete	0.4
			Date	Monday, February 25, 2008	Sheet 31 of 53

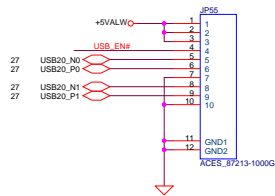


Security Classification		Compal Secret Data		Title	
Issued Date	2008/02/25	Deciphered Date	2008/02/25	Size	Document Number
THIS SHEET OF ENGINEERING DRAWING IS THE PROPRIETARY PROPERTY OF COMPAL ELECTRONICS, INC. AND CONTAINS CONFIDENTIAL AND TRADE SECRET INFORMATION. THIS SHEET MAY NOT BE TRANSFERRED FROM THE CUSTODY OF THE COMPETENT DIVISION OR DEPARTMENT EXCEPT AS AUTHORIZED BY COMPAL ELECTRONICS, INC. NEITHER THIS SHEET NOR THE INFORMATION IT CONTAINS MAY BE USED BY OR DISCLOSED TO ANY THIRD PARTY WITHOUT PRIOR WRITTEN CONSENT OF COMPAL ELECTRONICS, INC.				Custom	LA-4102P Blade discrete
Date	Monday, February 25, 2008	Sheet	35	of	53

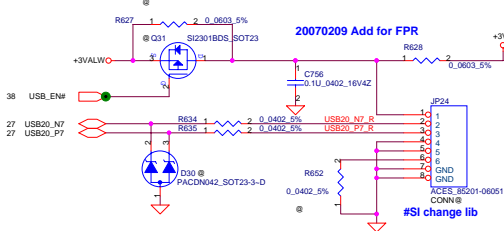
Left side ESATA/USB combination Connector



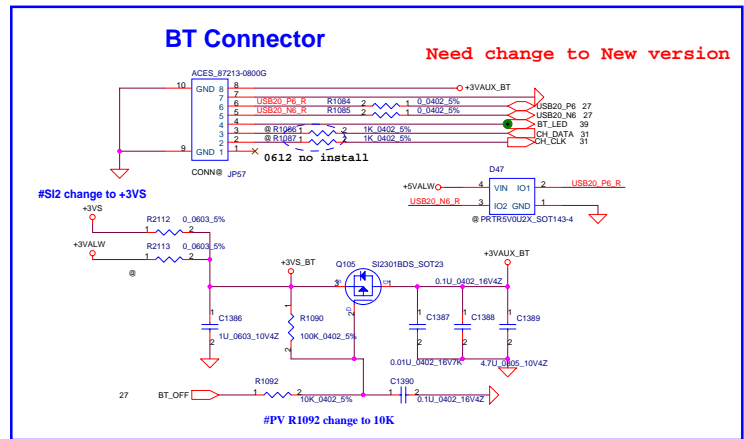
USB cable connector for Right side



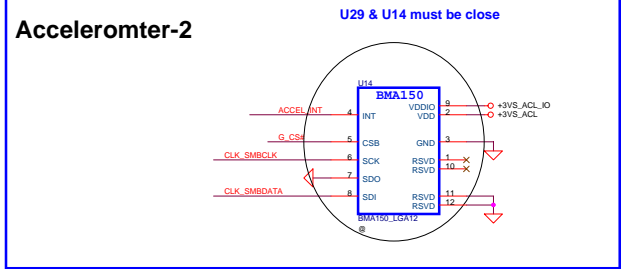
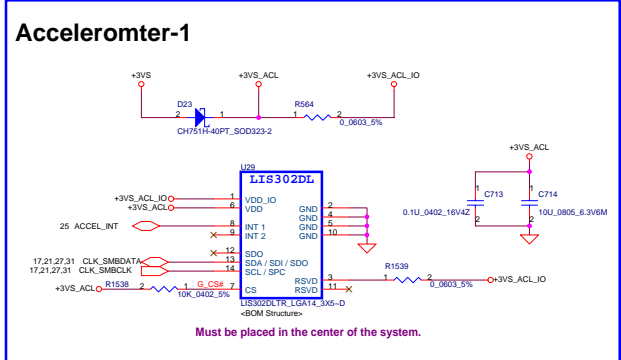
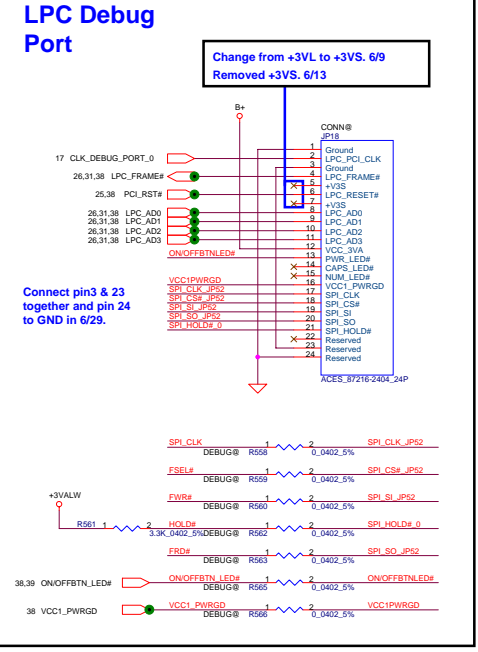
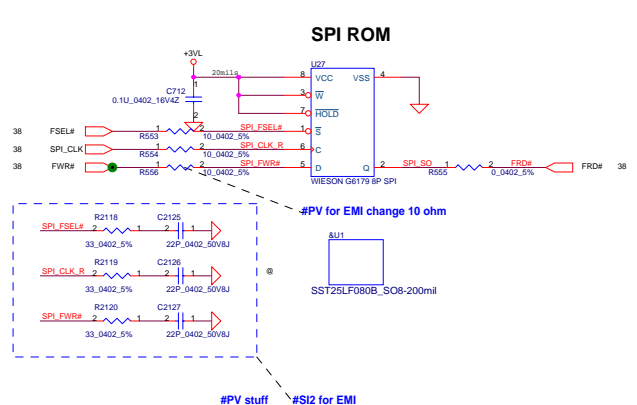
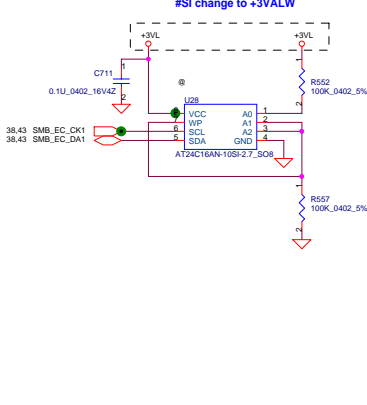
Finger printer



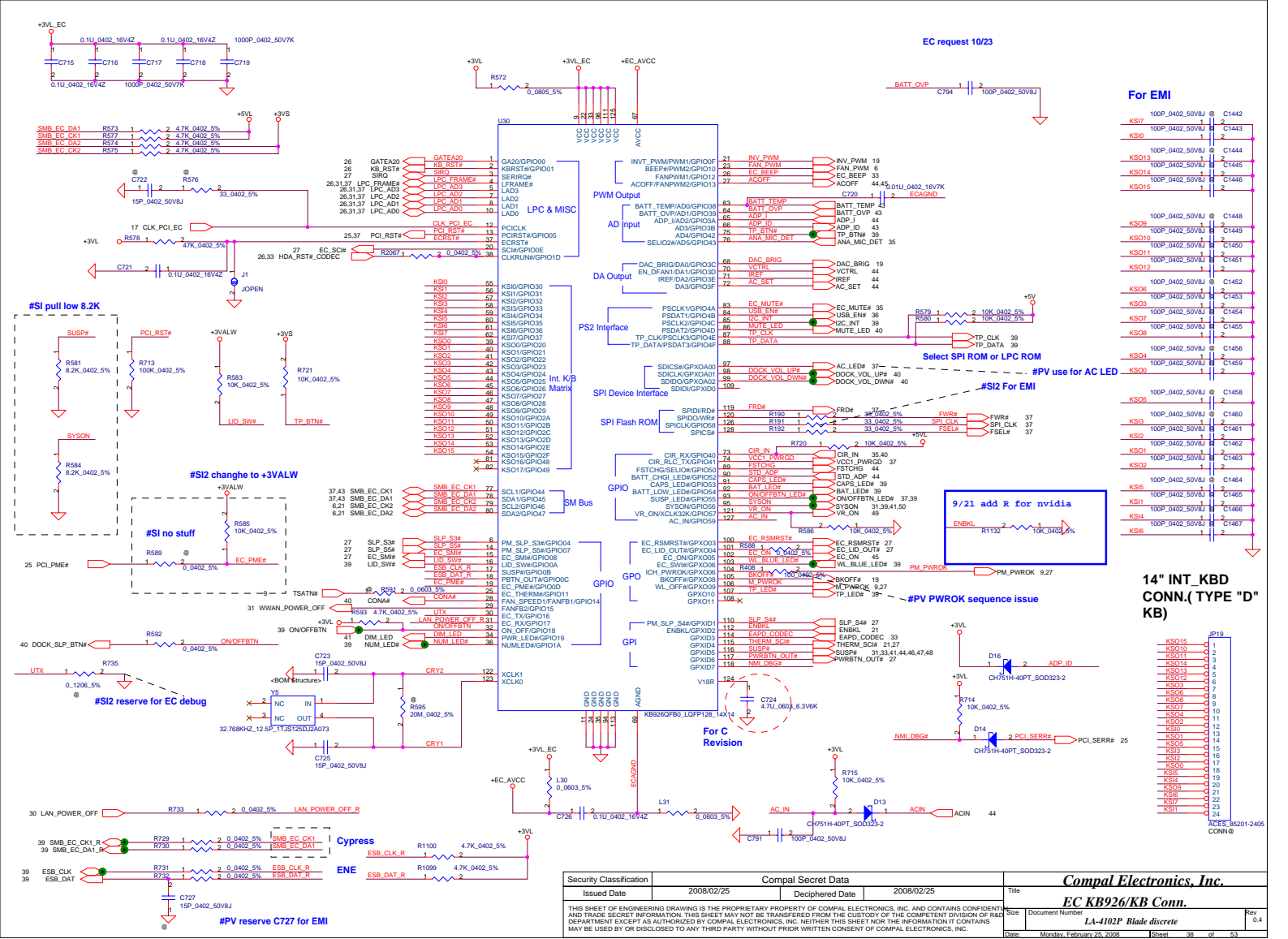
BT Connector



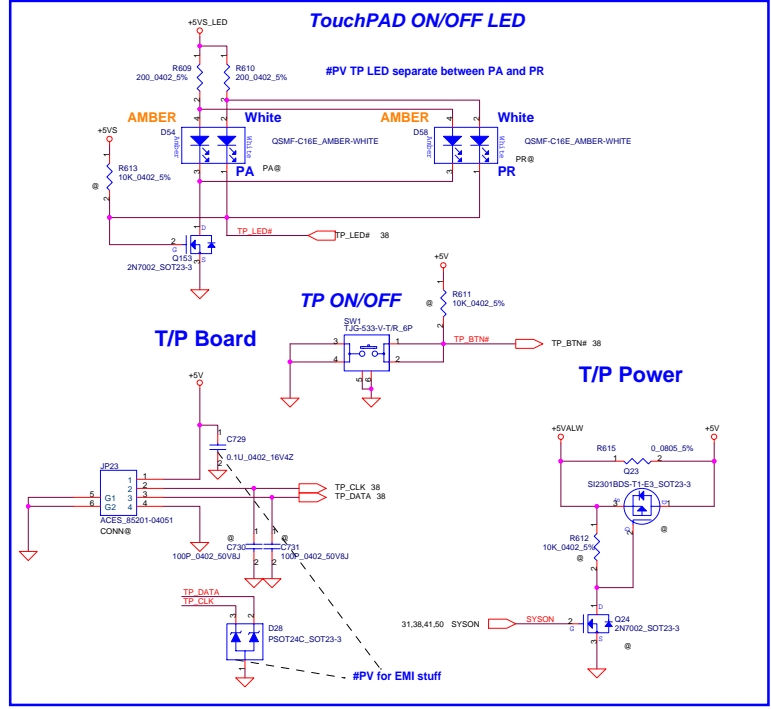
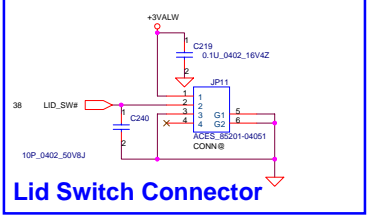
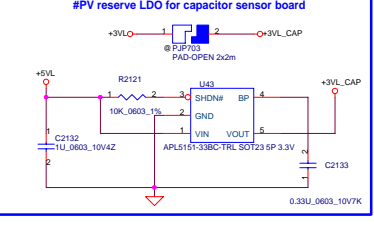
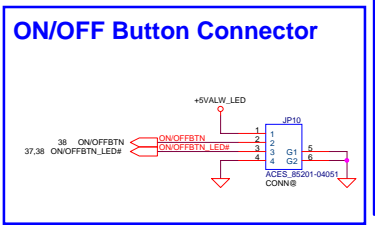
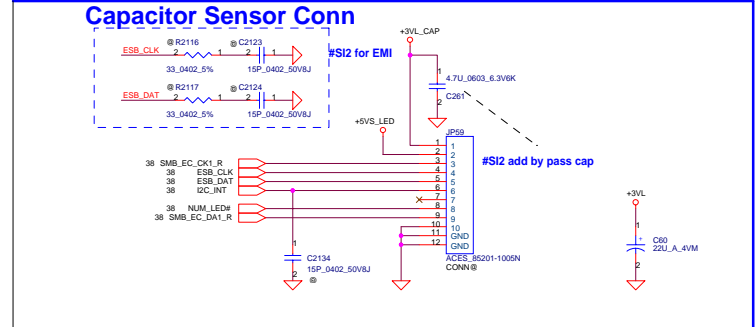
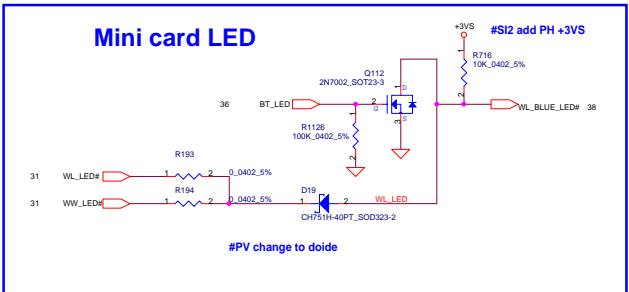
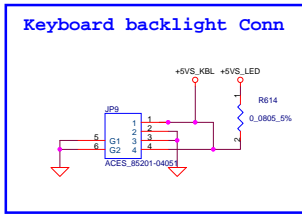
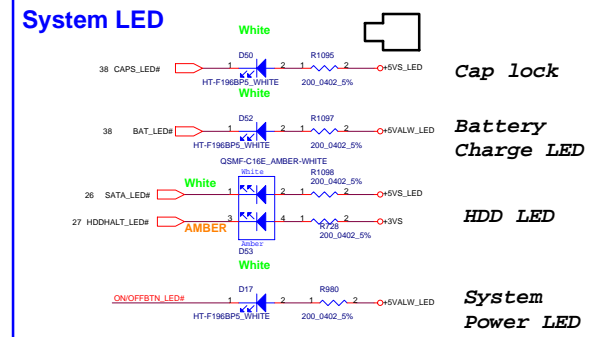
Security Classification	Compal Secret Data		Title	Compal Electronics, Inc.	
Issued Date	2008/02/25	Deciphered Date	2009/02/25	USB, BT, eSATA	
THIS SHEET OF ENGINEERING DRAWING IS THE PROPRIETARY PROPERTY OF COMPAL ELECTRONICS, INC. AND CONTAINS CONFIDENTIAL AND TRADE SECRET INFORMATION. THIS SHEET MAY NOT BE TRANSFERRED FROM THE CUSTODY OF THE COMPETENT DIVISION OF R&D DEPARTMENT EXCEPT AS AUTHORIZED BY COMPAL ELECTRONICS, INC. NEITHER THIS SHEET NOR THE INFORMATION IT CONTAINS MAY BE USED BY OR DISCLOSED TO ANY THIRD PARTY WITHOUT PRIOR WRITTEN CONSENT OF COMPAL ELECTRONICS, INC.					
Size	Document Number	LA-4102P Blade discrete	Rev	0.4	
Date	Monday, February 25, 2008	Sheet	36	of 53	



Security Classification		Compal Secret Data		Title	
Issued Date	2008/02/25	Deciphered Date	2008/02/25	BIOS ROM	
THIS SHEET OF ENGINEERING DRAWING IS THE PROPRIETARY PROPERTY OF COMPAL ELECTRONICS, INC. AND CONTAINS CONFIDENTIAL AND TRADE SECRET INFORMATION. THIS SHEET MAY NOT BE TRANSFERRED FROM THE CUSTODY OF THE COMPETENT DIVISION OR R&D DEPARTMENT EXCEPT AS AUTHORIZED BY COMPAL ELECTRONICS, INC. NEITHER THIS SHEET NOR THE INFORMATION IT CONTAINS MAY BE USED BY OR DISCLOSED TO ANY THIRD PARTY WITHOUT PRIOR WRITTEN CONSENT OF COMPAL ELECTRONICS, INC.				Size	Document Number
				LA-4102P Blade discrete	Rev 0.4
				Date	Monday, February 25, 2008
				Sheet	37 of 53

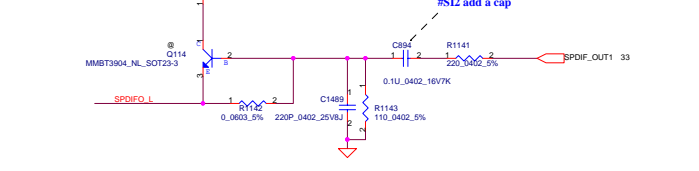
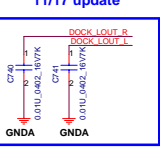
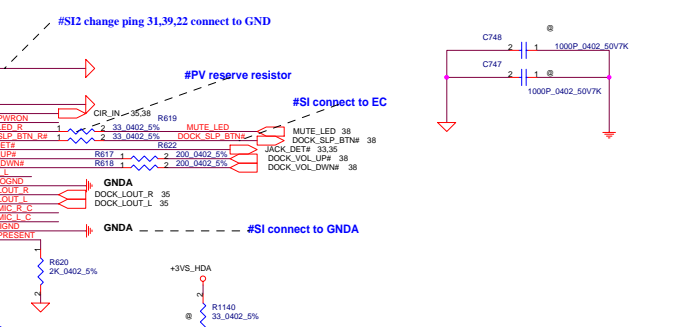
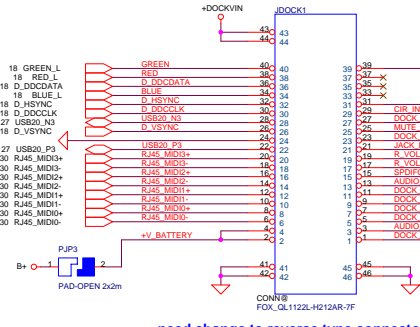
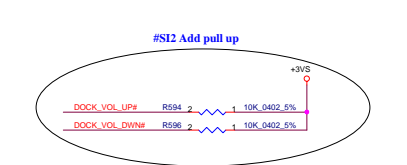
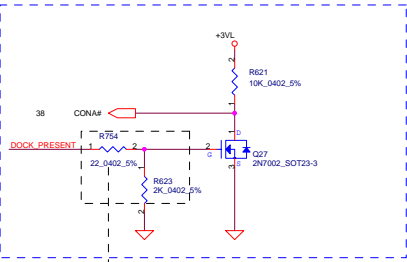
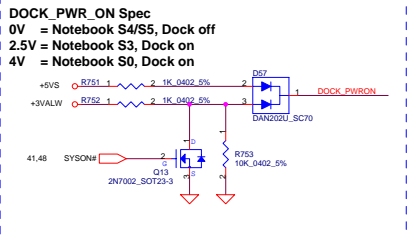


Security Classification		Compal Secret Data		Compal Electronics, Inc.	
Issued Date		Deciphered Date		Title	
2008/02/25		2008/02/25		EC KB926/KB Conn.	
THIS SHEET OF ENGINEERING DRAWING IS THE PROPRIETARY PROPERTY OF COMPAL ELECTRONICS, INC. AND CONTAINS CONFIDENTIAL AND TRADE SECRET INFORMATION. THIS SHEET MAY NOT BE TRANSFERRED FROM THE CUSTODY OF THE COMPETENT DIVISION OF THE DEPARTMENT EXCEPT AS AUTHORIZED BY COMPAL ELECTRONICS, INC. NEITHER THIS SHEET NOR THE INFORMATION IT CONTAINS MAY BE USED BY OR DISCLOSED TO ANY THIRD PARTY WITHOUT PRIOR WRITTEN CONSENT OF COMPAL ELECTRONICS, INC.			Document Number	Size	Rev
			LA-4102P Blade discrete		0.4
			Date: Monday, February 25, 2008	Sheet 38	of 53

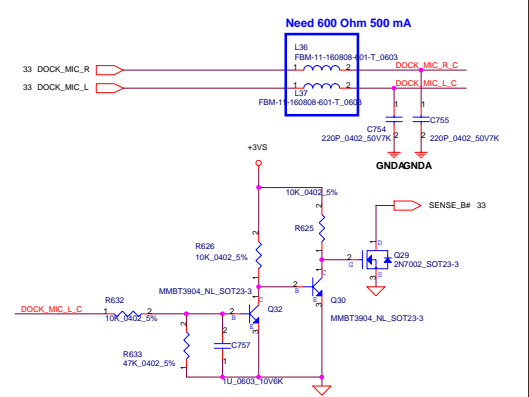


Security Classification		Compal Secret Data		Title	
Issued Date	2008/02/25	Deciphered Date	2008/02/25	Compal Electronics, Inc.	
THIS SHEET OF ENGINEERING DRAWING IS THE PROPRIETARY PROPERTY OF COMPAL ELECTRONICS, INC. AND CONTAINS CONFIDENTIAL AND TRADE SECRET INFORMATION. THIS SHEET MAY NOT BE TRANSFERRED FROM THE CUSTODY OF THE COMPETENT DIVISION OR R&D DEPARTMENT EXCEPT AS AUTHORIZED BY COMPAL ELECTRONICS, INC. NEITHER THIS SHEET NOR THE INFORMATION IT CONTAINS MAY BE USED BY OR DISCLOSED TO ANY THIRD PARTY WITHOUT PRIOR WRITTEN CONSENT OF COMPAL ELECTRONICS, INC.				Size	Document Number
				LA-4102P	Blade discrete
				Date	Monday, February 25, 2008
				Sheet	38 of 53

Atlas/ Saturn Dock

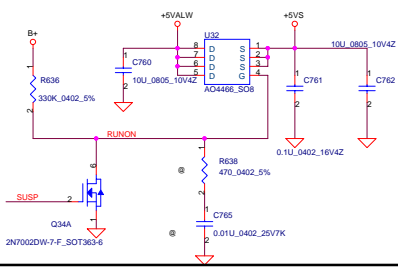


MIC_Dock

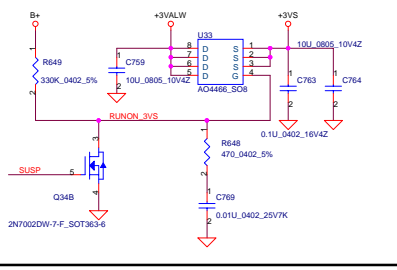


Security Classification	Compal Secret Data		Compal Electronics, Inc.	
Issued Date	2008/02/25	Deciphered Date	2008/02/25	Title
THIS SHEET OF ENGINEERING DRAWING IS THE PROPRIETARY PROPERTY OF COMPAL ELECTRONICS, INC. AND CONTAINS CONFIDENTIAL AND TRADE SECRET INFORMATION. THIS SHEET MAY NOT BE TRANSFERRED FROM THE CUSTODY OF THE COMPETENT DIVISION OF THE DEPARTMENT EXCEPT AS AUTHORIZED BY COMPAL ELECTRONICS, INC. NEITHER THIS SHEET NOR THE INFORMATION IT CONTAINS MAY BE USED BY OR DISCLOSED TO ANY THIRD PARTY WITHOUT PRIOR WRITTEN CONSENT OF COMPAL ELECTRONICS, INC.				Doc#
	LA-4102P	Doc#	LA-4102P Blade discrete	Rev
Date	Monday, February 25, 2008	Sheet	40	of 53

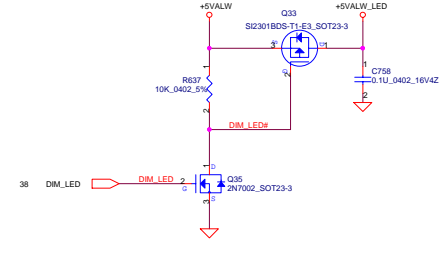
+5VALW to +5VS Transfer



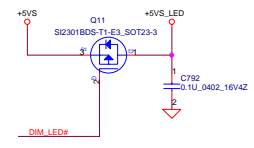
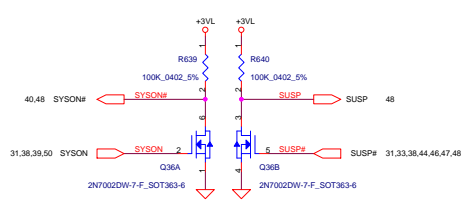
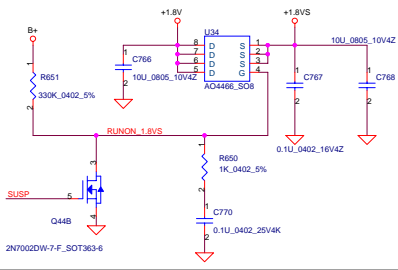
+3VALW to +3VS Transfer



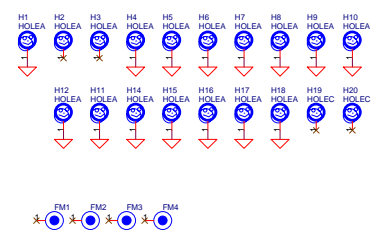
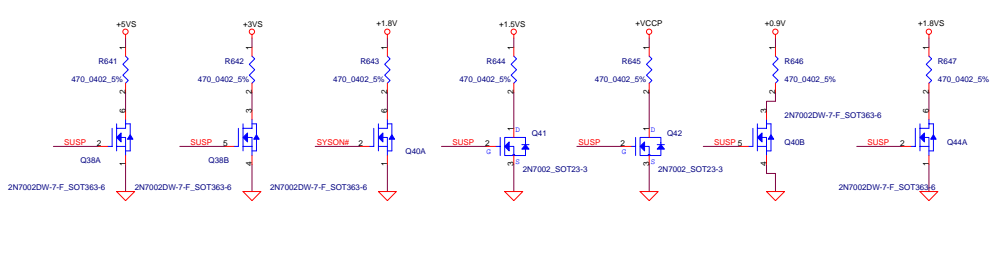
DIM LED



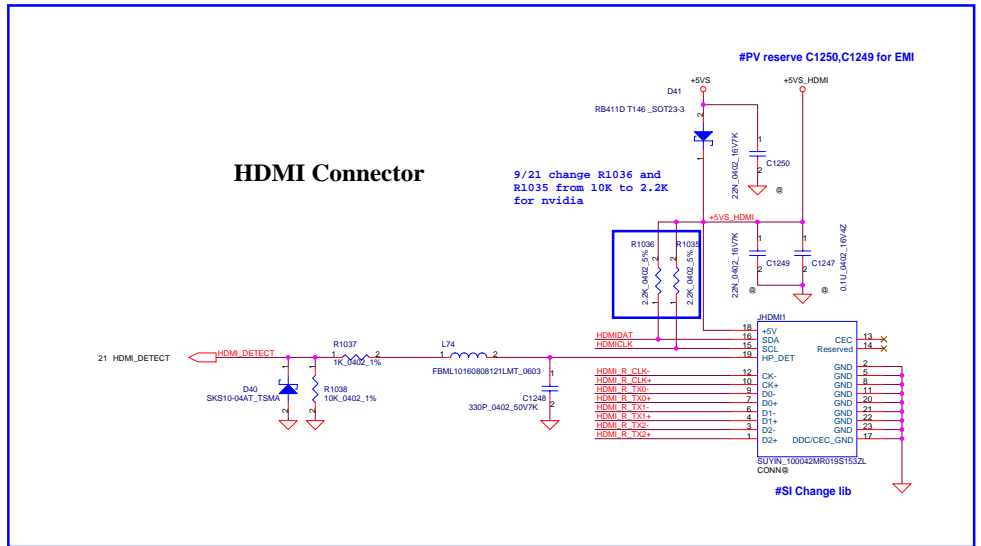
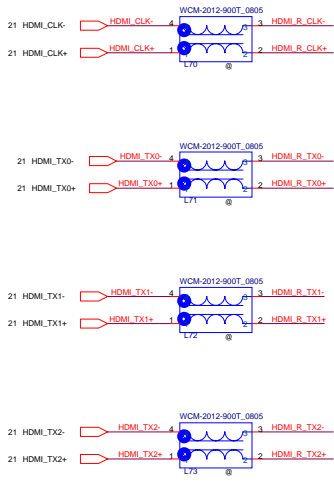
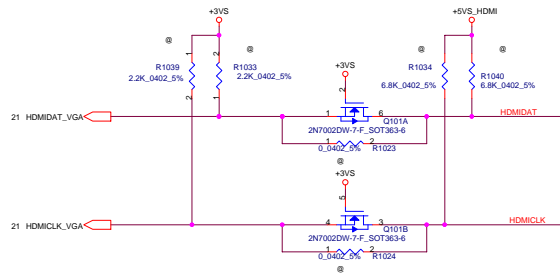
+1.8V to +1.8VS Transfer



Discharge circuit



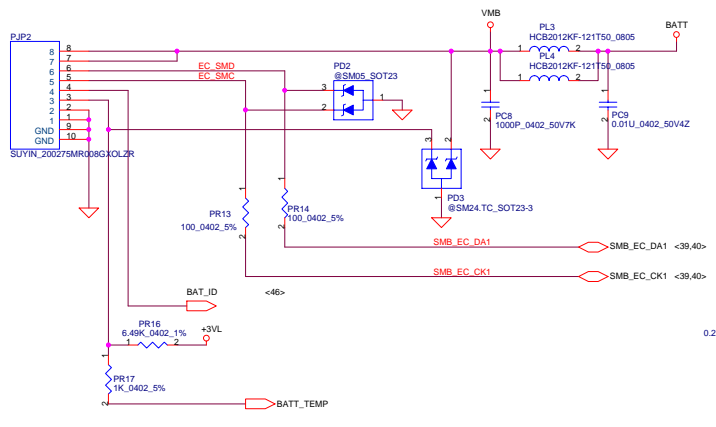
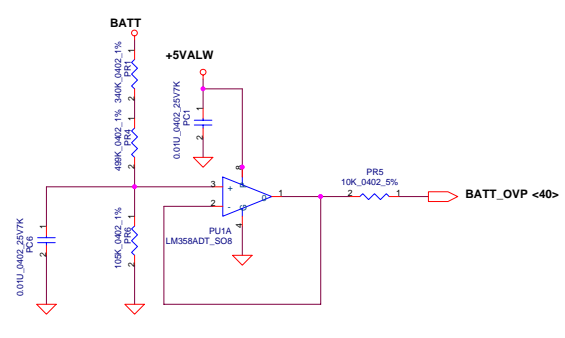
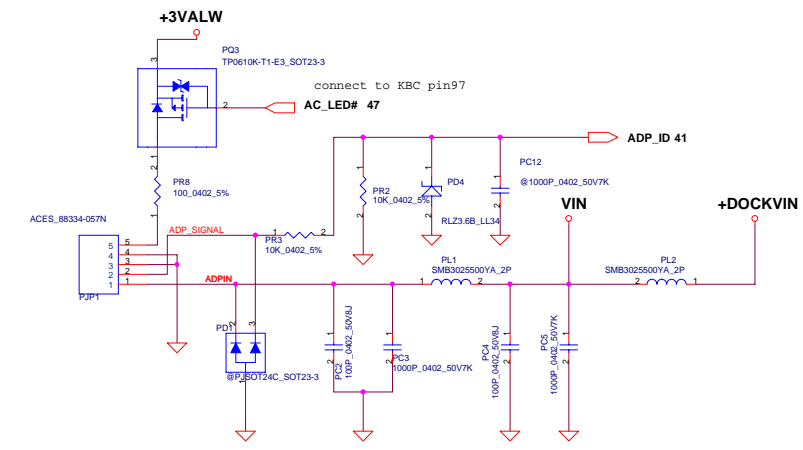
Security Classification	Compal Secret Data		Title	
Issued Date	2008/02/25	Deciphered Date	2009/02/25	DC/DC Interface
THIS SHEET OF ENGINEERING DRAWING IS THE PROPRIETARY PROPERTY OF COMPAL ELECTRONICS, INC. AND CONTAINS CONFIDENTIAL AND TRADE SECRET INFORMATION. THIS SHEET MAY NOT BE TRANSFERRED FROM THE CUSTODY OF THE COMPETENT DIVISION OF R&D DEPARTMENT EXCEPT AS AUTHORIZED BY COMPAL ELECTRONICS, INC. NEITHER THIS SHEET NOR THE INFORMATION IT CONTAINS MAY BE USED BY OR DISCLOSED TO ANY THIRD PARTY WITHOUT PRIOR WRITTEN CONSENT OF COMPAL ELECTRONICS, INC.				
Size	Document Number	Rev	Date	
	LA-4102P Blade discrete	0.4	Manday, February 25, 2008	
			Sheet	41 of 53



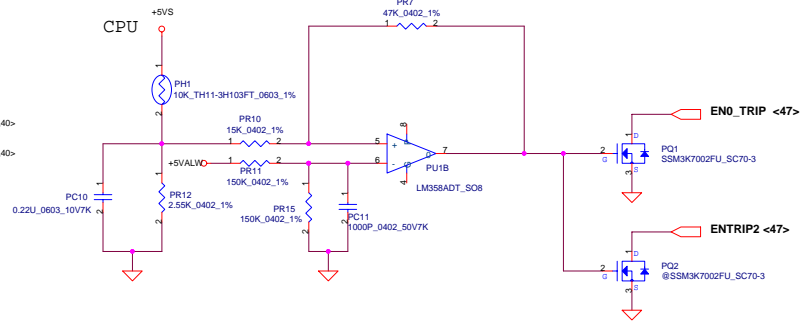
Security Classification		Compal Secret Data		Title	
Issued Date	2008/02/25	Deciphered Date	2008/02/25	Compal Electronics, Inc.	
THIS SHEET OF ENGINEERING DRAWING IS THE PROPRIETARY PROPERTY OF COMPAL ELECTRONICS, INC. AND CONTAINS CONFIDENTIAL AND TRADE SECRET INFORMATION. THIS SHEET MAY NOT BE TRANSFERRED FROM THE CUSTODY OF THE COMPETENT DIVISION OF R&D DEPARTMENT EXCEPT AS AUTHORIZED BY COMPAL ELECTRONICS, INC. NEITHER THIS SHEET NOR THE INFORMATION IT CONTAINS MAY BE USED BY OR DISCLOSED TO ANY THIRD PARTY WITHOUT PRIOR WRITTEN CONSENT OF COMPAL ELECTRONICS, INC.				Size	Document Number
				Custom	LA-4102P Blade discrete
				Date	Monday, February 25, 2008
				Sheet	42 of 53

HDMI LS & Conn.

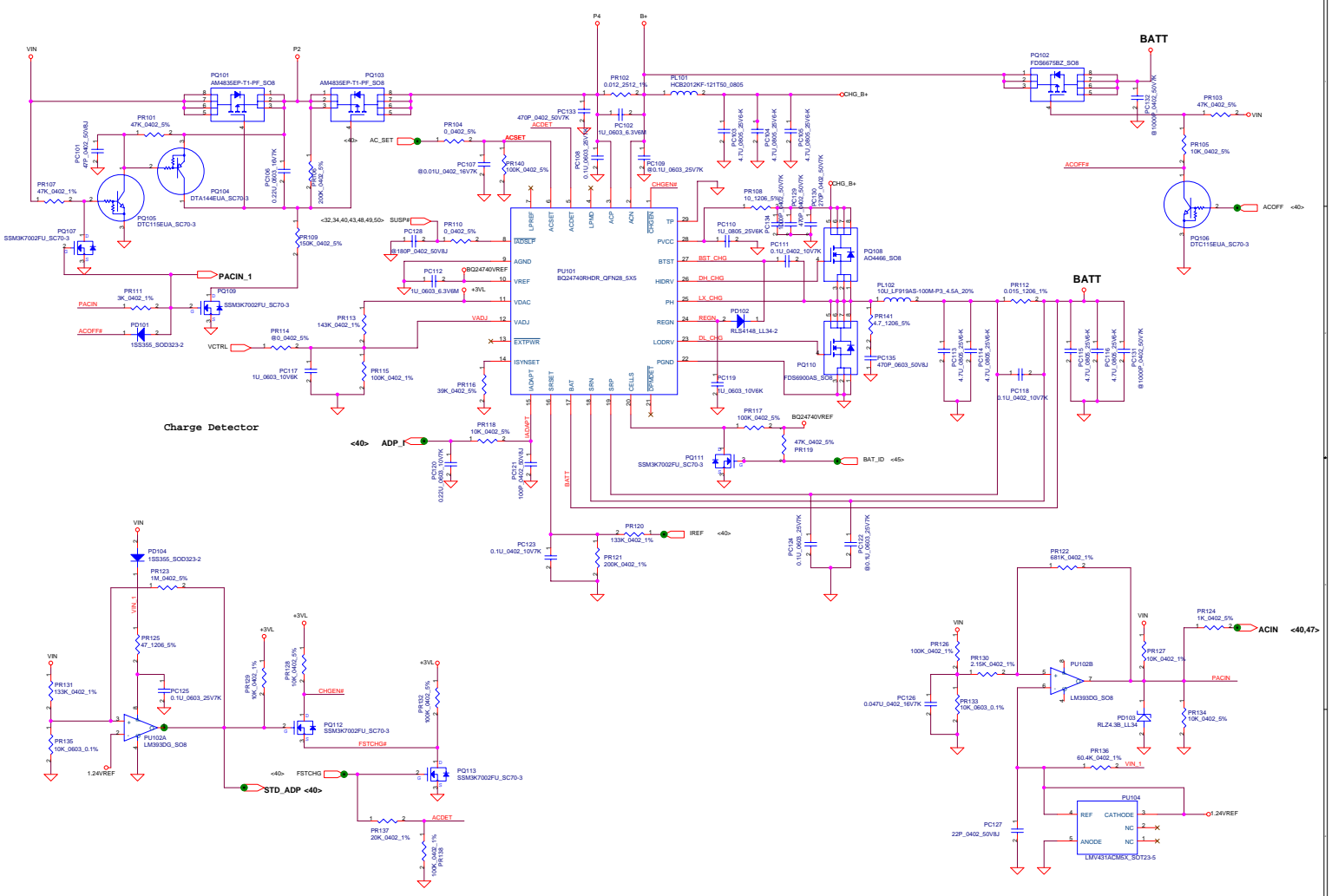
Rev 0.4



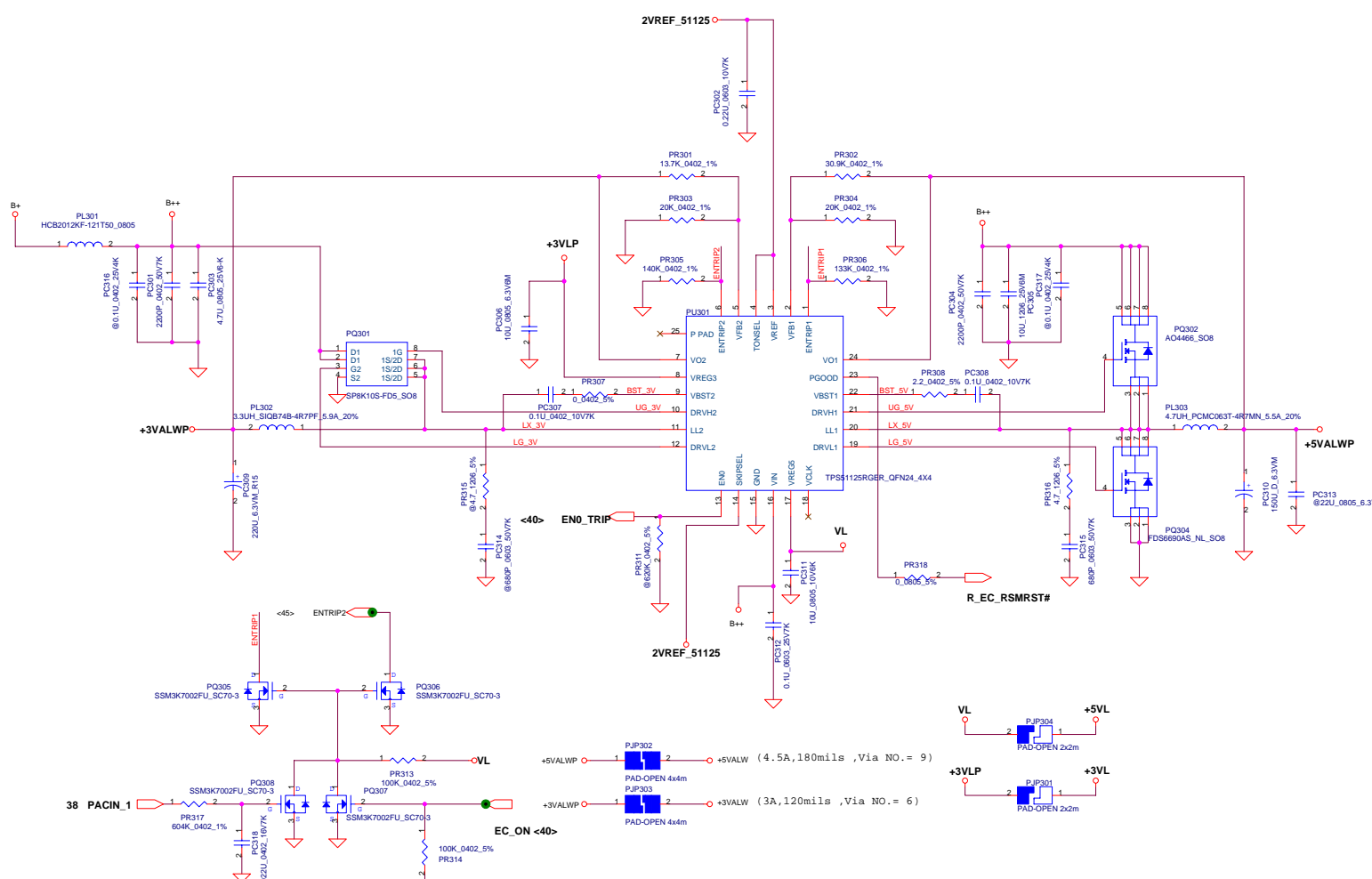
PH1 under CPU bottom side :
 CPU thermal protection at 90 +/-3 degree C
 Recovery at 47 +/-3 degree C



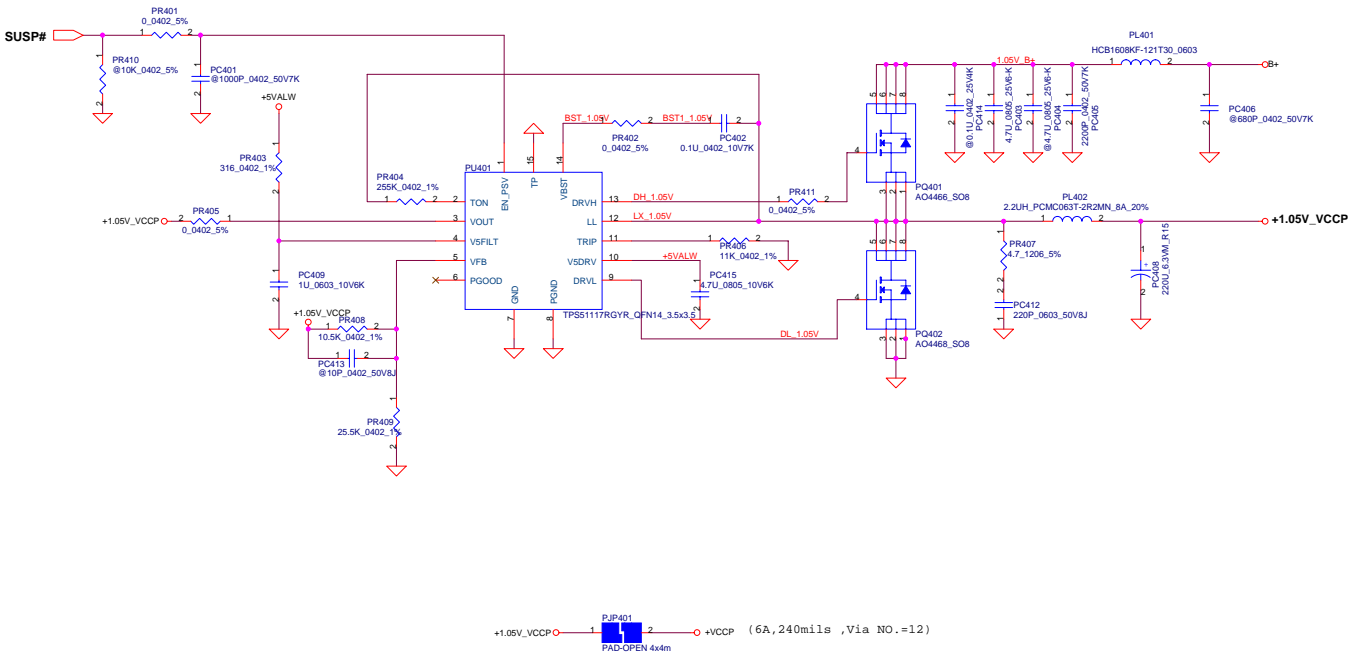
Security Classification	Compal Secret Data			Title	
Issued Date	2008/02/25	Deciphered Date	2008/02/25	DC Connector/CPU_OTP	
THIS SHEET OF ENGINEERING DRAWING IS THE PROPRIETARY PROPERTY OF COMPAL ELECTRONICS, INC. AND CONTAINS CONFIDENTIAL AND TRADE SECRET INFORMATION. THIS SHEET MAY NOT BE TRANSFERRED FROM THE CUSTODY OF THE COMPETENT DIVISION OF R&D DEPARTMENT EXCEPT AS AUTHORIZED BY COMPAL ELECTRONICS, INC. NEITHER THIS SHEET NOR THE INFORMATION IT CONTAINS MAY BE USED BY OR DISCLOSED TO ANY THIRD PARTY WITHOUT PRIOR WRITTEN CONSENT OF COMPAL ELECTRONICS, INC.				Doc No	Rev
				LA-4102P Blade discrete	0.4
Date: Monday, February 25, 2008				Sheet	43 of 52



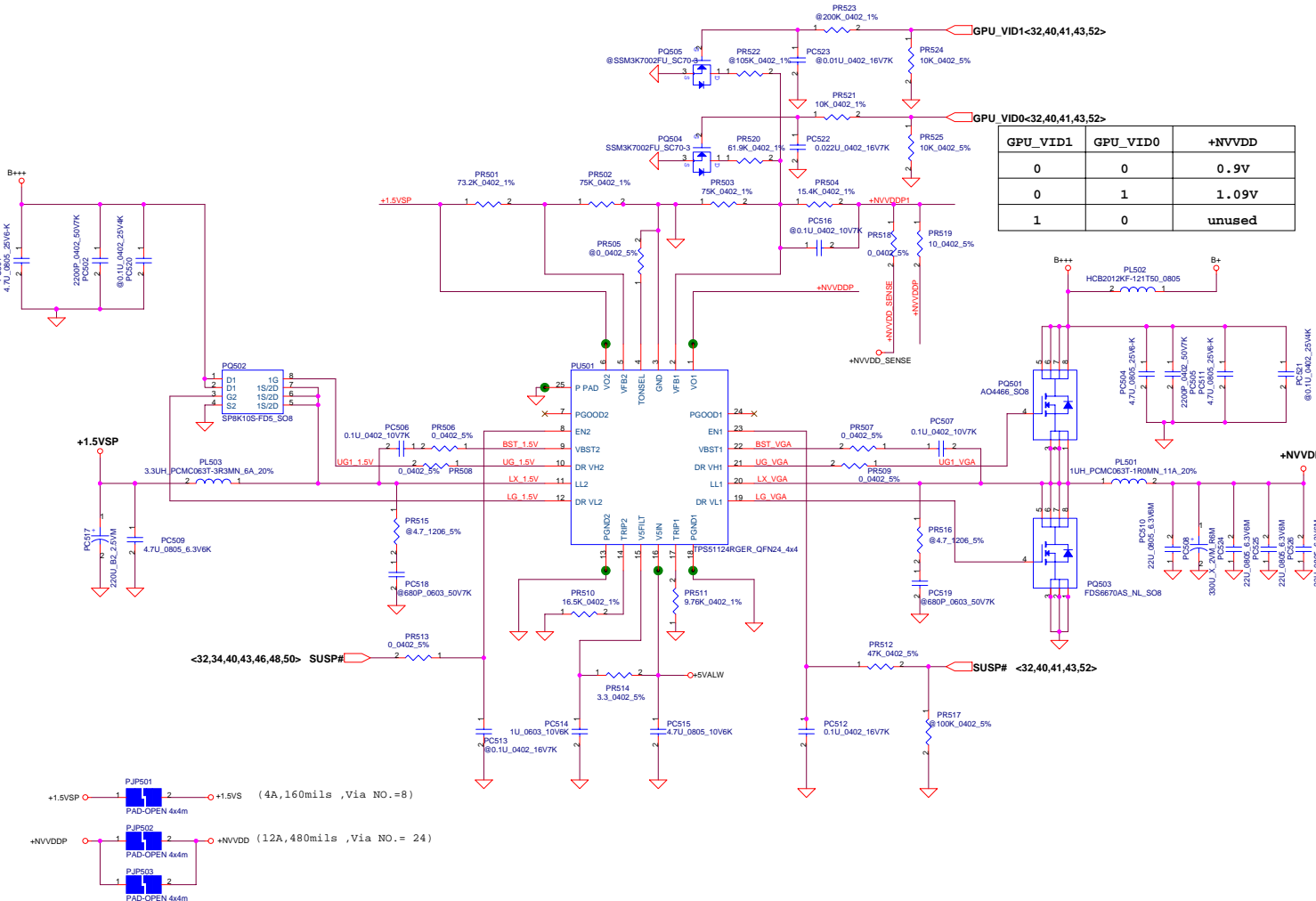
Security Classification		Compal Secret Data		Title	
Issued Date	2008/02/25	Deciphered Date	2008/02/25	Charger	
THIS SHEET OF ENGINEERING DRAWING IS THE PROPRIETARY PROPERTY OF COMPAL ELECTRONICS, INC. AND CONTAINS CONFIDENTIAL AND TRADE SECRET INFORMATION. THIS SHEET MAY NOT BE TRANSMITTED FROM THE CUSTODY OF THE LOMPEN CITY DIVISION OF RESEARCH DEPARTMENT EXCEPT AS AUTHORIZED BY COMPAL ELECTRONICS, INC. NEITHER THIS SHEET NOR THE INFORMATION IT CONTAINS MAY BE USED BY OR DISCLOSED TO ANY THIRD PARTY WITHOUT PRIOR WRITTEN CONSENT OF COMPAL ELECTRONICS, INC.					
Doc No.	ME2505	Revision	25_0008	Page	44 of 58
				Part	LA-4102P Blade discrete
				Rev	0.4



Security Classification	Compal Secret Data		Title	Compal Electronics, Inc.	
Issued Date	2008/02/25	Deciphered Date	2008/02/25	3.3VALWP/5VALWP	
THIS SHEET OF ENGINEERING DRAWING IS THE PROPRIETARY PROPERTY OF COMPAL ELECTRONICS, INC. AND CONTAINS CONFIDENTIAL AND TRADE SECRET INFORMATION. THIS SHEET MAY NOT BE TRANSFERRED FROM THE CUSTODY OF THE COMPETENT DIVISION OF R&D DEPARTMENT EXCEPT AS AUTHORIZED BY COMPAL ELECTRONICS, INC. NEITHER THIS SHEET NOR THE INFORMATION IT CONTAINS MAY BE USED BY OR DISCLOSED TO ANY THIRD PARTY WITHOUT PRIOR WRITTEN CONSENT OF COMPAL ELECTRONICS, INC.				Document Number	LA-4102P Blade discrete
				Rev	0.4
Date	Monday, February 25, 2008	Sheet	46	of 52	



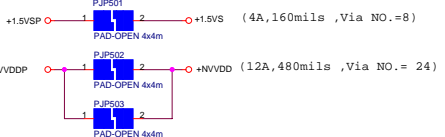
Security Classification	Compal Secret Data		Compal Electronics, Inc.	
Issued Date	2008/02/25	Deciphered Date	2008/02/25	Title
THIS SHEET OF ENGINEERING DRAWING IS THE PROPRIETARY PROPERTY OF COMPAL ELECTRONICS, INC. AND CONTAINS CONFIDENTIAL AND TRADE SECRET INFORMATION. THIS SHEET MAY NOT BE TRANSFERRED FROM THE CUSTODY OF THE COMPETENT DIVISION OF R&D DEPARTMENT EXCEPT AS AUTHORIZED BY COMPAL ELECTRONICS, INC. NEITHER THIS SHEET NOR THE INFORMATION IT CONTAINS MAY BE USED BY OR DISCLOSED TO ANY THIRD PARTY WITHOUT PRIOR WRITTEN CONSENT OF COMPAL ELECTRONICS, INC.				Document Number
				LA-4102P Blade discrete
				Rev 0.4
				Date: Monday, February 25, 2008
				Sheet 46 of 52



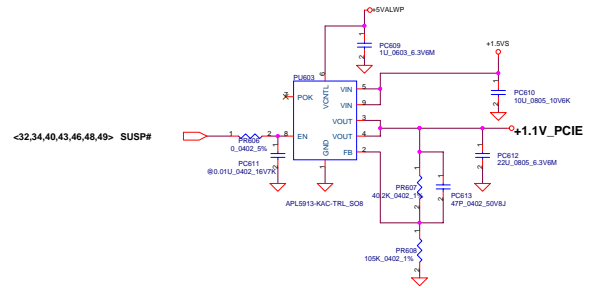
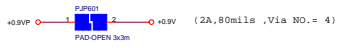
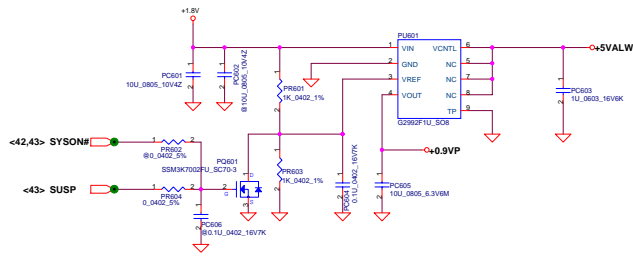
GPU_VID1	GPU_VID0	+NVVDD
0	0	0.9V
0	1	1.09V
1	0	unused

<32,34,40,43,46,48,50> SUSP#

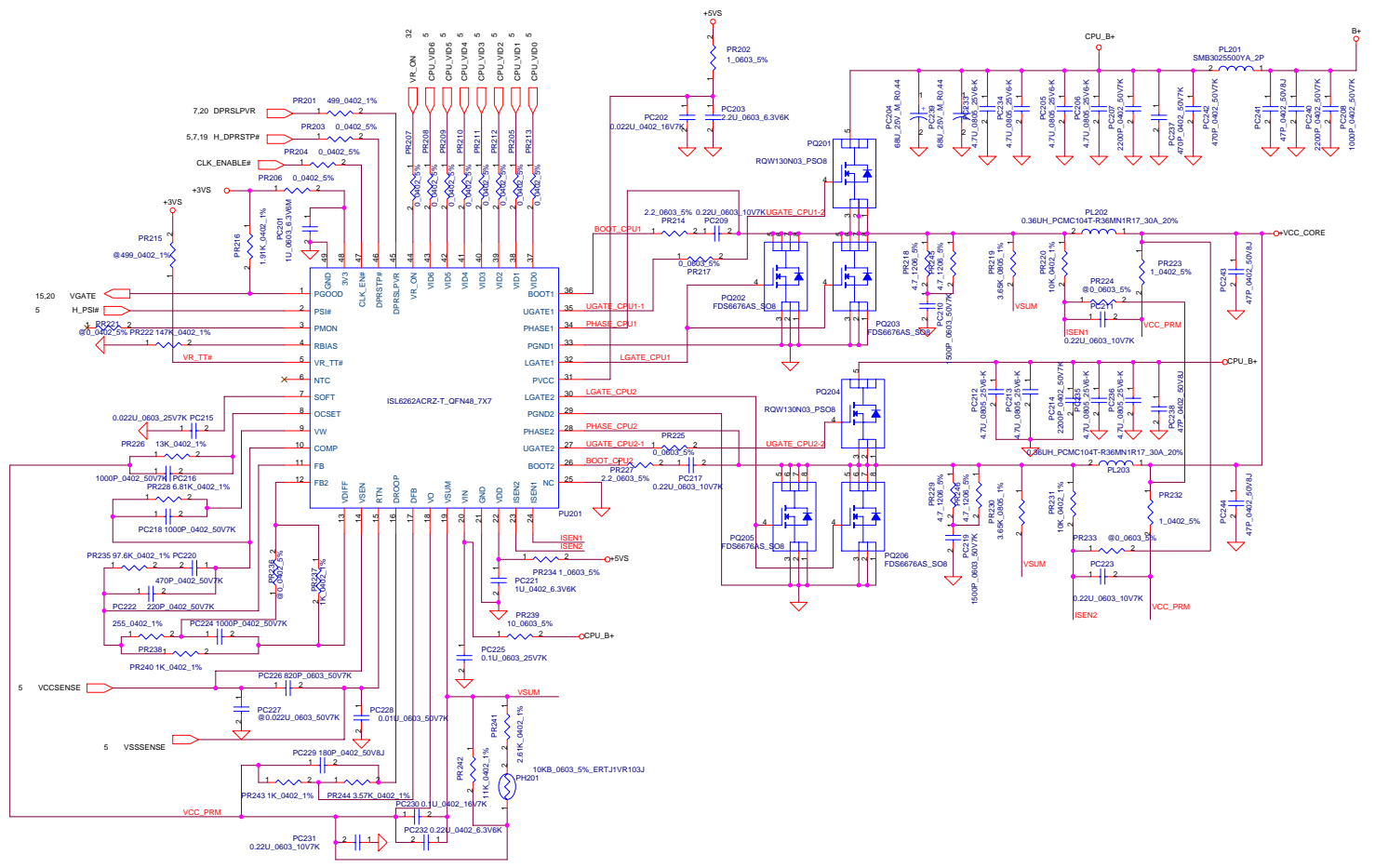
<32,40,41,43,52> SUSP#



Security Classification	Compal Secret Data		Title	Compal Electronics, Inc.	
Issued Date	2008/02/25	Deciphered Date	2008/02/25	Document Number	LA-4102P Blade discrete
THIS SHEET OF ENGINEERING DRAWING IS THE PROPRIETARY PROPERTY OF COMPAL ELECTRONICS, INC. AND CONTAINS CONFIDENTIAL AND TRADE SECRET INFORMATION. THIS SHEET MAY NOT BE TRANSFERRED FROM THE CUSTODY OF THE COMPETENT DIVISION OF R&D DEPARTMENT EXCEPT AS AUTHORIZED BY COMPAL ELECTRONICS, INC. NEITHER THIS SHEET NOR THE INFORMATION IT CONTAINS MAY BE USED BY OR DISCLOSED TO ANY THIRD PARTY WITHOUT PRIOR WRITTEN CONSENT OF COMPAL ELECTRONICS, INC.					
Date	Monday, February 25, 2008	Sheet	47	of	52



Security Classification	Compal Secret Data		Compal Electronics, Inc.	
Issued Date	2008/02/25	Deciphered Date	2008/02/25	Title
THIS SHEET OF ENGINEERING DRAWING IS THE PROPRIETARY PROPERTY OF COMPAL ELECTRONICS, INC. AND CONTAINS CONFIDENTIAL AND TRADE SECRET INFORMATION. THIS SHEET MAY NOT BE TRANSFERRED FROM THE CUSTODY OF THE COMPETENT DIVISION OF R&D DEPARTMENT EXCEPT AS AUTHORIZED BY COMPAL ELECTRONICS, INC. NEITHER THIS SHEET NOR THE INFORMATION IT CONTAINS MAY BE USED BY OR DISCLOSED TO ANY THIRD PARTY WITHOUT PRIOR WRITTEN CONSENT OF COMPAL ELECTRONICS, INC.				Size
				Document Number
				Rev
				04
				Date
				Monday, February 25, 2008
				Sheet
				48
				59



Compal Electronics, Inc.	
+CPU CORE	
File:	Rev: 0.4
Project Number:	Sheet: 49 of 52
Department:	Date: Monday, February 25, 2008

THIS SHEET OF ENGINEERING DRAWING IS THE PROPRIETARY PROPERTY OF COMPAL ELECTRONICS, INC. AND CONTAINS TRADE SECRET INFORMATION. THIS SHEET MAY NOT BE TRANSFERRED FROM THE CUSTODY OF THE COMPETENT DEPARTMENT EXCEPT AS AUTHORIZED BY COMPAL ELECTRONICS, INC. NEITHER THIS SHEET NOR THE INFORMATION IT CONTAINS MAY BE USED BY OR DISCLOSED TO ANY THIRD PARTY WITHOUT PRIOR WRITTEN CONSENT OF COMPAL ELECTRONICS, INC.

Version Change List (P. I. R. List) for Power Circuit

Item	Page#	Title	Date	Request Owner	Issue Description	Solution Description	Rev.
1	43	DC Connector /CPU_OTP	11/06	Compal	Add PD4 & PC12	Add PD4 & PC12	
2	45	3.3VALWP/5VALWP	11/06	Compal	for Layout	Change PQ301, cancel PQ303.	
3	44	Charger	11/06	Compal	EMI solution	Add PC128	
4	49	CPU_CORE	11/06	Compal	EMI solution	Add PC240	
5	47	1.5VSP/VGA_CORE	11/06	Compal	for VGA voltage steps	Add PQ505, PR523, PR524, PR525	
6	45	3.3VALWP/5VALWP	12/31	Compal	PWR request	Add PU302, control signal changed to ACOFF	
7	44	Charger	12/31	Compal	EMI solution	Add PC129, PC130, PC131, PC132, PC133	
8	49	+CPU_CORE	12/31	Compal	EMI solution	Add PC242	
9	47	+1.5VSP/VGA COREP	01/02	Compal	HW request	Change PR513 to 0_ohm	
10	44	Charger	01/02	Compal	EMI solution	Add PC135 and PR141	
11	49	+CPU_CORE	02/15	Compal	Change high-side MOS for WWAN	Change PQ201 and PQ204 to powerpak	
12	43	DC Connector /CPU_OTP	02/15	Compal	AC LED change to KBC control	ACLEd# connect to EC pin 97	
13	43	DC Connector /CPU_OTP	02/19	Compal	WWAM issue	add PC241 47pF	
14	49	+CPU_CORE	02/19	Compal	WWAM issue	add PC243 PC244 47pF	

Security Classification		Compal Secret Data		Title	
Issued Date	2008/02/25	Deciphered Date	2008/02/25	Compal Electronics, Inc.	
THIS SHEET OF ENGINEERING DRAWING IS THE PROPRIETARY PROPERTY OF COMPAL ELECTRONICS, INC. AND CONTAINS CONFIDENTIAL AND TRADE SECRET INFORMATION. THIS SHEET MAY NOT BE TRANSFERRED FROM THE CUSTODY OF THE COMPETENT DIVISION OF R&D DEPARTMENT EXCEPT AS AUTHORIZED BY COMPAL ELECTRONICS, INC. NEITHER THIS SHEET NOR THE INFORMATION IT CONTAINS MAY BE USED BY OR DISCLOSED TO ANY THIRD PARTY WITHOUT PRIOR WRITTEN CONSENT OF COMPAL ELECTRONICS, INC.				Size	Rev.
				Custom	0.4
				Document Number	
				LA-4102P Blade discrete	
				Date	Monday, February 25, 2008
				Sheet	51 of 52

Item	Fixed Issue (Reason for change)	PAGE	Modify List	Date	Phase
1	Transation Fail	08	C41, C42, C43, C44 Change ESR=7m ohm	11/21	DB
2	Disable TV out function from Docking	20	TV signal unconnected,DACB_VDD pull low 10K (R948).	11/07	DB
3	Update Connetor Library		CRT(JCRT1), HDMI(JHDMI1), ESATA(JP53), Finger print(JJP24), FAN(JP2), Speaker(JP60), Multi bay(JP12), Dual LED(D53, D54	11/17	DB
4	Delete LVDS B channel	19,20	Schematic Delete	11/17	DB
5	USB camera Footprint error	19	Change U42 to G916-390T1UF SOT23, it adjustable mode, R1091=215K , R1093=100K,Add GPIO 20 to turn off power	11/07	DB
6	Reserve Card reader D3E function	27,32	GPIO6= CR_CPPE# , GPIO22=CR_WAKE#	11/17	DB
7	Swap PCIE LAN and New card	27	Swap PCIE4 and PICE6	11/17	DB
8	Change GPU 1.8VS power	20, 21	Change 1.8VS to +VDD_MEM18	11/17	DB
9	Change G sensor control from SB, LED drive by +5VS	27, 39	Change G sensor control from SB	11/17	DB
10	Avoid Battery mode can't boot issue	38, 45	Add +3VALW GD to EC_RSMRST# to fix Battery mode can't boot issue	11/17	DB
11	Add G sensor ST and Bosch	37	Add G sensor ST and Bosch	11/17	DB
12	Change LAN solution (Marvell to Realtek)	30	Change LAN solution (Marvell to Realtek)	11/17	DB
13	LAN transformer interfere	30	U19 Change to correct transformer type	11/17	DB
14	Cardreader schematic review,add D3E function	32	R709-->10K, R1047-->8.2K, R1128-->Stuff, R705-->@, U37-->@, Cardreader LED-->+5VS, add D3E function	11/17	DB
15	Jack can't detect normal	33	R1059 change from 39.2 to 39.2K	11/17	DB
16	Docking can not power on	40	Add power on circuit D57,Q13R751,R752,R753	11/17	DB
17	HP audio team recommend	33, 35	C1480-C1487, C1352, C1354 change to 0.022U, Amp output setup to 15.6 dB, Reserve C747, C748 for GNDA and GND	11/17	DB
18	Audio jack can't detect normal	35	Add Pull up resistor R750 to +3VALW	11/17	DB
19	Docking HP audio test fail	35	Add C795, C796 to avoid DC level, and add R968, R969 to reduce HP out level	11/17	DB
20	Leakage problem	38	Correct direction prectek leakage	11/07	DB
21	EC pin define update	38	Delete EC_PME#, SYSON PU, SUSP# PU, LID_SW# change to +3VALW, Delete CLKRUN#, R582->@ for C0 chip, CIR PU+5VL, add 100P to BATT_OVP(EC recommend)	11/07	DB
22	Can't Hibernation(SLP_S4#)	38	Connect SLP_S4# to SB	11/17	DB
23	EC can't receive docking present	40	CONA# change +3VL	11/12	DB
24	Reserve capacitor on digital MIC for EMI request	19	Add C496,C498	11/07	DB
25	Add 2N7002 to GND on HDMI to avoid leakage.	21	Add Q74	01/04	SI
26	+VDD_MEM18 to +1.8VS, change to jummpers	22	Delete R1124,R1125 add PJP605	01/04	SI
27	HDCP ROM fail. HDCP_SCL need pull high.	22	R224 no stuff. R213 stuff.	01/04	SI
28	Reserve capacitor on digital MIC for SED, WWAN noise	26	Add C499,C502	01/04	SI

Security Classification		Compal Secret Data		Title	
Issued Date	2008/02/25	Deciphered Date	2008/02/25	HW PIR	
THIS SHEET OF ENGINEERING DRAWING IS THE PROPRIETARY PROPERTY OF COMPAL ELECTRONICS, INC. AND CONTAINS CONFIDENTIAL AND TRADE SECRET INFORMATION. THIS SHEET MAY NOT BE TRANSFERRED FROM THE CUSTODY OF THE COMPETENT DIVISION OF R&D DEPARTMENT EXCEPT AS AUTHORIZED BY COMPAL ELECTRONICS, INC. NEITHER THIS SHEET NOR THE INFORMATION IT CONTAINS MAY BE USED BY OR DISCLOSED TO ANY THIRD PARTY WITHOUT PRIOR WRITTEN CONSENT OF COMPAL ELECTRONICS, INC.				Document Number	Rev
				LA-4102P Blade discrete	0.4
				Date	Sheet
				Monday, February 25, 2008	52 of 53

Item	Fixed Issue (Reason for change)	PAGE	Modify List	Date	Phase
1	Change transformer vendor	30	change U19 library	01/04	SI
2	XMIT_OFF add a diode to avoid leakage.	31	Add D88	01/04	SI
3	Card reader recommend	32	XD_ALE need pull +3VS not pull low.	01/04	SI
4	change Q54 from transistor to MOS for cardreader LED.	32	Change Q54	01/04	SI
5	speaker pop issue	35	Change C1488 to 1U	01/04	SI
6	Reserve capacitor on SPL_FSEL#,CLK#,FER for EMI request	36	Add C2125,C2126,C2127	01/04	SI
7	Change EC_PME pull high from +3VL to +3VALW	38	R585 stuff	01/04	SI
8	Reserve damping resistor on SPL_CLK for EMI request	38	Add R191	01/04	SI
9	WLAN LED issue,WL_BLUE_LED# pull +3VS	39	Add R716	01/04	SI
10	Add bypass capacitance on sensor bottom	39	Add C261(4.7U)	01/04	SI
11	EC can't detect DOCK_PRESENT.	40	change R754 to 22 Ohm,R623 to 2K	01/04	SI
12	Add DOCK_VOL_UP#,DOCK_VOL_Down# pull +3VS	40	Add R594,R596	01/04	SI
13	SPDIF issue	40	follow Vader	01/04	SI
14	Docking CRT blurred	40	Change ping 31,39,22 connect to GND	01/04	SI
15	Change R650 and C770 to modify the power sequence	41	change R650 to 1K, C770 to 0.1u	01/04	SI
16	Add 12P on CLK_14M_ICh for WWAN noise	17	Add 12P on CLK_14M_ICh	02/15	PV
17	BKOFF# reserve pull low 10K	19	reserve R717	02/15	PV
18	Reserve CMD27 to support 64M X16	7,8	Reserve CMD27 to support 64M X16	02/15	PV
19	Reserve cap on HDA_BITCLK for WWAN noise issue	26	Reserve cap on HDA_BITCLK	02/15	PV
20	Reserve to prevent ESD issue	30	Reserve ESD diode on LAN LED pin	02/15	PV
21	Change WLAN and WWAN 0402 resistor to 0805	31	Change WLAN and WWAN 0402 resistor to 0805, and WLAN change to +3VS power plane	02/15	PV
22	Direct drive LED, and add D3E function diode	32	Direct drive LED and XD_ALE Pull L, and add D86 for D3E function	02/15	PV
23	Change R1092 value on BT power switch Gate	36	Change R1092 to 10K	02/15	PV
24	Correct AC_LED control by EC	38	AC_LED Change controll by EC	02/15	PV
25	Change all LED limit current resistor to 200 ohm	39	Change all LED limit current resistor to 200 ohm and add Touch pad LED for PR	02/15	PV
26	Add 33 ohm for MUTE_LED and DOCK_SLP_BTN#	40	Add 33 ohm for MUTE_LED and DOCK_SLP_BTN#	02/15	PV
27	follow check list ver:1.5	6	change R13 to 56 ohm;change R2-R8 to 51 ohm;change R11 to 0ohm	02/20	PV
28	Reserve Cap for EMI	42	add C1250,C1249	02/20	PV

Security Classification		Compal Secret Data		Title	
Issued Date	2008/02/25	Deciphered Date	2008/02/25	HW PIR	
THIS SHEET OF ENGINEERING DRAWING IS THE PROPRIETARY PROPERTY OF COMPAL ELECTRONICS, INC. AND CONTAINS CONFIDENTIAL AND TRADE SECRET INFORMATION. THIS SHEET MAY NOT BE TRANSFERRED FROM THE CUSTODY OF THE COMPETENT DIVISION OF R&D DEPARTMENT EXCEPT AS AUTHORIZED BY COMPAL ELECTRONICS, INC. NEITHER THIS SHEET NOR THE INFORMATION IT CONTAINS MAY BE USED BY OR DISCLOSED TO ANY THIRD PARTY WITHOUT PRIOR WRITTEN CONSENT OF COMPAL ELECTRONICS, INC.				Document Number	LA-4102P Blade discrete
Date	Monday, February 25, 2008	Sheet	53	of	53

Item	Fixed Issue (Reason for change)	PAGE	Modify List	Date	Phase
1	follow check list Ver:1.5	17	reserve R148	02/15	PV
2	follow check list Ver:1.5	9	change R45,R48 to 10K	02/15	PV
3	boot code "88" power sequence fail	27	add Diode from PWROK to RSMRST	02/15	PV
4	Change BT,LAN,DOCK,Multibay connect for DFX			02/15	PV
5	Change WWAN and WLAN LED	39		02/15	PV
6	For EMI	37	SPL_CLK add R2118 , R2119 , R2120 => 33ohm add C2125 , C2126 , C2127 => 22pF;R553, 554, 556 =>10ohm	02/15	PV
7	For EMI	30	LAN add C656 and C657 => 0.1uF	02/15	PV
8	For EMI	39	T/P add D28 and C729	02/15	PV
9					
10					
11					
12					
13					
14					
15					
16					
17					
18					
19					
20					
21					
22					
23					
24					
25					
26					
27					
28					

Security Classification		Compal Secret Data		Title	
Issued Date	2008/02/25	Deciphered Date	2008/02/25	HW PIR	
THIS SHEET OF ENGINEERING DRAWING IS THE PROPRIETARY PROPERTY OF COMPAL ELECTRONICS, INC. AND CONTAINS CONFIDENTIAL AND TRADE SECRET INFORMATION. THIS SHEET MAY NOT BE TRANSFERRED FROM THE CUSTODY OF THE COMPETENT DIVISION OF R&D DEPARTMENT EXCEPT AS AUTHORIZED BY COMPAL ELECTRONICS, INC. NEITHER THIS SHEET NOR THE INFORMATION IT CONTAINS MAY BE USED BY OR DISCLOSED TO ANY THIRD PARTY WITHOUT PRIOR WRITTEN CONSENT OF COMPAL ELECTRONICS, INC.				Document Number	Rev
				LA-4102P Blade discrete	0.4
				Date	Sheet
				Monday, February 25, 2008	54 of 53

www.s-manuals.com