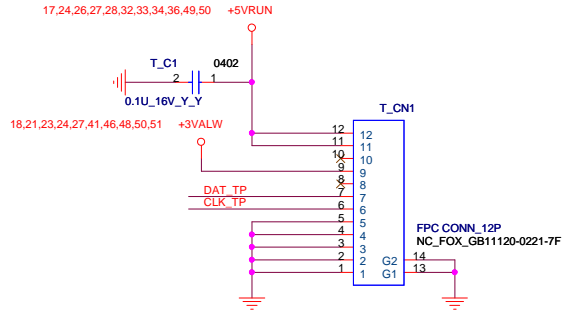
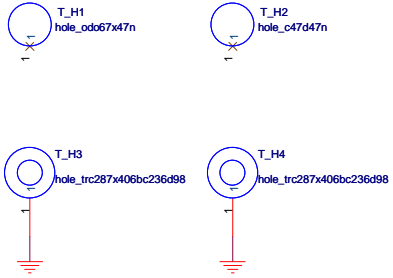
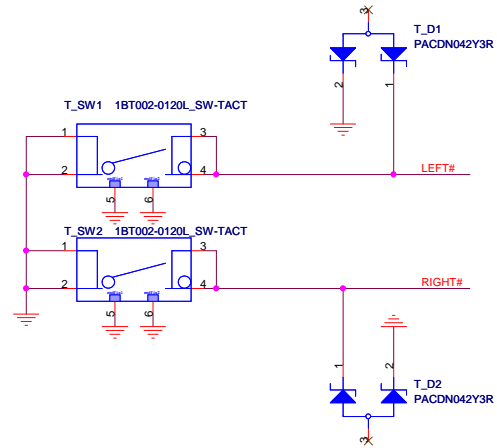
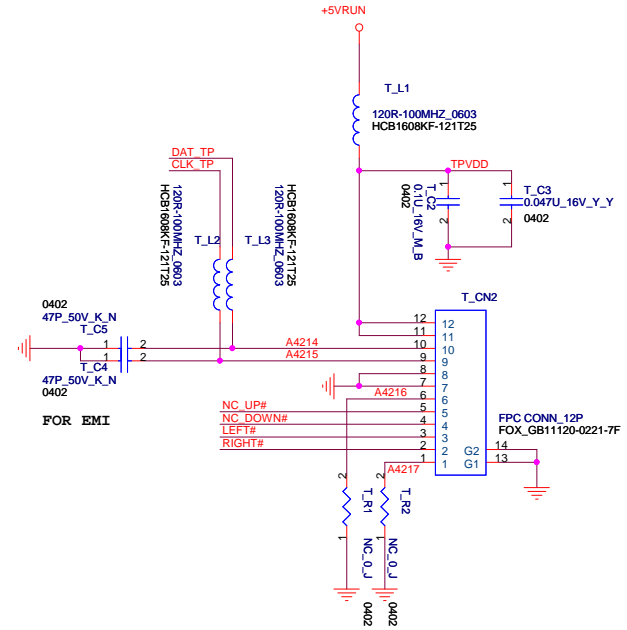


HOLE



Touch Pad Board



FOXCONN		HON HAI Precision Ind. Co., Ltd.	
Title		Touch Pad	
Size	Document Number	Rev	
A3	MS70-1-02	0.20	
Date:	Tuesday, April 04, 2006	Sheet	2 of 2