

Compal Confidential

Schematics Document

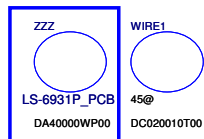
LS-6931P Power Board

2010-10-22

REV: 1.0

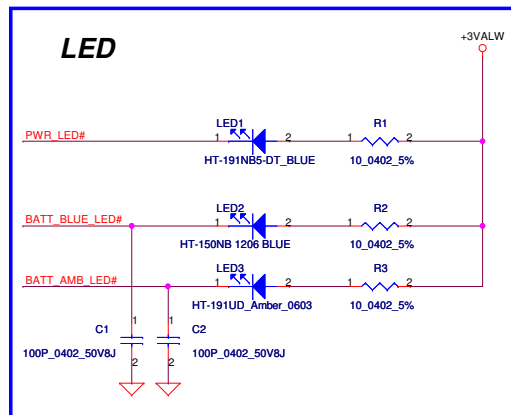
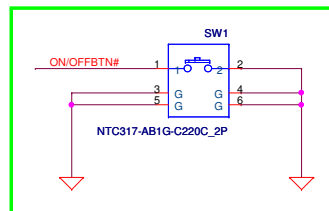
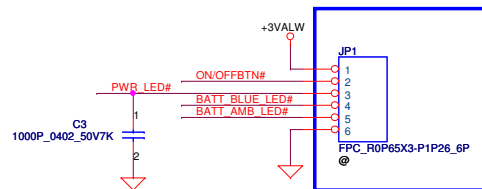
Security Classification	Compal Secret Data			Compal Electronics, Inc.		
Issued Date	2009/08/25	Deciphered Date	2010/10/22	Title	Cover Page	
THIS SHEET OF ENGINEERING DRAWING IS THE PROPRIETARY PROPERTY OF COMPAL ELECTRONICS, INC. AND CONTAINS CONFIDENTIAL AND TRADE SECRET INFORMATION. THIS SHEET MAY NOT BE TRANSFERRED FROM THE CUSTODY OF THE COMPETENT DIVISION OF R&D DEPARTMENT EXCEPT AS AUTHORIZED BY COMPAL ELECTRONICS, INC. NEITHER THIS SHEET NOR THE INFORMATION IT CONTAINS MAY BE USED BY OR DISCLOSED TO ANY THIRD PARTY WITHOUT PRIOR WRITTEN CONSENT OF COMPAL ELECTRONICS, INC.				Size	Document Number	Rev
				Custom	LS-6931P	1.0
				Date:	Friday, October 22, 2010	Sheet 1 of 2

Power BOARD



Power Button

ON/OFF switch



Security Classification	Compal Secret Data			Compal Electronics, Inc.		
Issued Date	2009/09/09	Deciphered Date	2010/10/22	Title Power/B		
THIS SHEET OF ENGINEERING DRAWING IS THE PROPRIETARY PROPERTY OF COMPAL ELECTRONICS, INC. AND CONTAINS CONFIDENTIAL AND TRADE SECRET INFORMATION. THIS SHEET MAY NOT BE TRANSFERRED FROM THE CUSTODY OF THE COMPETENT DIVISION OF R&D DEPARTMENT EXCEPT AS AUTHORIZED BY COMPAL ELECTRONICS, INC. NEITHER THIS SHEET NOR THE INFORMATION IT CONTAINS MAY BE USED BY OR DISCLOSED TO ANY THIRD PARTY WITHOUT PRIOR WRITTEN CONSENT OF COMPAL ELECTRONICS, INC.				Size	Document Number	Rev
				Custom	LS-6931P	1.0
Date: Friday, October 22, 2010				Sheet 2 of 2		

Version Change List (P. I. R. List) for HW Circuit

Item	Page #	Title	Date	Request Owner	Issue Description	Solution Description	Rev.
1		SW1		Compal	Footprint of LS6931PR01 is too small	SW1 Footprint change to SW_MPTCFGPI-V-TR_2P	0.2
2							
3							
4							
5							
6							
7							
8							
9							
10							

Security Classification		Compal Secret Data		Title	
Issued Date	<Issued_Date>	Deciphered Date	<Deciphered_Date>	<Title>	
<small>THIS SHEET OF ENGINEERING DRAWING IS THE PROPRIETARY PROPERTY OF COMPAL ELECTRONICS, INC. AND CONTAINS CONFIDENTIAL AND TRADE SECRET INFORMATION. THIS SHEET MAY NOT BE TRANSFERRED FROM THE CUSTODY OF THE COMPETENT DIVISION OF R&D DEPARTMENT EXCEPT AS AUTHORIZED BY COMPAL ELECTRONICS, INC. NEITHER THIS SHEET NOR THE INFORMATION IT CONTAINS MAY BE USED BY OR DISCLOSED TO ANY THIRD PARTY WITHOUT PRIOR WRITTEN CONSENT OF COMPAL ELECTRONICS, INC.</small>				Size	Document Number
				Rev	1.0
				Date:	Friday, October 22, 2010
				Sheet	58 of 58