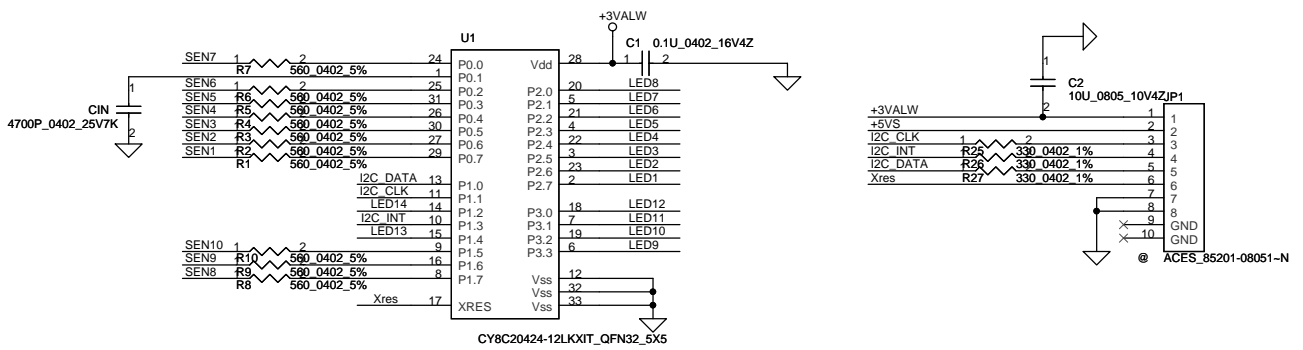
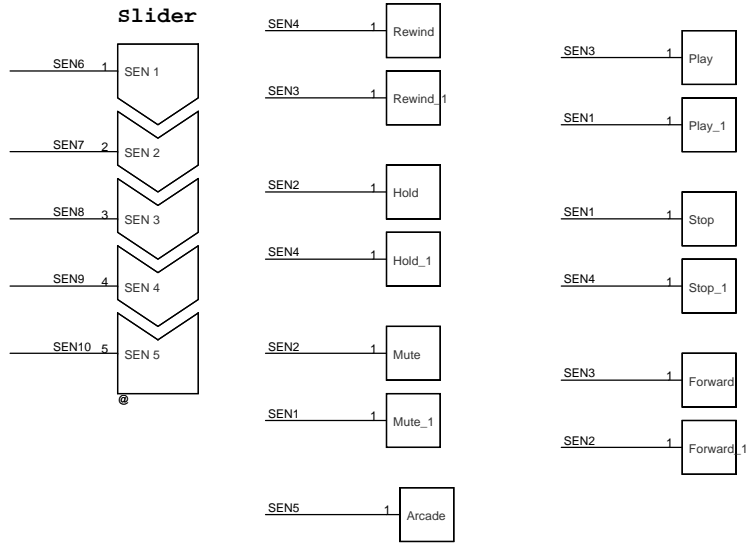
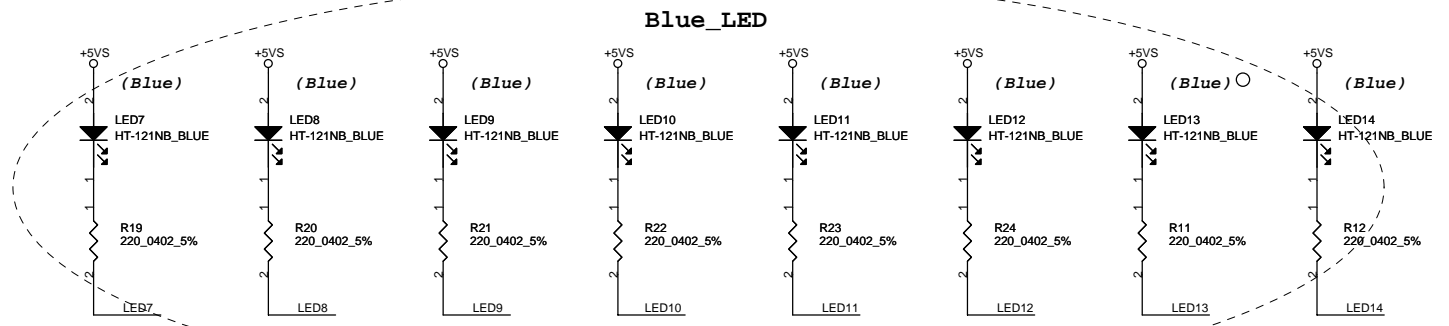
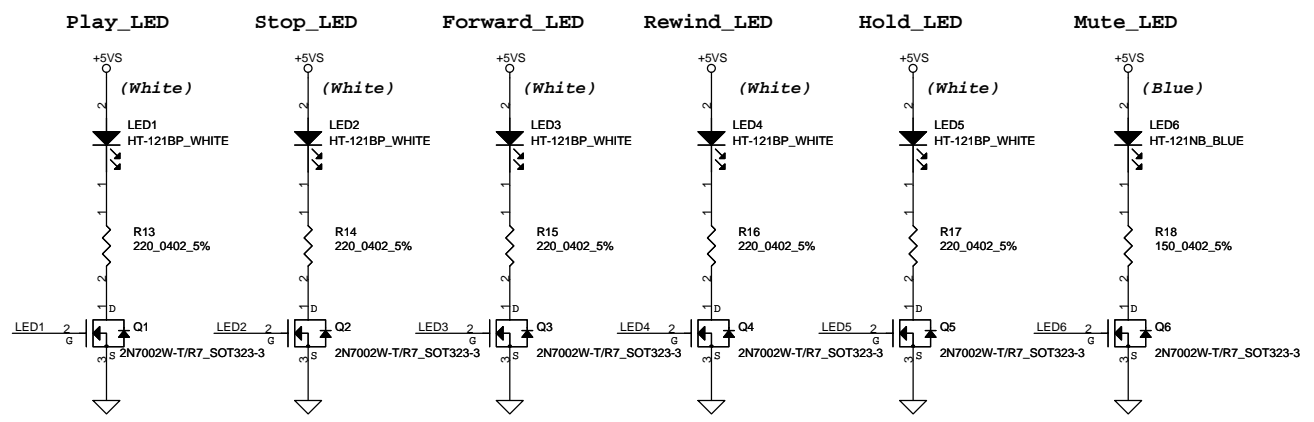
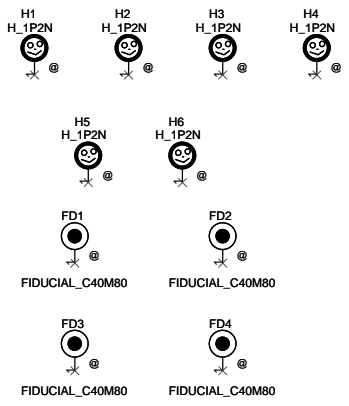
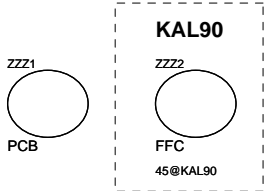


COMPAL CONFIDENTIAL

MODEL NAME: KAL90
PCB NAME: LS-4493P MEDIA/B
COMPAL P/N: DA600009C00
REVISION: 1.0
DATE: 2008/09/08



Security Classification		Compal Secret Data		Compal Electronics, Inc.	
Issued Date	2007/3/14	Deciphered Date	2008/3/8	Title	
THIS SHEET OF ENGINEERING DRAWING IS THE PROPRIETARY PROPERTY OF COMPAL ELECTRONICS, INC. AND CONTAINS CONFIDENTIAL AND TRADE SECRET INFORMATION. THIS SHEET MAY NOT BE TRANSFERRED FROM THE CUSTODY OF THE COMPETENT DIVISION OF R&D DEPARTMENT EXCEPT AS AUTHORIZED BY COMPAL ELECTRONICS, INC. NEITHER THIS SHEET NOR THE INFORMATION IT CONTAINS MAY BE USED BY OR DISCLOSED TO ANY THIRD PARTY WITHOUT PRIOR WRITTEN CONSENT OF COMPAL ELECTRONICS, INC.				Document Number	Rev B
				4059SK	
Date: Thursday, October 30, 2008				Sheet	1 of 1