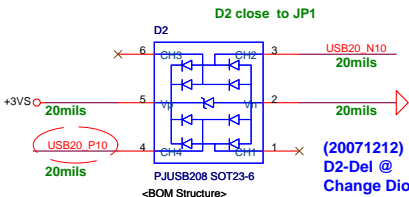
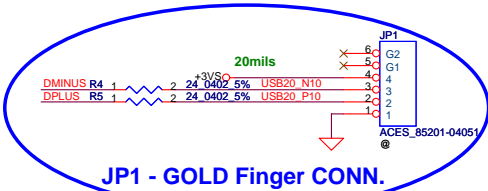


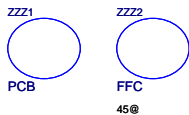
COMPAL CONFIDENTIAL

MODEL NAME: JAL90
PCB NAME: LS-4201P FINGERPRINT BOARD
COMPAL P/N: DA600007910
REVISION: 1.0
DATE: 2008/4/11

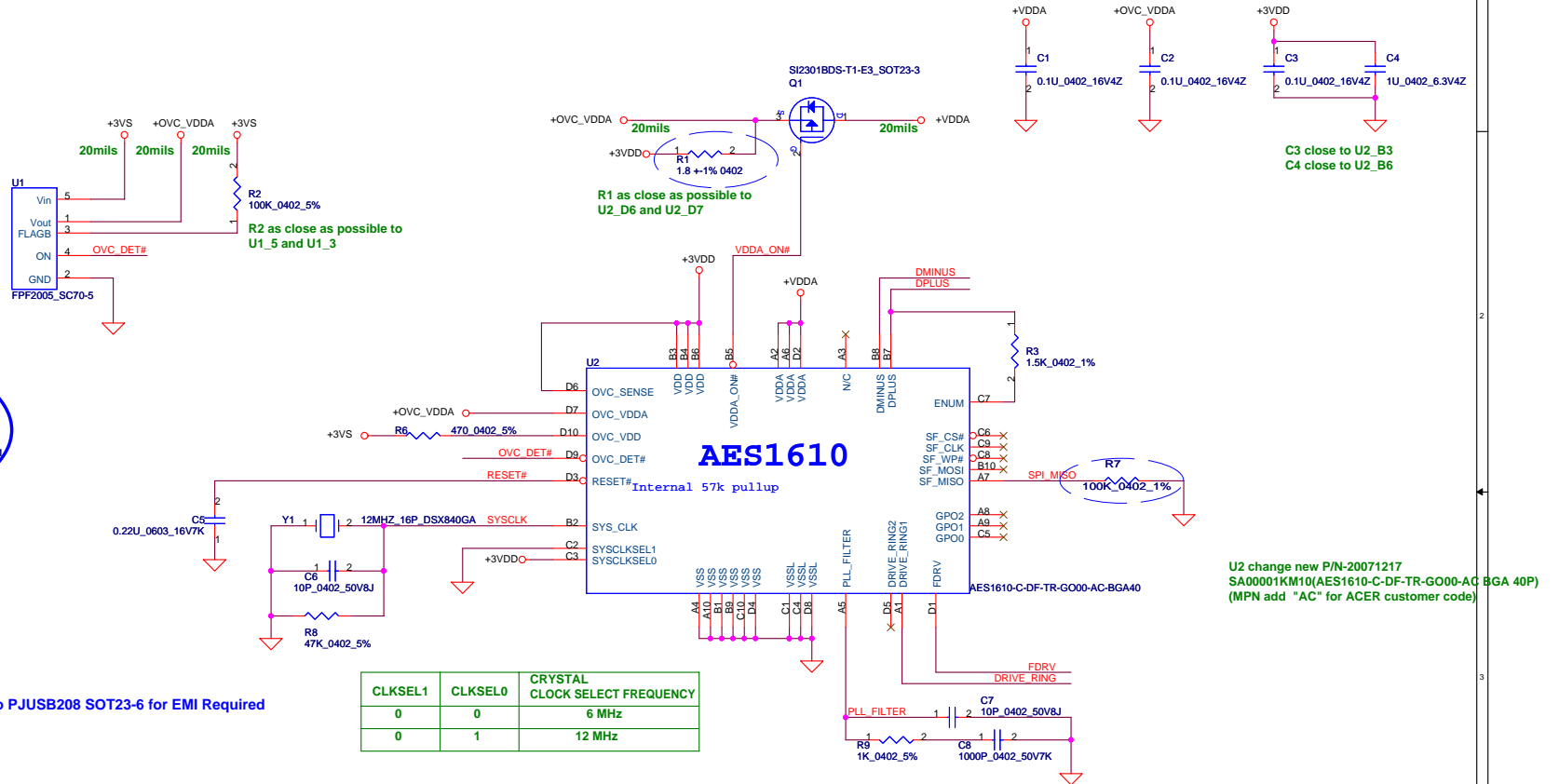
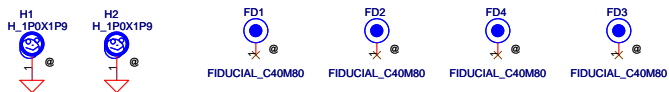
Del JP1.5 & JP1.6 GND Pins (20071208_DVT)
 20080130_PVT
 JP1 Footprint name change to: FPC_R0P7X5-P1_4P



Change pin out for layout trace (20071031)
 D2.6 change to D2.4



Add FD1-FD4 (20071207)



CLKSEL1	CLKSEL0	CRYSTAL CLOCK SELECT FREQUENCY
0	0	6 MHz
0	1	12 MHz

Trace as short as possible 3 vias to GND plane

Trace as short as possible 3 vias to +3VS plane

Security Classification		Compal Secret Data		Title	
Issued Date	2008/4/11	Deciphered Date	2009/4/11	Compal Electronics, Inc.	
				SCHEMATIC FINGERPRINT/B S4201	
Size	Document Number	Date:		Rev	C
Custom	4059L2	Monday, April 21, 2008		Sheet	1 of 1

THIS SHEET OF ENGINEERING DRAWING IS THE PROPRIETARY PROPERTY OF COMPAL ELECTRONICS, INC. AND CONTAINS CONFIDENTIAL AND TRADE SECRET INFORMATION. THIS SHEET MAY NOT BE TRANSFERRED FROM THE CUSTODY OF THE COMPETENT DIVISION OF R&D DEPARTMENT EXCEPT AS AUTHORIZED BY COMPAL ELECTRONICS, INC. NEITHER THIS SHEET NOR THE INFORMATION IT CONTAINS MAY BE USED BY OR DISCLOSED TO ANY THIRD PARTY WITHOUT PRIOR WRITTEN CONSENT OF COMPAL ELECTRONICS, INC.