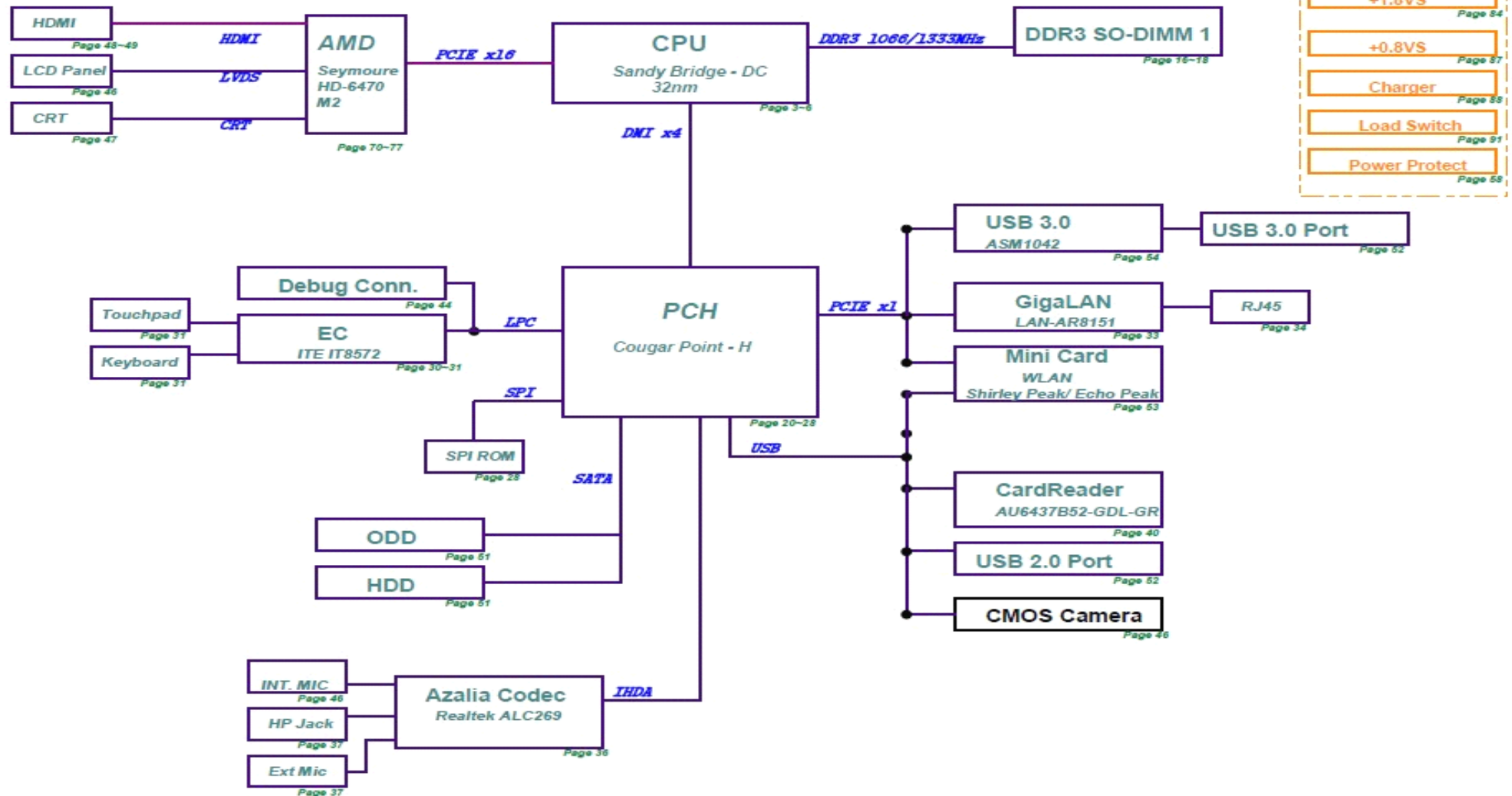


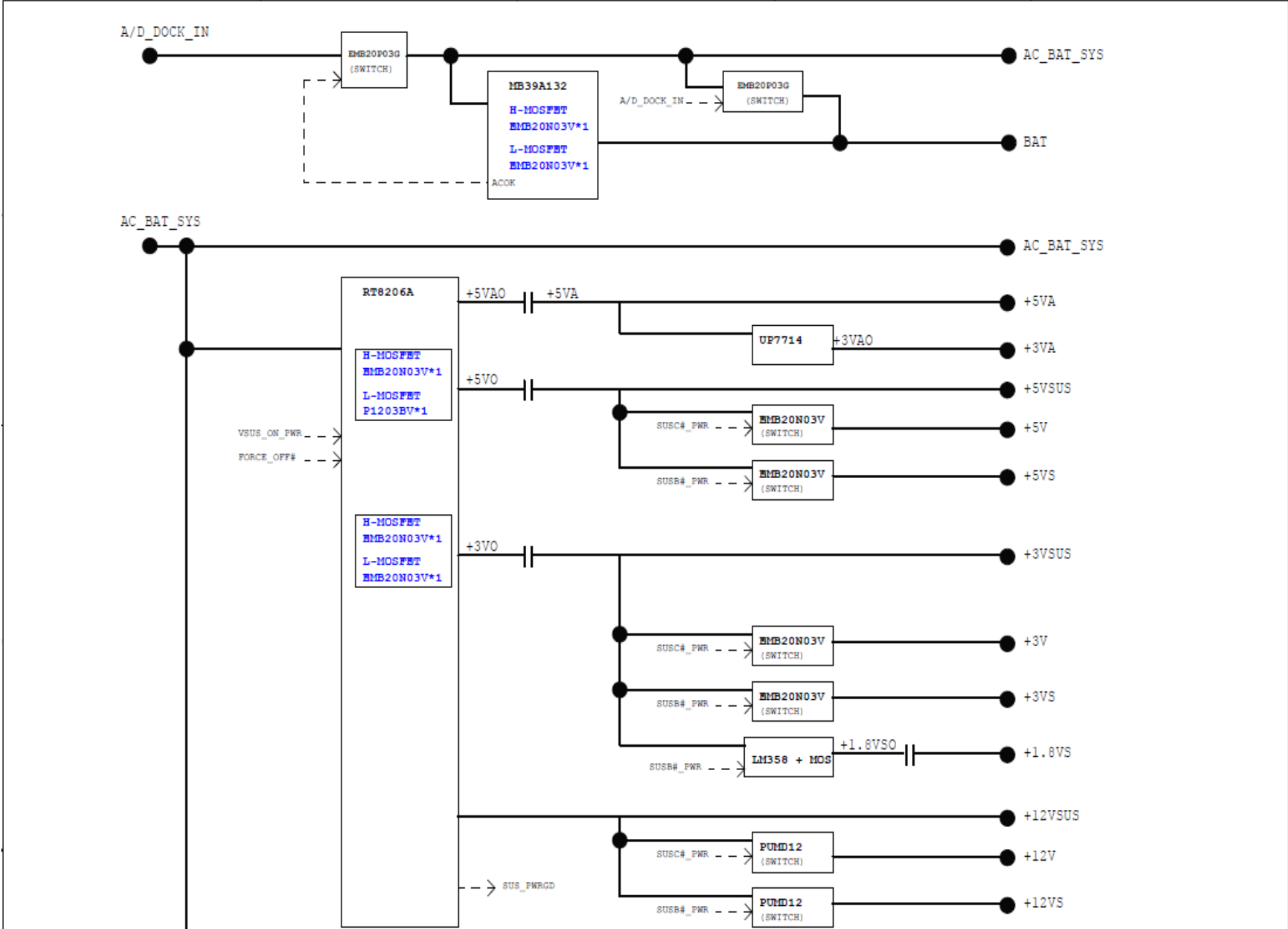
K54HR Repair Guide

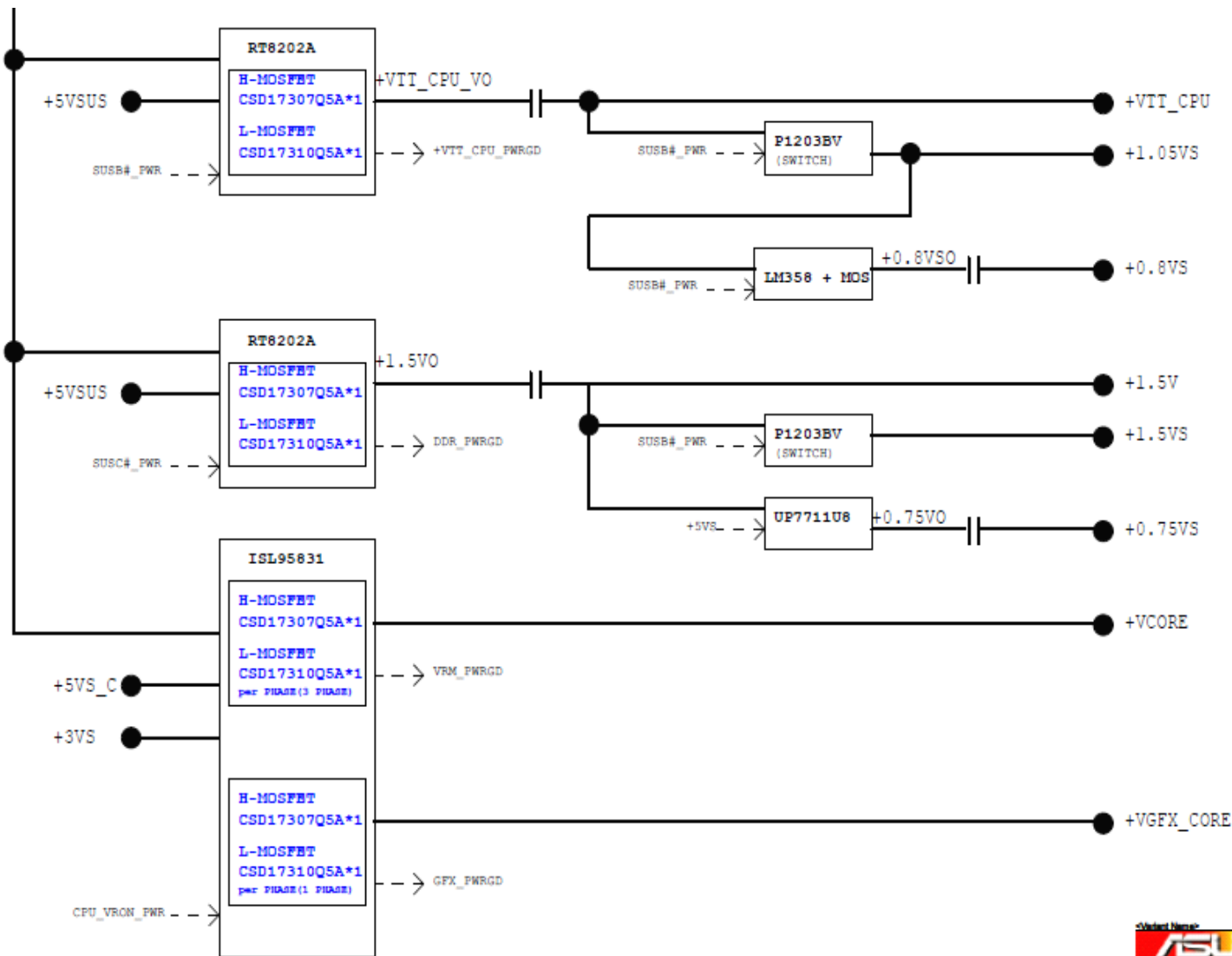
BLOCK DIAGRAM

K54LY SCHEMATIC Revision 2.1

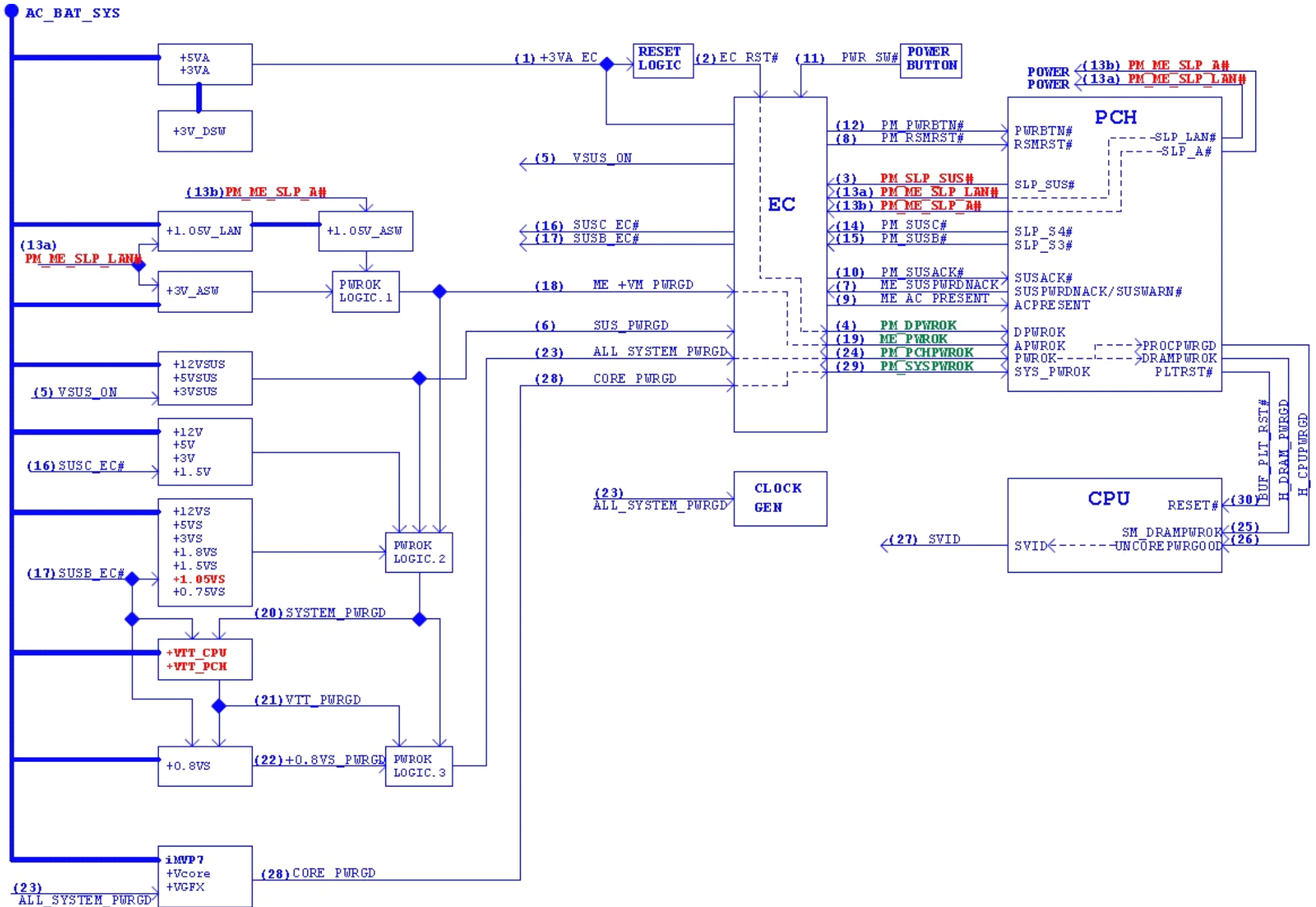


POWER FLOW

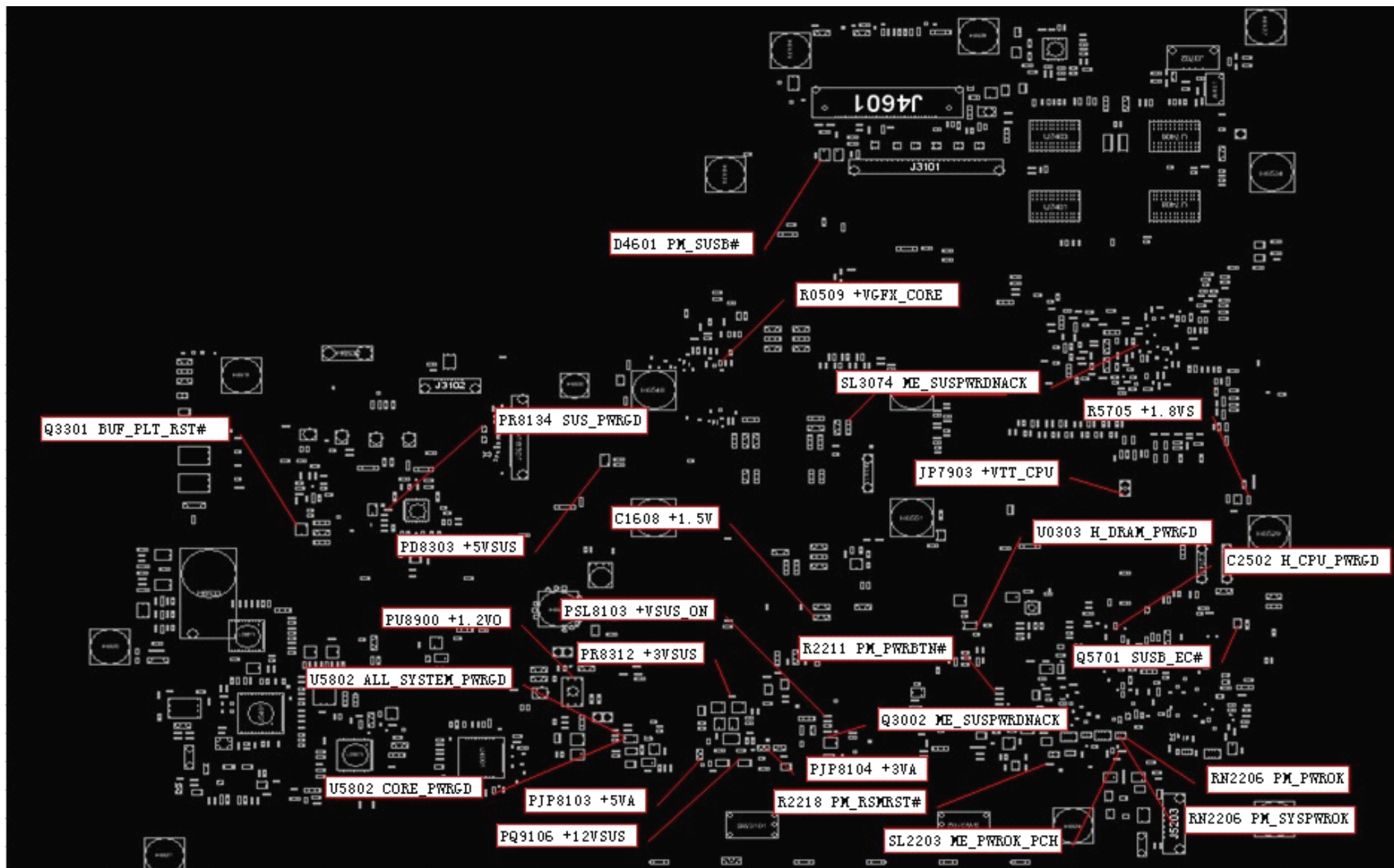




POWER ON SEQUENCE



Voltage & Signal Measure Point TOP



Voltage & Signal Measure Point Bottom

